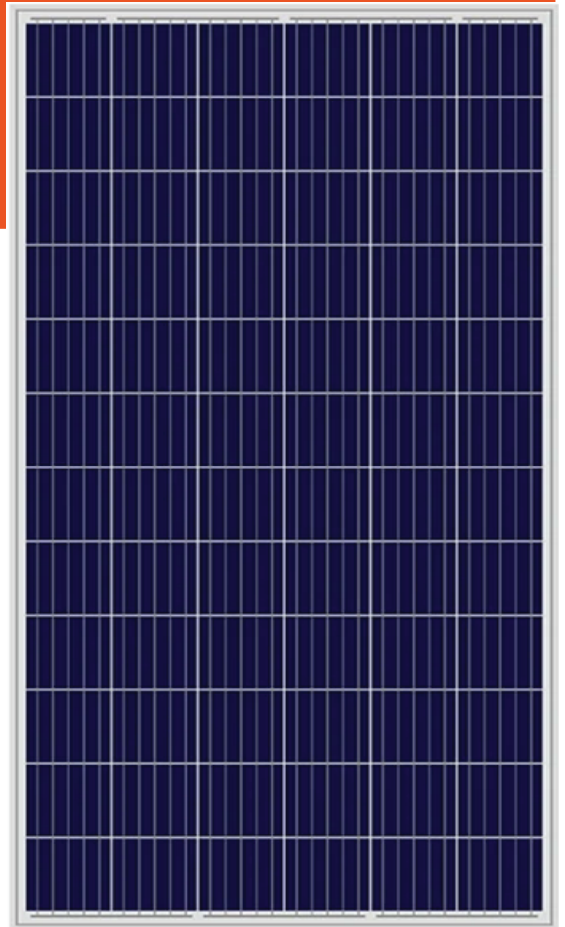


Lyrd Polycrystalline Solar PV Modules

72_{CELLS}
300 to 335_{WATT}

Qualifications & Certificates

IEC 61215, IEC 61730, CE, ISO 9001: 2015,
 ISO 14001: 2015, OSHSAS, PV Cycle,
 IS14286



Power Tolerance

Guaranteed positive power tolerance [0 to +4.99Wp]



5 Busbar Solar Cell

Improves the efficiency of the modules and offers a better aesthetic appeal, making it perfect for rooftop installations.



High Efficiency

High module conversion efficiency (up to 17.23%), through state-of-the-art module manufacturing technology.



Low-Light Performance

Advanced glass and solar cell surface texturing allow for excellent performance in low-light environments.



Severe Weather Resilience

Certified to withstand a wind load of 2400 pascal and snow load of 5400 pascal.



Voltage Ratings

Available in both 1000V or 1500V system voltage rating.



Extreme Weather Durability

High salt mist and ammonia resistance certified by TUV.

30 Years
 PERFORMANCE
 GUARANTEE



12 Years
 PRODUCT
 WARRANTY

17.23%
 EFFICIENCY

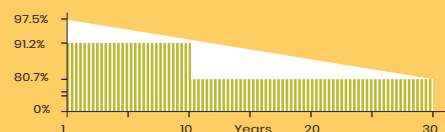


Dimensions (L/W/H)
 1961x 991x 40mm



Weight
 22Kg

30 years Linear Warranty



Novus Green

ELECTRICAL PARAMETERS AT STANDARD TEST CONDITIONS(STC)

Module Type	NGxxx-5BB (xxx=Pmax)							
Power Output Pmax (Wp)	335	330	325	320	315	310	305	300
Power Output Tolerances			Δ Pmax (Wp)		0 to + 4.99			
Module Efficiency (%)	17.20	17.00	17.00	17.00	16.20	16.00	15.70	15.40
Voltage at Pmax Vmpp (V)	37.80	37.60	37.20	37.00	36.90	36.60	36.40	36.20
Current at Pmax Impp (A)	8.86	8.80	8.70	8.60	8.55	8.48	8.41	8.33
Open-Circuit Voltage Voc (V)	46.00	46.00	46.00	46.00	45.60	45.50	45.40	45.30
Short Circuit Voltage Isc (A)	9.31	9.20	9.10	9.10	8.98	8.90	8.82	8.74

ELECTRICAL PARAMETERS AT NOMINAL OPERATING CELL TEMPERATURE (NOCT)

Power Output Pmax (Wp)	249	246	242	238	234	230	227	223
Voltage at Pmax Vmpp (V)	34.90	34.60	34.50	34.40	34.30	33.80	33.30	32.70
Current at Pmax Impp (A)	7.10	7.10	7.00	6.90	6.80	6.70	6.60	6.50
Open-Circuit Voltage Voc (V)	42.90	42.70	42.60	42.50	42.30	41.60	41.00	40.40
Short Circuit Voltage Isc (A)	7.60	7.60	7.50	7.50	7.40	7.30	7.20	7.10

THERMAL CHARACTERISTICS

Nominal Operating Cell Temperature	NOCT	°C	46 +/-2
Temperature Coefficient Of Pmax	Pmax	%/°C	-0.42
Temperature Coefficient Of Voc	Voc	%/°C	-0.32
Temperature Coefficient Of Isc	Isc	%/°C	0.05

PACKAGING SPECS

Number of Modules per Pallet	26
No of Pallets per 40' Container	22
Packing Box Dimensions	2000 x 1130 x 1116mm
Box Weight	680

OPERATING CONDITIONS

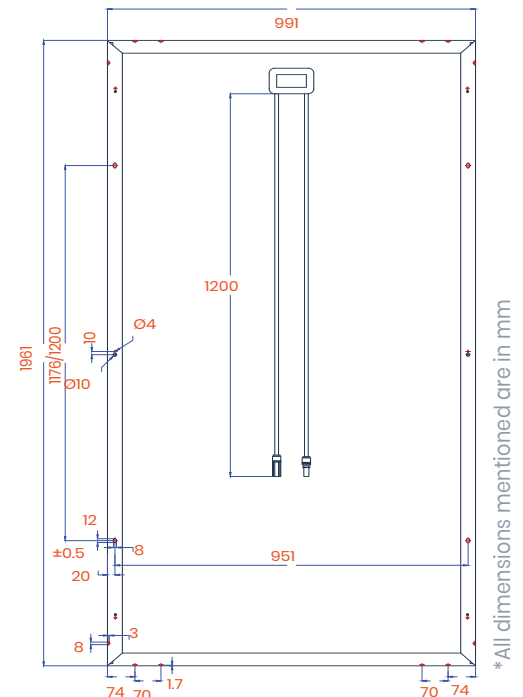
Max. System Voltage	1500VDC
Max. Series Fuse Rating	15A
Limiting Reverse Current	15A
Operating Temperature Range	-45°C to 85°C
Max. Static Load, Front (eg., snow)	5400Pa
Max. Static Load, Back (eg., wind)	2400Pa
Max. Hailstone Impact (Diameter/ Velocity)	25mm / 23m/s

CONSTRUCTION MATERIAL

Front Cover (Material / Thickness)	Low-iron Tempered Arc Glass / 3.2mm
Cell (Quantity / Material / Dimensions /Number Of Busbars)	72 / Multicrystalline Silicon / 157mm x 157mm (+/-0.25) / 5
Frame (Material)	Anodized Aluminum Frame
Junction Box (Protection Degree)	≥ IP67
Cable (Length / Cross-sectional Area)	1200mm / 4mm ²
Plug Connector(Type / Protection Degree)	MC4 / IP68

Due to continuous innovation, research and product improvement, the specifications in this product information sheet are subject to change without prior notice. The specifications may deviate slightly and are not guaranteed.

Warning: Read the Installation and User Manual in its entirety before handling, installing and operating Novus Green Solar modules.



STC: 1000W/m² irradiance, 25°C module temperature, AM1.5g spectrum according to EN 60904-3. Average relative efficiency reduction of 3.3% at 200W/m² according to EN 60904-1.

NOCT: open-circuit module operation temperature at 800W/m² irradiance, 20°C ambient temperature, 1m/s wind speed.

Address: Plot. No: 100, "SIDDHI", P&T Colony, Trimulgherry, Secunderabad - 500015, Telangana, India.
Mail: sales@novusgreen.in **Phone :** 040-6999-3245