

High Performance Full Cell Photovoltaic Modules

5BB MONO PERC CRYSTALLINE MODULE 325W-330W-335W-340W

Key Features:

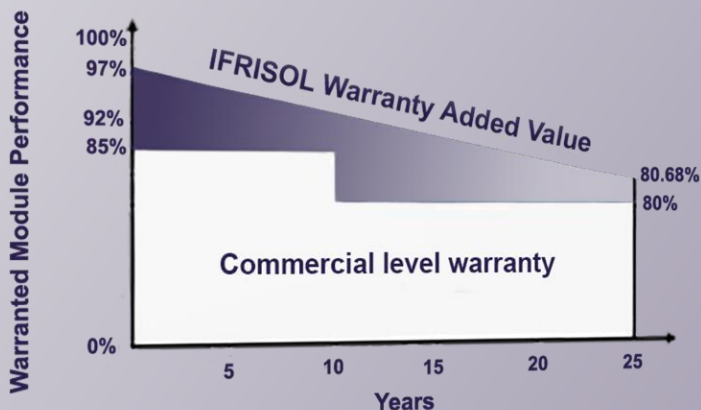
-  High Efficiency Mono Perc Solar Cells
-  Higher Power Output
-  High Snow (5400Pa) and Wind Loads (2400Pa)
-  Excellent Outstanding Weather-Resistance
-  Dual EL Inspection
-  Excellent Low Light Performance



Linear High Performance Guaranteed

10 Years Product Warranty on 90.88% of the Nominal Performance¹

25 Years Linear Power Output Warranty on 80.68% of the Nominal Performance¹



Certifications

- IEC 61215, IEC 61730: ID 1111220240
- IEC 61701:2011, EN 61701:2012: ID 1111223964
- IEC 62716:2013, EN 62716:2013: ID 1111223965
- IS 14286 / IEC 61215, IS/IEC 61730 - 1&2: R- 41151432
- Management system TÜV-Certified**
- ISO 9001:2015: ID 011001317684
- ISO 14001: 2015: ID 011041317684
- ISO 45001:2018: ID 011131815622



¹According to the IFRI-SOL Product and Performance Warranty

IF-M325-60 IF-M330-60 IF-M335-60 IF-M340-60

Electrical Specification

Module Type	Nominal Power Pmpp	Nominal Voltage Umpp	Nominal Current Impp	Open Circuit Voltage (Uoc)	Short Circuit Current (Isc)	Module Conversion Efficiency
IF-M325-60	325Wp	34.07V	9.54A	41.15V	10.05A	19.59%
IF-M330-60	330Wp	34.49V	9.57A	41.38V	10.07A	19.89%
IF-M335-60	335Wp	34.90V	9.60A	41.62V	10.09A	20.19%
IF-M340-60	340Wp	35.31V	9.63A	41.86V	10.11A	20.49%

Electrical Data At STC (STANDARD TEST CONDITIONS): 1000W/m² Irradiance, 25°C Cell Temperature, AM1.5g Spectrum According to EN 60904-3.
Manufacturing Tolerance (Pmax,Voc,Isc) : ±3%

NMOT

Module Type	Nominal Power Pmpp	Nominal Voltage Umpp	Nominal Current Impp	Open Circuit Voltage (Uoc)	Short Circuit Current (Isc)
IF-M325-60	238.30Wp	31.40V	7.58A	38.00V	8.14A
IF-M330-60	242.10Wp	31.80V	7.62A	38.20V	8.15A
IF-M335-60	245.80Wp	32.15V	7.66A	38.40V	8.16A
IF-M340-60	249.50Wp	32.50V	7.70A	38.60V	8.17A

Electrical Data At NMOT: 800W/m² Irradiance, 20°C Ambient Temperature, 1m/s Wind Speed.
Manufacturing Tolerance (Pmax,Voc,Isc) : ±3%

Design

Front Glass	3.2mm High Transmission Low Iron Tempered Glass, AR Coated
Encapsulant	Ethylene Vinyl Acetate (E.V.A)
Cell	5BB PERC Mono-Crystalline /158.75 ×158.75mm/ 60 Pcs
Backside	Composite Film (White, Black, ...)
Frame	35mm Anodized Aluminum (Silver/Black)

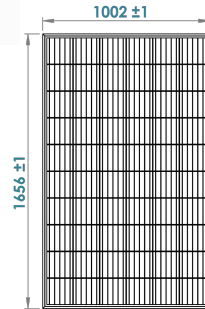
Power Connection

Junction Box	IP68 Junction Box With 3 Bypass Diodes
Solar Cable	Length 1200 mm , 4mm ² Prefabricated with latching type connectors
Safety Class	Class II (According to IEC 61140)

Packaging specification

Dimensions (L×W ×H)	1681mm ×1150mm×1145 mm
Modules Qty per Carton	31
Modules Qty per Container 20"	372
Modules Qty per Container 40" HC	938

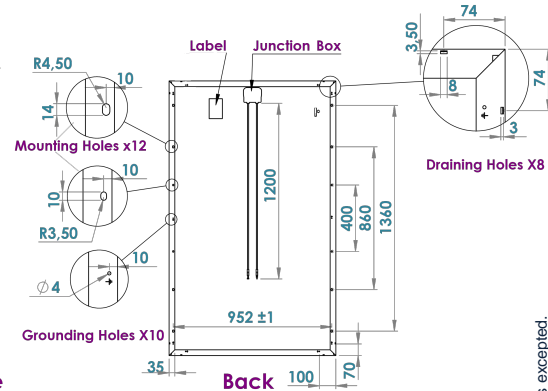
Drawings



Front



Side



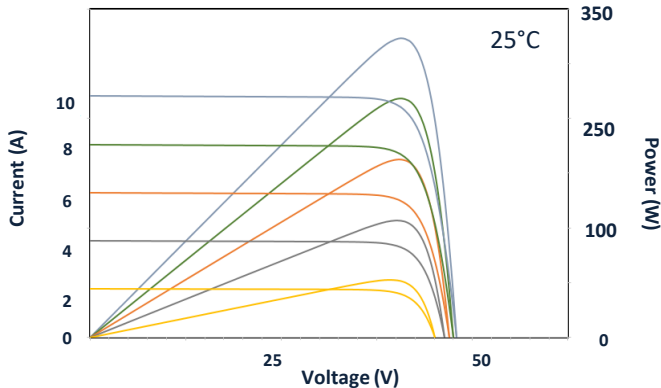
Back



Frame

Tolerance: ±1mm

Current-Voltage/Power-Voltage Curves, IF-M330-60



Mechanical Specification

Dimensions (L×W ×H)	1656mm×1002mm ×35mm (±1mm)
Weight	19.7Kg

Performance at low irradiance :

Outstanding performance at low irradiance, with an average relative efficiency of 96.48% from irradiances, between 1000 W/m² and 200 W/m² (AM 1.5, 25°C).

Temperature Coefficients

Voltage Uoc (β)	-0.30%/°C
Current Isc (α)	+0.06%/°C
Output Power (γ)	-0.38%/°C
NMOT	45±2°C

Operating conditions

Maximum System Voltage	1500VDC
Maximum Series Fuse	20A
Operating Temperature Range	From -40°C to 85°C
Mechanical Load Test (Front/back)	5400Pa/2400Pa

CAUTION: READ SAFETY AND INSTALLATION INSTRUCTIONS BEFORE USING THE PRODUCT.
© 2019 IFRI-SOL. All rights reserved.

For more information on IFRI-SOL products please visit WWW.ifrisol.solar Contact us at contact@ifrisol.solar or call us at +216 73 381 853