

RSI-LF Series Low Frequency Solar Inverter

Feature:

- Rated power 1kw to 6kw
- Pure sine wave output
- Powerful charge rate up to 70Amp
- Built-in MPPT solar charge controller 40A/60A
- MPPT efficiency max 98%
- Built-in pure copper UI transformer
- DIP Switch offer customized performance
- High Efficiency Design & "Power Saving Mode" to Conserve Energy
- Supporting RS232 communication, AGS, BTS port
- Remote control panel (optional)
- Compatible to generator



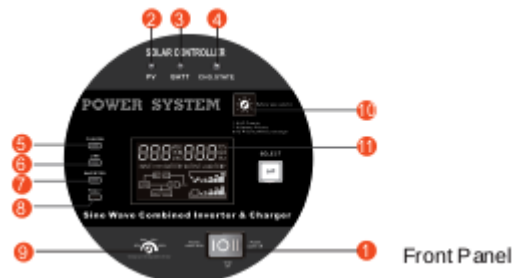
Introduction:

This is a multi-function inverter, combining functions of inverter and mppt solar charger controller, solar charger and battery charger to offer uninterruptible power support with portable size. The comprehensive LCD display offers user-configurable and easy-accessible button operation such as battery charging current, AC/solar charger priority, and selectable input voltage based on different applications.

Back Panel

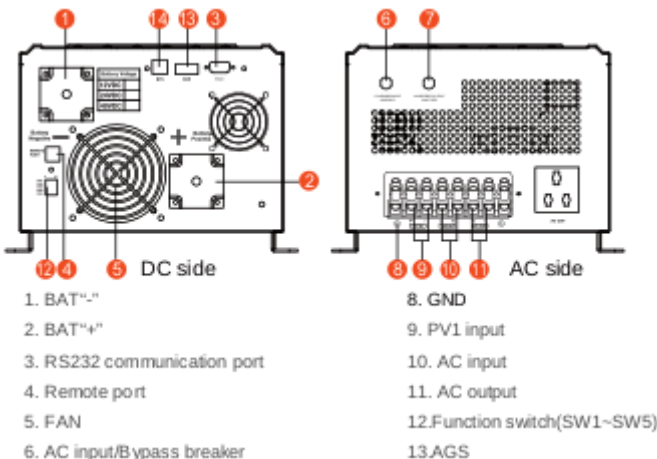


LCD/LED Display Information



1. Switch	Power saver auto: Power on with saver mode(power saver \leq 25W) Unit off: Power totally off(If there is AC power, inverter have charger function) Power saver off: Power on without saver mode
2.	PV voltage normal
3.	Battery voltage normal
4.	Charging
5.	AC Charge
6.	AC power on
7.	inverter mode
8.	check inverter
9.	Charge current adjustable:25%,50%,75%,100%. (Optional)
10.	Battery type selector
11.	LCD display

Solar System Connection



SPECIFICATION

MODEL		RSI-1K- LF	RSI-1.5K- LF	RSI-2K- LF	RI-3K- LF	RSI-4K- LF	RSI-5K- LF	RSI-6K- LF							
Nominal Battery System Voltage		12/24VDC	12/24VDC	12/24VDC	12/24VDC	24/48VDC	24/48VDC	24/48VDC							
INVERTER OUTPUT	Rated Power	1KW	1.5KW	2KW	3KW	4KW	5KW	6KW							
	Surge Rating (20ms)	3KW	4.5KW	6KW	9KW	12KW	15KW	18KW							
	Capable Of Starting Electric Motor	1HP			2HP			3HP							
	Waveform	Pure sine wave/ same as input (bypass mode)													
	Nominal Output Voltage RMS	100V/110V/120VAC or 220V/230V/240VAC					220V/230V/240VAC								
	Output Voltage Regulation	+/-10% RMS													
	Output Frequency	50Hz/60Hz +/-0.3 Hz													
	Inverter Efficiency(Peak)	>88%													
	Line Mode Efficiency	>95%													
	Power Factor	0.8			1.0										
Typical Transfer Time	10ms(max)														
AC INPUT	Voltage	230VAC													
	Selectable Voltage Range	96~132VAC or 155~280VAC(For Personal Computers)													
	Frequency Range	50Hz/60Hz (Auto sensing) 40-80Hz													
BATTERY	Minimum Start Voltage	10.0VDC / 10.5VDC for 12VDC mode (*2 for 24VDC, *4 for 48VDC)													
	Low Battery Alarm	10.5VDC +/-0.3V for 12VDC mode (*2 for 24VDC, *4 for 48VDC)													
	Low Battery Cutoff	10.0VDC +/-0.3V for 12VDC mode (*2 for 24VDC, *4 for 48VDC)													
	High Voltage Alarm	16.0VDC +/-0.3V for 12VDC mode (*2 for 24VDC, *4 for 48VDC)													
	High Battery Voltage Recover	15.5VDC +/-0.3V for 12VDC mode (*2 for 24VDC, *4 for 48VDC)													
	Idle Consumption-Search Mode	<25W when power saver on					<50W when power saver on								
CHARGER	Output Voltage	Depends on battery type													
	Charger AC Input Breaker Rating	10A	15A	30A				40A							
	Overcharge Protection S.D.	15.7VDC for 12VDC mode (*2 for 24VDC, *4 for 48VDC)													
	Maximum Charge Current	35A	20A	45A	25A	65A	35A	75A	45A	65A	35A	70A	40A	75A	50A
BYPASS & PROTEC-TION	Input Voltage Waveform	Sine wave (grid or generator)													
	Nominal Input Frequency	50Hz or 60Hz													
	Overload Protection (SMPS Load)	Circuit breaker													
	Output Short Circuit Protection	Circuit breaker													
	Bypass Breaker Rating	10A	15A	30A				40A							
	Max Bypass Current	30Amp							40Amp						
SOLAR CHARGER	Maximum PV Array Power	600 W	1200 W	600 W	1200 W	600 W	1200 W	600 W	1200 W	1600W	3200 W	1600 W	3200W	1600 W	3200 W
	Maximum PV Charge Current	40A							60A						
	DC Voltage	12V/24V atuo work							24V/48V atuo work						
	MPPT Range @ Operating Voltage	16~100VDC							32~145VDC @ 24V / 64~145VDC @ 48V						
	Maximum PV Array Open Circuit Voltage	100VDC							145VDC						
	Maximum Efficiency	>90%							>98%						
	Standby Power Consumption	<2W													
MECHANI-CAL SPECIFI-CATIONS	Mounting	Wall mount													
	Dimensions (W*H*D)	423*247*197mm							97*247*197mm						
	Net Weight (kg)	18.5	18.4	19.5	19.4	23.5	32.2	28.7	27	41.3	39.4	50.4	48.8	51.8	49.2
	Shipping Dimensions(W*H*D)	570*355*300mm							743*372*312mm						
	Shipping Weight (kg)	21.5	21.4	22.4	22.5	25.8	25.6	31.2	29.6	44.7	42.8	54	52.4	55.7	53.1
OTHER	Operation Temperature Range	0°C to 40°C													
	Storage Temperature	-15°C to 60°C													
	Audible Noise	60dB MAX													
	Display	LED+LCD													
	Loading(20GP/40GP/40HQ)	460pcs / 920pcs / 1060pcs							320pcs / 640pcs / 750pcs						

*Product specifications are subject to change without further notice.

Approximate Back-up Time Table

Power Rate(w)	backup time(H) @1*100Ah	backup time(H) @2*100Ah	backup time(H) @4*100Ah	backup time(H) @4*200Ah	backup time(H) @8*200Ah
1000	0.4806	1.602	3.50304	7.6896	
2000	0.2136	0.4806	1.602	3.50304	7.6896
3000	0.1068	0.2848	0.8544	2.136	4.8416
4000		0.2136	0.4806	1.602	3.50304
5000		0.12816	0.34176	1.19616	2.73408
6000		0.1068	0.2848	0.8544	2.136