

Poly-crystalline Modules (72Cells)

HJT-166-72MH

405~425W

18.63%~19.55%

PRODUCT CHARACTERISTICS

- ◆ Light weight, easy to install, high cost performance, high efficiency
- ◆ Module certified to withstand extreme wind (2400 Pascal) and snow loads (5400 Pascal)
- ◆ Guaranteed output: 0~+5W
- ◆ Excellent performance in weak light condition, such as cloudy, morning and sunset
- ◆ Independently certification by international certification authorities, include IEC61215,IEC61730,CE

LINEAR WARRANTY AND CERTIFICATION

1st
YEAR

1st year Power output not less than 98%

12
YEAR

Warranty for product materials and processes within 12 years



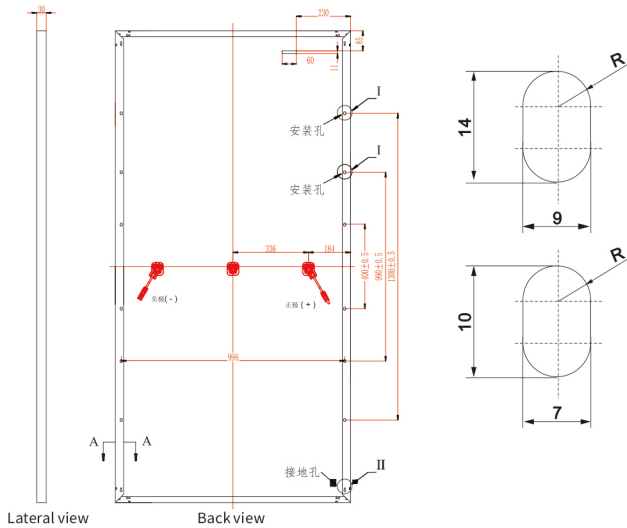
12
YEAR

Power output not less than 89.8% within 12 years

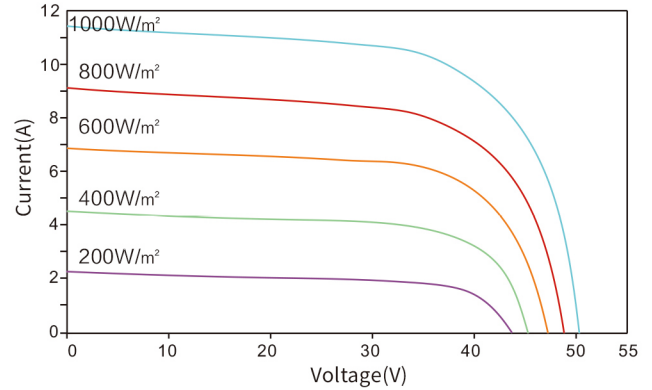
25
YEAR

Power output not less than 80.7% within 25 years

Assembly Drawing



I-V Curve (425W)



Limit Parameters

Operating temperature	-40°C to +85°C
Maximum fuse current rating	20A

Mechanical Characteristics

Cell type	166×83mm poly-crystalline silicon solar cells, a group of 144 cells (6×24)
Glass	3.2 mm thick low-iron tempered glass with high light transmittance
Junction Box	IP Grade: IP68

Temperature Rating

Nominal Module Operating Temperature (NMOT)	42°C±2°C
Maximum Power (Pmax) Temperature Coefficient (δ (%/°C))	-0.36
Open-circuit voltage (Voc) Temperature coefficient (β (%/°C))	-0.28
Short circuit current (Isc) Temperature coefficient (α (%/°C))	0.05

Physical Parameter

Dimension	2094*1038*30mm
Mounting hole size	400*996,990*996,1300*996mm
Cable Length	+250mm,-150mm; Customizable
Weight	24Kg

Mode of Packing

40 Feet Container	Pieces per case	36 pcs/case
	Quantity per pallet	2 case/pallet
	Pieces per container	792pcs

Parameters of Module

Electrical parameters (Standard test condition)	HJT-72-405MH	HJT-72-410MH	HJT-72-415MH	HJT-72-420MH	HJT-72-425MH
Maximum power-Pmax(Wp)	405	410	415	420	425
Maximum operating voltage -Vmp(V)	38.91	39.13	39.34	39.55	39.76
Maximum operating current -Imp(A)	10.41	10.48	10.55	10.62	10.69
Open-circuit voltage -Voc(V)	47.39	47.59	47.79	47.99	48.19
Short-circuit current -Isc(A)	10.97	11.05	11.13	11.21	11.29
Maximum system voltage -Vdc(V)	1000/1500	1000/1500	1000/1500	1000/1500	1000/1500
Module efficiency(%)	18.63%	18.86%	19.09%	19.32%	19.55%
Power tolerance(W)	0/+5W	0/+5W	0/+5W	0/+5W	0/+5W

Measured values under STC (temperature 25°C, air quality AM1.5, irradiance 1000W/m²)



Disclaimer: We reserve all the right for the final interpretation.
Specifications in this Data Sheet are subject to change without prior notice.

Address: Intersection of Wenxi Road and Ningmao Road, Guozhuang Town, Jurong City, Jiangsu Province.

Email : sales@jrhengjia.cn | Web : http://www.hjtsolar.cn