



## YS240-245SP/Polycrystalline Single Glass 54 Series

### 240W/245W

**10**  
Years  
Product warranty

**25**  
Years  
Linear power  
output  
Warranty



### High output efficiency

PID Free ensuring high efficiency output of the system.



### Superior weak light effect

Excellent module efficiency in the weak light conditions.



### Excellent loading capacity

Passed mechanical load testing 5400Pa



### Strong adaptability

Passed TUV salt mist and ammonia resistance testing.



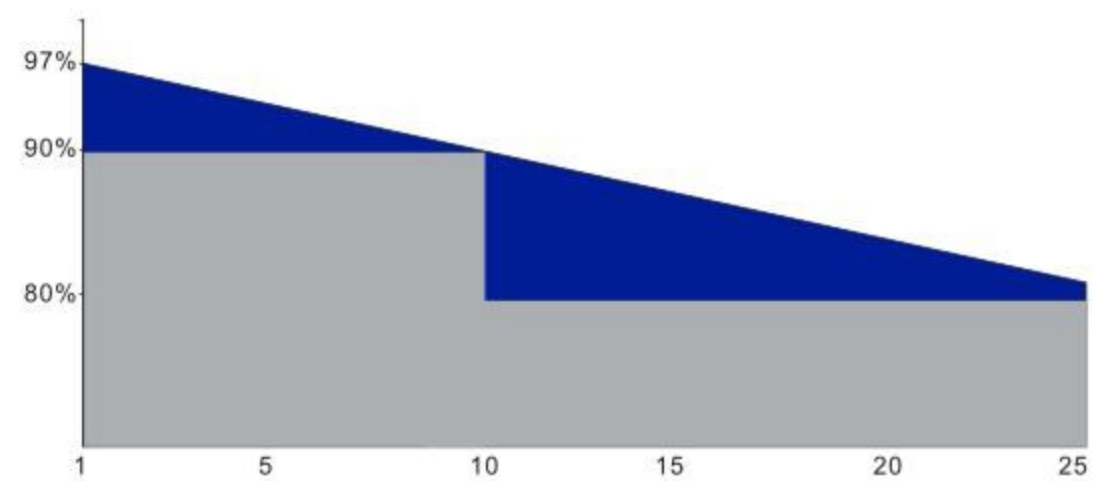
### Easy Installation

Suitable for a variety of applications



### Durability

High quality raw materials and fine workmanship



GREEN ENERGY PRODUCTS



Tel: +86 753 2880123

Email: [info@gdyssolar.com](mailto:info@gdyssolar.com)

Web: [www.gdyssolar.com](http://www.gdyssolar.com)

Guangdong Yaosheng Solar Technology Co., Ltd.

## SPECIFICATION

Module	YS240SP-54	YS245SP-54
Maximum Power (Pmax W)	240	245
Open-circuit Voltage (Voc V)	33.38	33.98
Maximum Power Voltage (Vmp V)	27.33	27.65
Short-circuit Current (ISC A)	9.30	9.35
Maximum Power Current (Imp A)	8.78	8.85
Module Efficiency STC (%)	16.35	16.69
Power Tolerance	0~+5W	
Temperature coefficients of Isc(A-Isc)	+0.037%/°C	
Temperature coefficients of Voc(B-Voc)	-0.34%/°C	
Temperature coefficients of Pmax(C-Pmp)	-0.48%/°C	
Standard Testing Condition(STC)	Irradiance 1000W/ m <sup>2</sup> , Cell Temperature 25°C ± 2 , AM1.5G	

Remark: The technical specification belongs to Polycrystalline 54-cell module only.

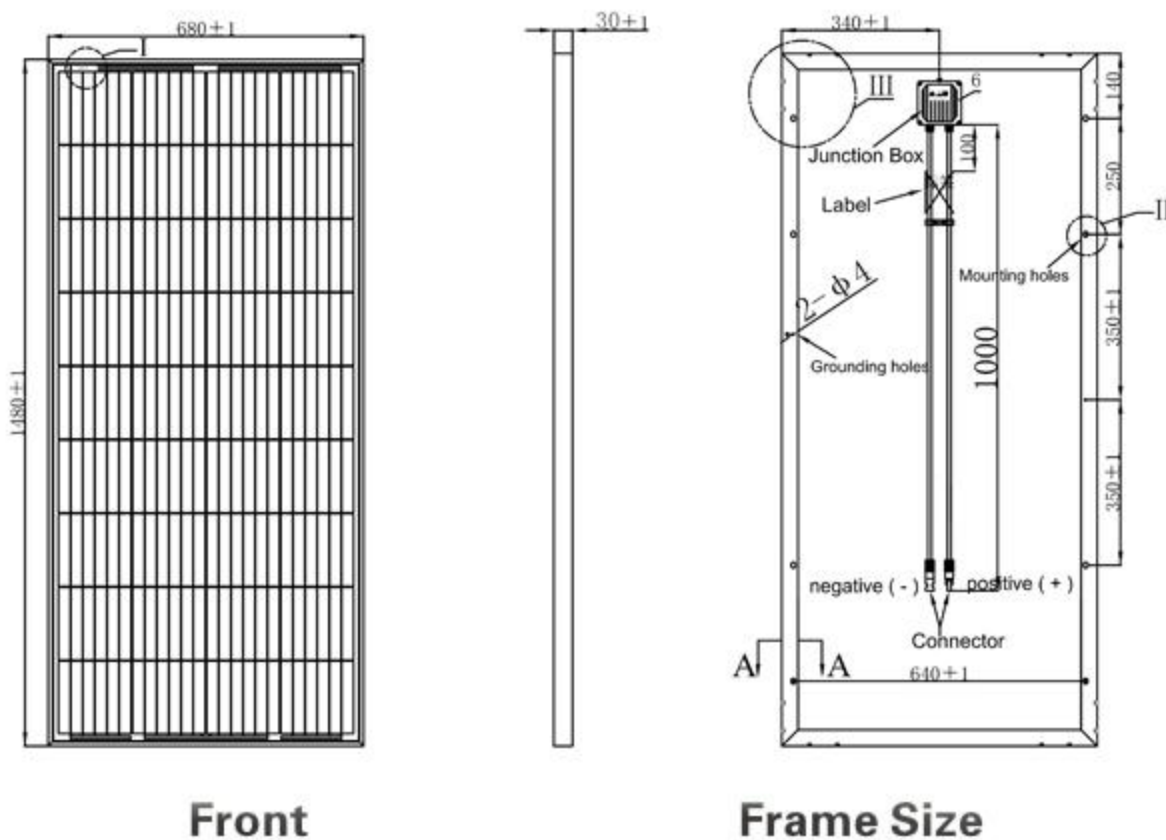
## SPECIFICATION

Module Type	Polycrystalline
Dimension	1480*992*30 (mm)
Weight	16.2 (kg)
No. of Cells	54(pcs)
Packing	30 sets/ctn

## APPLICATION

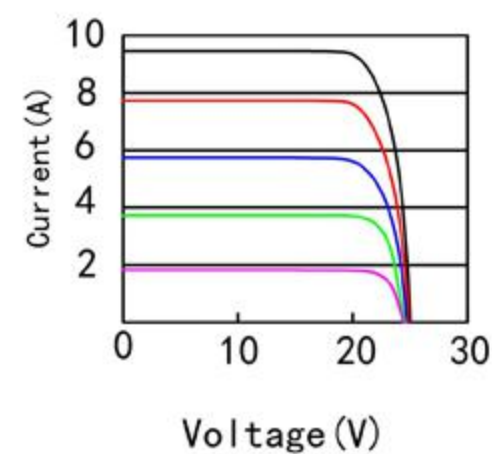
Maximum System Voltage	1000V/1500V DC(IEC)
Operating Temperature	-40°C~+85°C
Maximum Series Fuse Rating	20A
Nominal Operating Cell Temperature (NOCT)	45 ± 2°C
Application Class	Class A

## Engineering Drawing



## Linear Characteristic

Current-Voltage Curve



power-Voltage Curve

