

THPW600-ETL

600WATT / 1200WATT PEAK

POWERS UP TO 6 AMPS



THE CHOICE FOR PERFORMANCE

THPW600-ETL



Intertek

PURE SINE WAVE INVERTER

THOR inverters have set the standard with the way you deal with your mobile power needs, providing AC electricity. A power inverter converts the DC electricity from batteries into everyday AC power.

With a THOR inverter you won't need to rely on a generator to have power for tools, electronics or any AC power needs. THOR inverters are efficient and dependable and come in numerous sizes and power ranges to meet your mobile power demands.

Design Features

- 600 Watts Continuous Output
- 1200 Watt High Surge Power
- 2 x GFCI Protected 120 Volt AC Outlets
- Compatible with all THOR Remote Controls
- USB Charging Port
- Rugged Aluminum Design
- Compatible with Appliances <= 600 watts
- Digital Display
- Easy Installation

Accessories

TH-002



TH-RC



TH-IRC



Remote Controls



Cables
(4AWG - 10 Feet)
THCBL10F4AWG



Fuses
THANLFB60
60 Amp Fuse



Isolators
THI-80
80 Amp Isolator



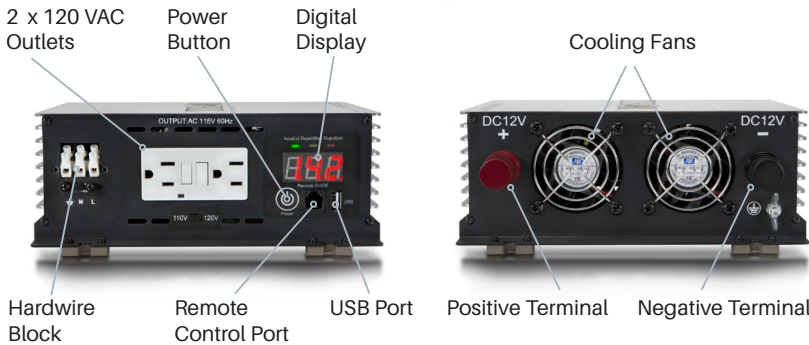
AC Extension
TH-EXT



Low Voltage Disconnect
TH-LVD



Transfer Switch
THTS30



Specifications

DC Input Voltage	12 Vdc
DC Input Voltage range	10.7 - 16.5 Vdc
Maximum Output Current	6 Amps
Continuous Output Power	600 Watts
Max Output for 10 Min - 10% over inverters rated continuous wattage	650 Watts
Surge Output Power	1200 Watts
Peak Efficiency	85-90%
DC Input Connections	Nut and Bolt (M9)
AC Output Connection	2 x GFCI Protected 120 Volt AC outlets
Terminal Block for Hardwiring	Yes
Display	Digital Display With Error Codes

600 WATT PURE SINE WAVE INVERTER WITH USB



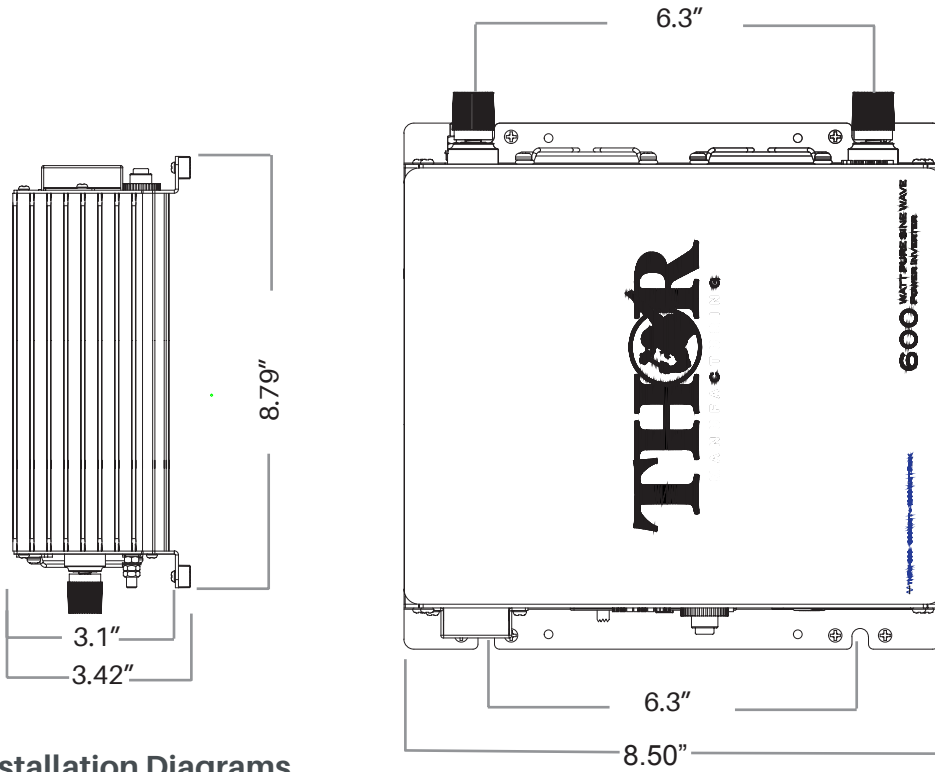
THOR MANUFACTURING

7050 W. Palmetto Park Rd. Suite 15
Boca Raton, FL

Phone: (866) 955-THOR
(866) 955-8467

Mail: sales@thorpowerproducts.com
Web: www.thorinverters.com

Dimensions



THPW600-ETL

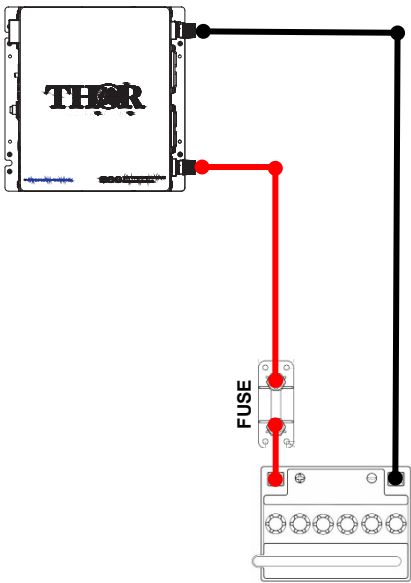
Dimensions: 8.5L x 8.5W x 3.34"H

Weight: 4.7 Lbs

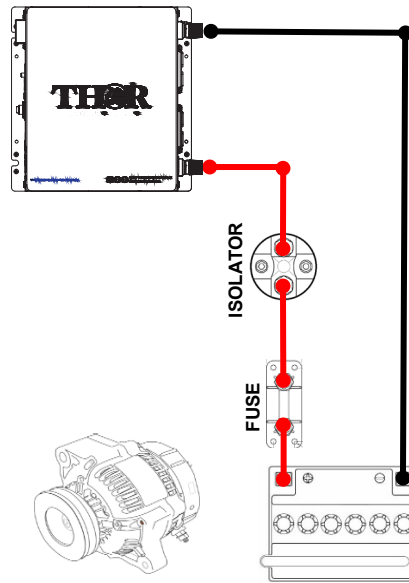
UPC Code: 852090008783

Warranty: 1 Year

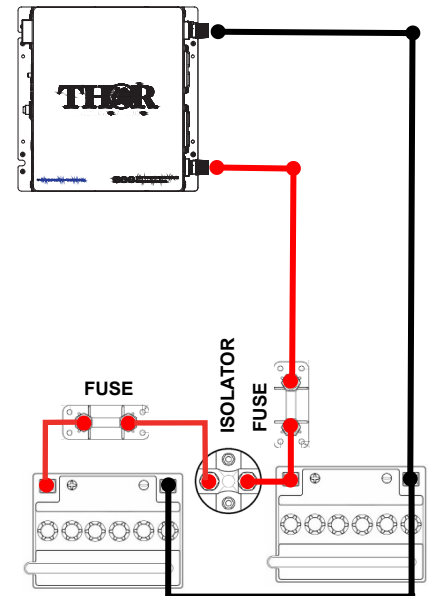
Installation Diagrams



STAND ALONE OR IN VEHICLE



VEHICLE IGNITION CONTROLLED



DUAL BATTERY INSTALLATION
ISOLATING VEHICLE BATTERY

Inverters are also available as Installation Kits (including the inverter)

THPW600-ETL-KIT 2



THPW600-ETL-KIT 3



THPW600-ETL-PRO KIT



THPW600-ETL-RV KIT



600 WATT PURE SINE WAVE INVERTER WITH USB



THOR MANUFACTURING

7050 W. Palmetto Park Rd. Suite 15
Boca Raton, FL

Phone: (866) 955-THOR
(866) 955-8467

Mail: sales@thorpowerproducts.com
Web: www.thorinverters.com