

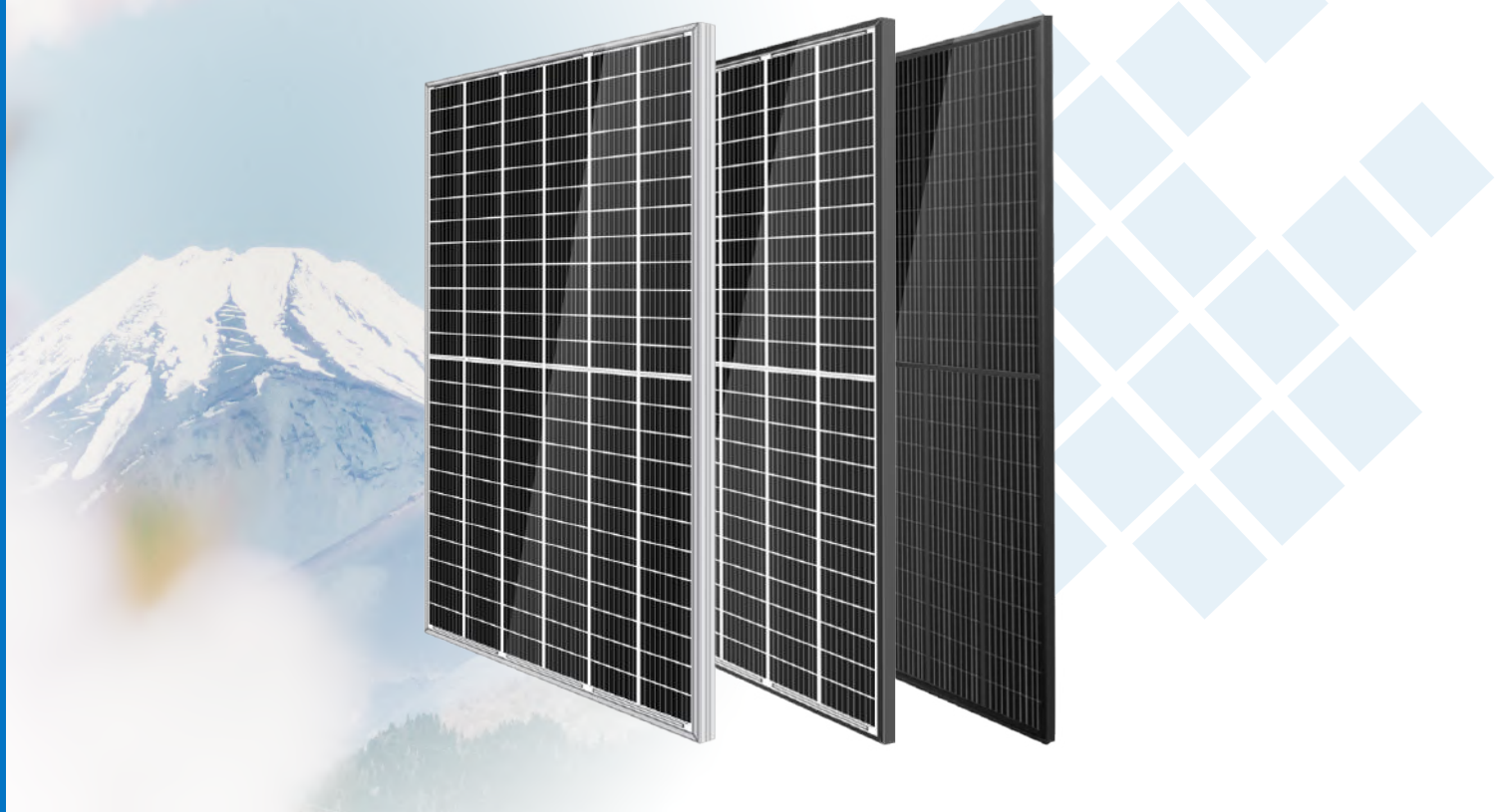


Monocrystalline

Polycrystalline

LP158*158-M-72-MH

Rated Power 390-415W



9BB Cell
More uniform current collection capability, reducing the current heat loss of the internal cells.



Low Light Features
Higher performance under low light environment.



Higher Output Power
The output power of 144 half-cells Monocrystalline modules is up to 415W.



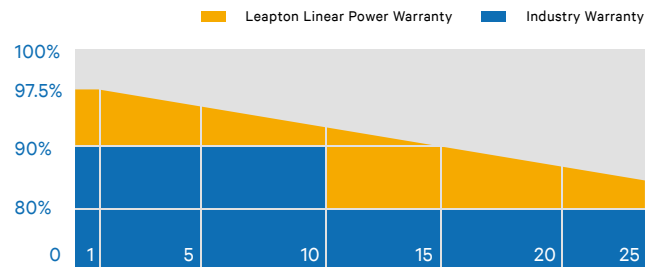
PID Protection
Ensure the attenuation probability caused by PID phenomenon is minimized.



Harsh Environmental Adaptability
Strict salt spray and ammonia corrosion test by TUV Nord.



Load Capacity
Mechanical load tests including wind load 2400 Pa and snow load 5400 Pa done by TUV Nord.



*J-PEC Product



Headquarter : Leapton Energy Co., Ltd.

Tosei Bldg. 6F, 1-2-1 Aioi-cho, Chuo-ku Kobe-shi, Hyogo, 650-0025, Japan

Manufacturer : Leapton Solar (Changshu) Co., Ltd.

No.9, Sunshine Avenue, Changshu City, Jiangsu, China

+81-78-382-3182

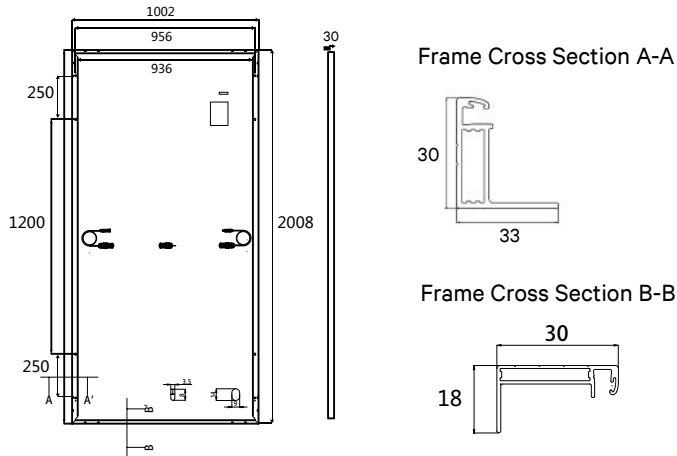
www.leaptonenergy.jp

+86-512-88800068

info@leaptonenergy.com

www.leaptonpv.com

MECHANICAL DIAGRAMS



SPECIFICATIONS

Weight	22.5kg
Dimensions	2008mm*1002mm*30mm
Cell Dimensions	158*158mm
Cell Amount	72*2 pcs
Maximum System Voltage	1000/1500V
Junction Box	IP68
Frame	Aluminum Alloy
Cable	4mm ² , Landscape: N 1300mm/P 1300mm Portrait: N 150mm/P 300mm
Connector	MC4 compatible
Application Level	Class A

ELECTRICAL PARAMETERS AT STC

	390W	395W	400W	405W	410W	415W
Power	390W	395W	400W	405W	410W	415W
Open Circuit Voltage	48.35V	48.55V	48.75V	48.95V	49.15V	49.35V
Short Circuit Current	10.44A	10.48A	10.52A	10.56A	10.60A	10.64A
Maximum Power Voltage	39.55V	39.90V	40.24V	40.58V	40.92V	41.25V
Maximum Power Current	9.86A	9.90A	9.94A	9.98A	10.02A	10.06A
Module Efficiency	19.4%	19.7%	19.9%	20.1%	20.4%	20.6%

* Under Standard Test Conditions (STC) of irradiance of 1000 W/m², spectrum AM 1.5 and cell temperature of 25°C.

ELECTRICAL PARAMETERS AT NMOT

	294W	298W	302W	305W	309W	312W
Power	294W	298W	302W	305W	309W	312W
Open Circuit Voltage	46.90V	47.10V	47.30V	47.50V	47.70V	47.90V
Short Circuit Current	8.13A	8.16A	8.19A	8.23A	8.27A	8.31A
Maximum Power Voltage	39.10V	39.30V	39.60V	39.90V	40.20V	40.50V
Maximum Power Current	7.53A	7.57A	7.61A	7.65A	7.69A	7.73A
Module Efficiency	14.6%	14.8%	15.0%	15.2%	15.4%	15.5%

* Under Nominal Module Operating Temperature (NMOT), irradiance of 800 W/m², spectrum AM 1.5, ambient temperature 20°C, wind speed 1 m/s.

TEMPERATURE CHARACTERISTICS

NMOT	41±3°C	Temp Coefficient of ISC	+0.05%/°C
Temp Coefficient of VOC	-0.28%/°C	Temp Coefficient of Pmax	-0.36%/°C

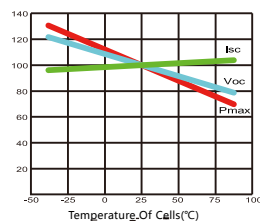
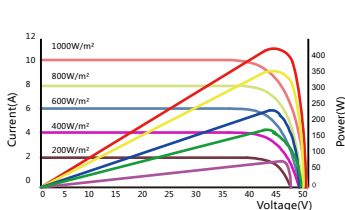
PACKING CONFIGURATION

Modules/Pallet	36 Pieces	Modules/40'Container	869 Pieces
Packing Description	22 Pallets, Total=(36+36+7)x11=869 Pieces		

CHARACTERISTICS

LP158*158-M-72-MH-390W

LP158*158-M-72-MH-390W



MAXIMUM RATING

Output Tolerance	0~+5W
Operating Temperature	-40°C~+85°C
Wind Load/Snow Load	2400pa/5400pa
Fuse Current	15A




Headquarter : Leapton Energy Co., Ltd.

☑ Tosei Bldg. 6F, 1-2-1 Aioi-cho, Chuo-ku Kobe-shi, Hyogo, 650-0025, Japan

☎ +81-78-382-3182

🌐 www.leaptonenergy.jp

Manufacturer : Leapton Solar (Changshu) Co., Ltd.

☑ No.9, Sunshine Avenue, Changshu City, Jiangsu, China

☎ +86-512-88800068

✉ info@leaptonenergy.com

🌐 www.leaptonpv.com