



fangpusun PR

PR 010, RP 515, RP 020, RP 030

The Fangpusun PR 10-30 series of charge controllers is the highlight in the range. The latest charging technologies, combined with a Fangpusun AtonIC state of charge determination which has been significantly improved once again, result in optimal battery maintenance and control of the module output of up to 900 Wp which can be connected to it. A large display informs the user about all operating modes with the aid of symbols. The state of charge is represented visually in the form of a tank display. Data such as voltage, current and state of charge can also be displayed digitally as figures on the display. In addition, the controller has an energy meter which can be reset by the user

Product features

- Hybrid controller
- State of charge determination with Fangpusun AtonIC (SOC)
- Automatic detection of voltage
- PWM control
- Multistage charging technology
- Load disconnection depending on SOC
- Automatic load reconnection
- Temperature compensation
- Common positive grounding or negative grounding on one terminal
- Integrated data logger
- Night light function
- Integrated self test
- Monthly maintenance charge

Electronic protection functions

- Electronic protection functions
- Overcharge protection
- Deep discharge protection
- Reverse polarity protection of load, module and battery
- Automatic electronic fuse
- Short circuit protection of load and module
- Overvoltage protection at module input
- Open circuit protection without battery
- Reverse current protection at night
- Overtemperature and overload protection
- Battery over voltage shutdown

Display

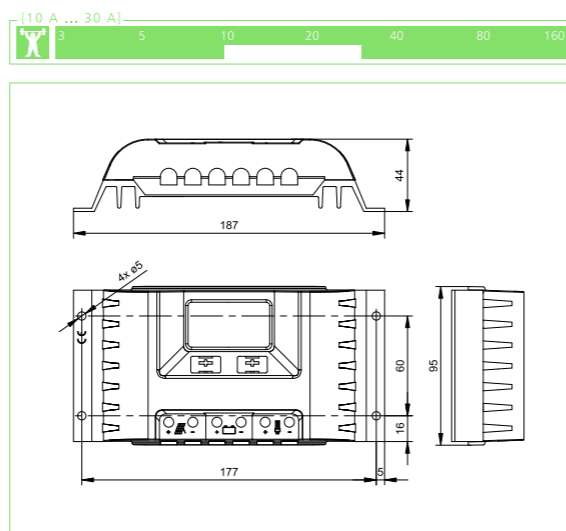
- Graphical LCD display for operating parameters, fault messages, self test
- Operation
- Simple menu-driven operation
- Programming by buttons
- Manual load switch

Options

- Prepayment interface
- External temperature sensor
- Alarm contact

Certificates

- Compliant with European Standards (CE)
- RoHS compliant
- SGS
- ISO 9001
- Made in China



	PR 1010	PR 1515	PR 2020	PR 3030
Characterisation of the operating performance				
System voltage	12 V (24 V)			
Own consumption	12 mA			
DC input side				
Open circuit voltage solar module	< 47 V			
Module current	10 A	15 A	20 A	30 A
DC output side				
Load current	10 A	15 A	20 A	30 A
End of charge voltage	liquid 13.9 V (27.8 V); gel 14.1 V (28.2 V)			
Boost charge voltage	14.4 V (28.8 V)			
Equalisation charge	14.7 V (29.4 V)			
Reconnection voltage (SOC / LVR)	> 50 % / 12.6 V (25.2 V)			
Deep discharge protection (SOC / LVD)	< 30 % / 11.1 V (22.2 V)			
Operating conditions				
Ambient temperature	-10 °C ... +50 °C			
Fitting and construction				
Terminal (fine / single wire)	16 mm ² / 25 mm ² - AWG 6 / 4			
Degree of protection	IP 32			
Dimensions (X x Y x Z)	187 x 95 x 44 mm			
Weight	350 g			

Technical data at 25 °C / 77 °F

Note: Almost Fangpusun PRL series date is same with PR series, but PRL has one more backlight function



fangpusun solsum E

3.3E, 7.7E, 10.10E, 15.15E

The Fangpusun Solsum E-Line IP68 Series continues the huge success of one of the most used SHS controllers. With a power range of up to 15 A at automatically recognized 12 V or 24 V it fits to a system sizes of maximum 240 W. The circuit board is completely electronically protected and with the LED user interface it is easy to check the battery Fangpusun of charge at any time. Large terminals guarantee a simple connection of solar panels, battery and load. The Fangpusun Solsum E works on PWM as a low loss series controller.

Product features

- Series controller
- Voltage regulation
- Automatic detection of voltage
- PWM control
- Multistage charging technology
- Current compensated load disconnection
- Automatic load reconnection
- Temperature compensation
- Common positive grounding or negative grounding on one terminal
- Monthly maintenance charge

Electronic protection functions

- Overcharge protection
- Deep discharge protection
- Reverse polarity protection of load, module and battery
- Automatic electronic fuse
- Short circuit protection of load and module
- Overvoltage protection at module input
- Open circuit protection without battery
- Reverse current protection at night
- Overtemperature and overload protection
- Battery overvoltage shutdown

Displays

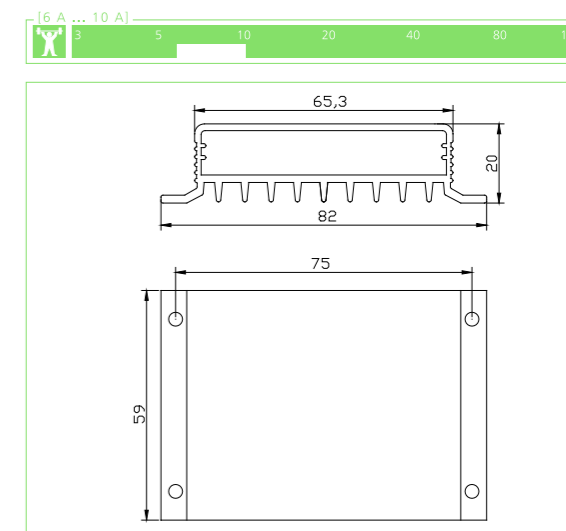
- Multifunction LED display
- Multi-coloured LED
- 4 LEDs show operating states for operation, state of charge, fault messages

Options

- Night light function pre-set in the factory or adjustable via Fangpusun PARC 100
- Parameterisation of function values via Fangpusun PARC 100

Certificates

- Compliant with European Standards (CE)
- RoHS compliant
- SGS
- ISO 9001
- Made in China



	3.3E	7.7E	10.10E	15.15E
Characterisation of the operating performance				
System voltage	12 V (24 V)			
Own consumption	< 4 mA			
DC input side				
Open circuit voltage solar module	< 47 V			
Module current	3A	7A	10A	15A
DC output side				
Load current	3A	7A	10A	15A
End of charge voltage	13.9 V (27.8 V)			
Boost charge voltage	14.4 V (28.8 V)			
Reconnection voltage (SOC / LVR)	> 50 % / 12.4 V ... 12.7 V (24.8 V ... 25.4 V)			
Deep discharge protection (SOC / LVD)	< 30 % / 11.2 V ... 11.6 V (22.4 V ... 23.2 V)			
Operating conditions				
Ambient temperature	- 5 °C ... +50 °C			
Fitting and construction				
Terminal (fine / single wire)	4 mm ² / 6 mm ² - AWG 12 / 9			
Degree of protection	IP 68			
Dimensions (X x Y x Z)	82 x 59 x 20 mm			
Weight	approx. 150 g			

Technical data at 25 °C / 77 °F



Remote control Fangpusun PARC100