

RHM36-156M

145 – 175W

KEY FEATURES



PID resistant



Positive power tolerance to +5W



Excellent module efficiency
System Voltage 1000V/1500V



100% electroluminescence



Design Load/Safety Factors:
3600Pa/1.5 (donward) 1600Pa/1.5 (upward)



IP67 junction box for long term endurance



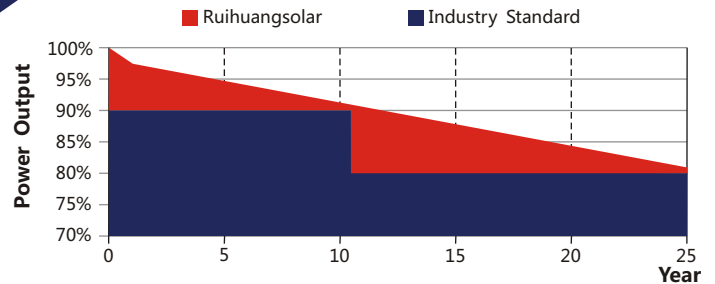
10 years product warranty



25 years linear power warranty



LINEAR PERFORMANCE WARRANTY



MANAGEMENT SYSTEMS & PRODUCT CERTIFICATES



Management System
ISO9001:2015
www.tuv.com
ID 9105016347



Management System
ISO9001:2015
ISO14001:2015
OHSAS18001:2007



JIANGXI RUIHUANG NEW ENERGY AND SCIENCE CO.,LTD.

It is a high-tech PV enterprise dedicated to research & development, production, sales & after sales service, mainly engaged in crystalline silicon solar cells, solar panels, photovoltaic systems, and PV applications. Ruihuang solar is committed to offer high quality solar components, systems and services to customers around the world.

Add: No. 195 wuyinan Road, xinyu city, jiangxi province, China
Tel: +86 0790 6666242
Web : www.ruihuangsolar.com
MP : 0086 15279089080
E-mail: terrina.huang@ruihuangsolar.com
WhatsApp: +86 15279089080

RHM36-156M₁₄₅ – 175W

ELECTRICAL CHARACTERISTICS

Maximum Power P _{mp} , [Watt]	145	150	155	160	165	170	175
Power Tolerance, [W]	0 / +5						
Voltage at Maximum Power Point V _{mpp} , [V]	18.1	18.11	18.12	18.13	18.14	18.15	18.16
Current at Maximum Power Point I _{mp} , [A]	8.01	8.28	8.55	8.83	9.1	9.37	9.64
Open Circuit Voltage V _{oc} , [V]	23.13	23.14	23.15	23.16	23.17	23.18	23.19
Short Circuit Current I _{sc} , [A]	8.36	8.65	8.93	9.21	9.5	9.78	9.96
Module Efficiency, [%]	14.6	15.1	15.6	16.1	16.6	17.1	17.6

标准测试环境(STC) 辐照度 1000W/m², 大气质量AM1.5, 组件温度25°

MECHANICAL CHARACTERISTICS

Cell Type	Mono-crystalline, 156.75 / 157mm
Cell Configuration	36 cells (4×9)
Module Dimension	1480mm × 670mm × 35mm
Module Weight	12 Kg
Glass	3.2mm, low Iron tempered Solar Glass
Frame	Anodized Al alloy Type 6063 T5; Sliver grey
J-Box	Potted, IP67, 1000V DC, (3 bypass diode)IEC & UL certified
Cable	4.0mm ² / 12 AWG, 900mm, IP65
Connectors	QC4.10

THERMAL CHARACTERISTICS

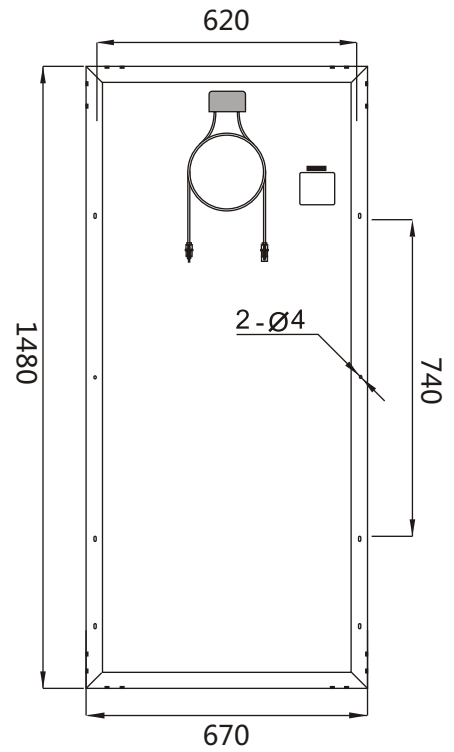
Nominal Operating Temperature NOCT	45 ± 2°C
Temperature Coefficient of I _{sc} , α	+0.037 %/°C
Temperature Coefficient of V _{oc} , β	-0.297 %/°C
Temperature Coefficient of P _{max} , γ	-0.438 %/°C

MAXIMUM OPERATING INSTRUCTIONS

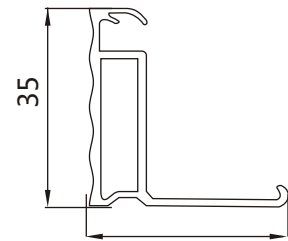
Operating Temperature	-40°C ~ +85°C
Maximum System Voltage	1000V
Maximum Series Fuse Rating	15A

PACKING INSTRUCTIONS

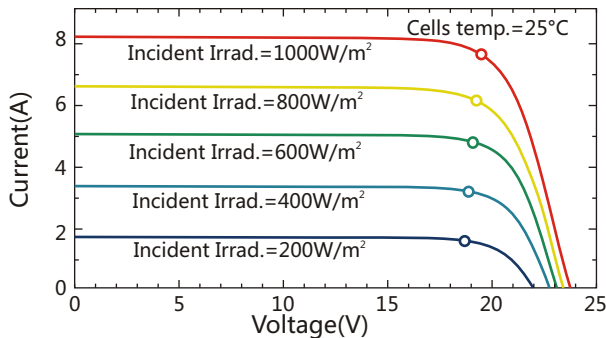
Number Of Modules Per Box / Pallet	80
Number of Pallets / 40' Container	15



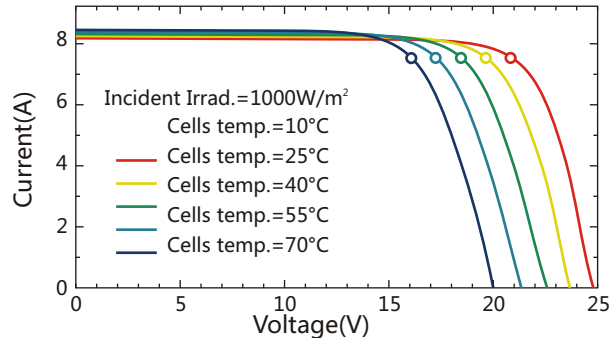
Module Dimension
(Unit: mm)



35
Frame Dimension
(Unit: mm)



Best performance at Low Irradiance, +97% relative Module Efficiency from an Irradiance of 1000W/m² to 200W/m²



DISCLAIMER: Specifications included in the datasheet are subject to change without prior notice owing to continuous innovation on the Product Development and R&D activities. Ruihuang solar reserves the right to make any adjustment to the information described here. Dataset contained in this specification do not form a representative of a single module's data.