

# SKYMAX<sup>series</sup>

## RM-410W-182M/108

### Monocrystalline PERC Module

**1726×1135×35**      **182×91**

Module dimensions (mm)      Cell size (mm)

**108 CELL**      **385-410Wp**

Mono PERC module      Power output

**1500V DC**      **21.00%**

Max. system voltage      Max. efficiency



### KEY FEATURES

- Higher Power Output**  
 Module power increases by 5-25% generally, bringing significantly lower LCOE and higher IRR. 0-5w positive tolerance output warranty.
- Most Advanced Production Technologies**  
 Optimize module current profile, improve system-side power generation.
- Multi Busbar Technology**  
 By improving optical utilization rate, power increases by 2~3% and efficiency increases by 0.4~0.6%.
- PID Resistance**  
 Excellent Anti-PID performance guarantee via optimized mass-production process and material control.
- Low-light Performance**  
 Excellent performance in low light.
- Enhanced Mechanical Load**  
 Certified to withstand: wind load (2400 Pa) and snow load (5400 Pa).
- Durability Against Extreme Environmental Conditions**  
 High salt mist and ammonia resistance certified by TUV NORD.
- EL Full Inspection**  
 Dual stage 100% EL Inspection warranting defect-free product.

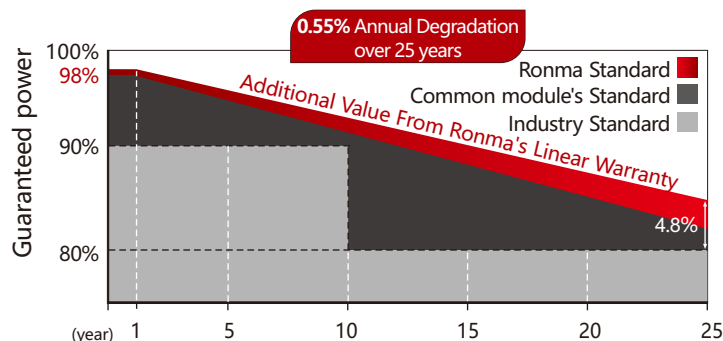


### Comprehensive Products and System Certificates

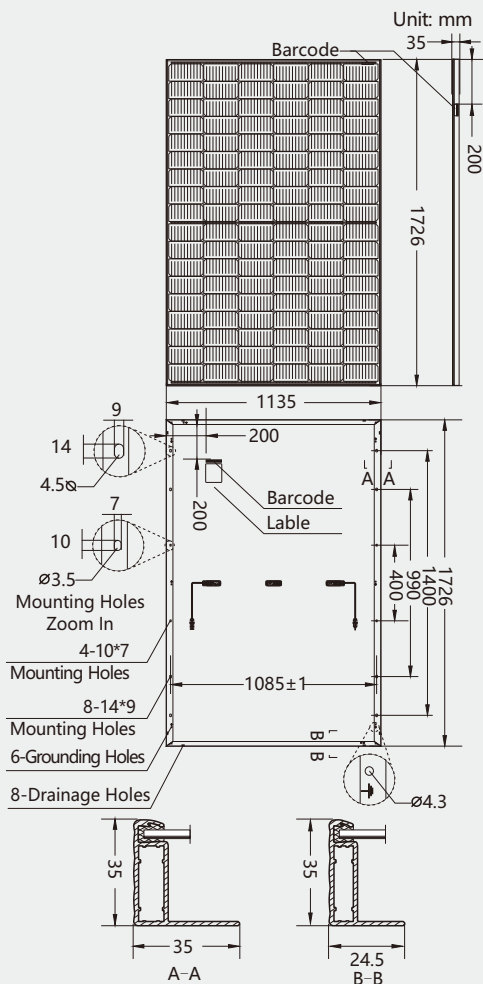
- IEC61215/IEC61730/IEC61701/IEC62716
- ISO 9001: Quality Management System
- ISO 14001: Environmental Management System
- ISO14064: Greenhouse Gases Emissions Verification
- OHSAS 18001: Occupational Health and Safety Management System

### LINEAR PERFORMANCE WARRANTY

10 year product warranty / 25 year linear power warranty

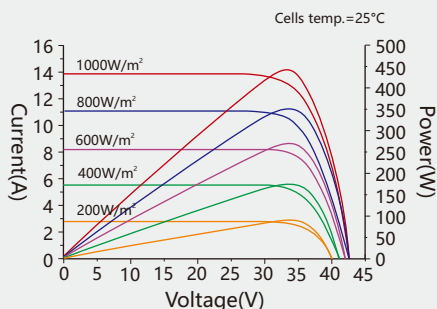


### Dimensions of PV Module

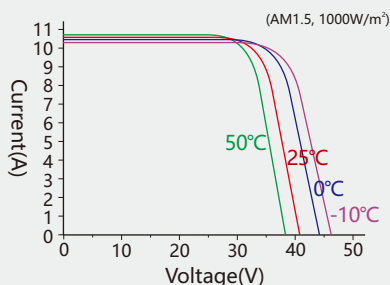


### RM-410W-182M/108

#### I-V characteristics at different irradiances



#### I-V characteristics at different temperatures



### ELECTRICAL DATA(STC)

Model Number	RM-385W-182M/108	RM-390W-182M/108	RM-395W-182M/108	RM-400W-182M/108	RM-405W-182M/108	RM-410W-182M/108
Rated Power in Watts-Pmax(Wp)	385	390	395	400	405	410
Open Circuit Voltage-Voc(V)	36.60	36.80	37.00	37.20	37.40	37.67
Short Circuit Current-Isc(A)	13.60	13.65	13.70	13.76	13.82	13.88
Max. Power Voltage-Vmpp(V)	30.10	30.30	30.50	30.70	30.95	31.18
Max. Power Current-Imp(A)	12.82	12.90	12.96	13.05	13.10	13.15
Module Efficiency(%)	19.72	19.97	20.23	20.48	20.74	21.00

STC: Irradiance 1000W/m<sup>2</sup>, Cell Temperature 25°C, Air Mass AM 1.5,  
 NMOT: Irradiance at 800W/m<sup>2</sup>, Ambient Temperature 20°C, Wind Speed 1m/s.

### MECHANICAL DATA

Solar Cells	Monocrystalline
Cell Size	182mm×91mm
Cell Configuration	108 cells (6×9+6×9)
Module Dimensions	1726×1135×35mm
Weight	20.15kg
Glass	High Transmission, Low Iron, Tempered ARC Glass 3.2mm
Back Sheet	White Back-sheet
Frame	Anodized Aluminium Alloy type 6005 T6, Silver/Black Color
J-box	PV-RM01, IP68, 1500V DC, 3 Diodes
Cables	4.0mm <sup>2</sup> , (+) 300mm, (-) 300mm ( Connector Included )
Connector	MC4-compatible

### TEMPERATURE & MAXIMUM RATINGS

Nominal Module Operating Temperature (NMOT)	44°C ± 2°C
Temperature Coefficient of Voc	-0.27%/°C
Temperature Coefficient of Isc	0.04%/°C
Temperature Coefficient of Pmax	-0.36%/°C
Operational Temperature	-40°C ~ +85°C
Max. System Voltage	1500V DC
Max. Series Fuse Rating	25A

### PACKAGING CONFIGURATION

	40ft(HQ)
Number of Modules Per Container	806
Number of Modules Per Pallet	31
Number of Pallets Per Container	26
Packaging Box Dimensions (l×w×h) (mm)	1750x1130x1260
Box Gross Weight (kg)	691

CAUTION: READ SAFETY AND INSTALLATION INSTRUCTIONS BEFORE USING THE PRODUCT

©2020Ronma Solar. All rights reserved. Specifications included in this datasheet are subject to change without notice.

