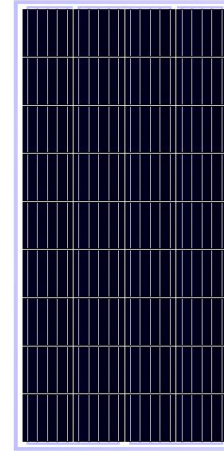
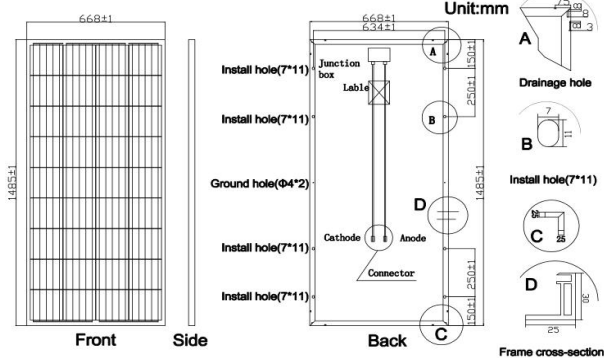


160W Poly solar panel (1485*668*30)



Specifications

* STC: irradiance 1000 W/m², AM 1.5, G and cell temperature of 25°C

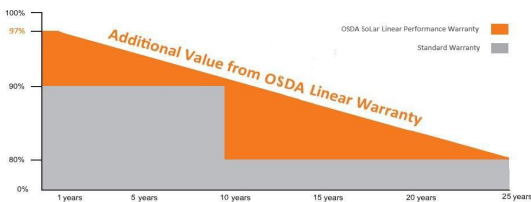
Peak Power(Pmax)	160.00
Maximum Power Voltage(Vmp)	18.34
Maximum Power Current(Imp)	8.73
Open Circuit Voltage(Voc)	22.47
Short Circuit Current(Isc)	9.19
Cells Efficiency(%)	18.09
Module Efficiency(%)	16.13

* NOCT: irradiance 800 W/m², AM 1.5G, ambient temperature 20°C, wind speed 1 m/s

Peak Power(Pmax)	119.00
Maximum Power Voltage(Vmp)	16.88
Maximum Power Current(Imp)	7.05
Open Circuit Voltage(Voc)	20.80
Short Circuit Current(Isc)	7.47

Maximum System Voltage(V)	1000/1500
Maximum Series Fuse Rating(A)	15
Power Tolerance	0 ~ +3 %
Pmax Temperature Coefficients(W/°C)	-0.400 %
Voc Temperature Coefficients(V/°C)	-0.300 %
Isc Temperature Coefficients(A/°C)	+0.060 %
NOCT Nominal Operating Cell Temperature(°C)	45±2
Operating and Storage Temperature(°C)	-40 ~ +85

Warranty



12
YEARS

Guarantee on product material and workmanship

30
YEARS

Linear Power output warranty



Mechanical characteristics

Cell Type	156.75x156.75 Poly
No. of Cells	36(4x9)
Dimensions	1485x668x30
Weight	11.0kg
Front Glass	3.2mm high transmission, low iron, tempered glass
Frame	Anodized Aluminium Alloy
Junction box	IP65/IP67
Output cables	4mm ² cable 90cm+mc4
MaxWind Load/Snow	2400Pa/5400Pa

Packing list

20FT container	14 Packages/ 616pcs
40HQ container	45 Packages/1575PCS

Product Standard

Product Performance	IEC61215
Product Safety	IEC61730

IV Cure

