

Honor Solar

HY-P6 /60

HY-P6 /60H

Polycrystalline Module

270-285 W



285W

Maximum Power Output

17.5%

Maximum Module Efficiency

0~+5W

Power Output Guarantee

Cell Type



5BB



• Highly transparent self-cleaning glass brings additional yield and easy maintenance



• Selected encapsulating material and stringent production process control ensure the product is highly PID resistant and snail trails free



• Optimized system performance due to module level current sorting



• Sand blowing test, salt mist test and ammonia test passed to endure harsh environments



• Lower LID due to lower oxygen and carbon content

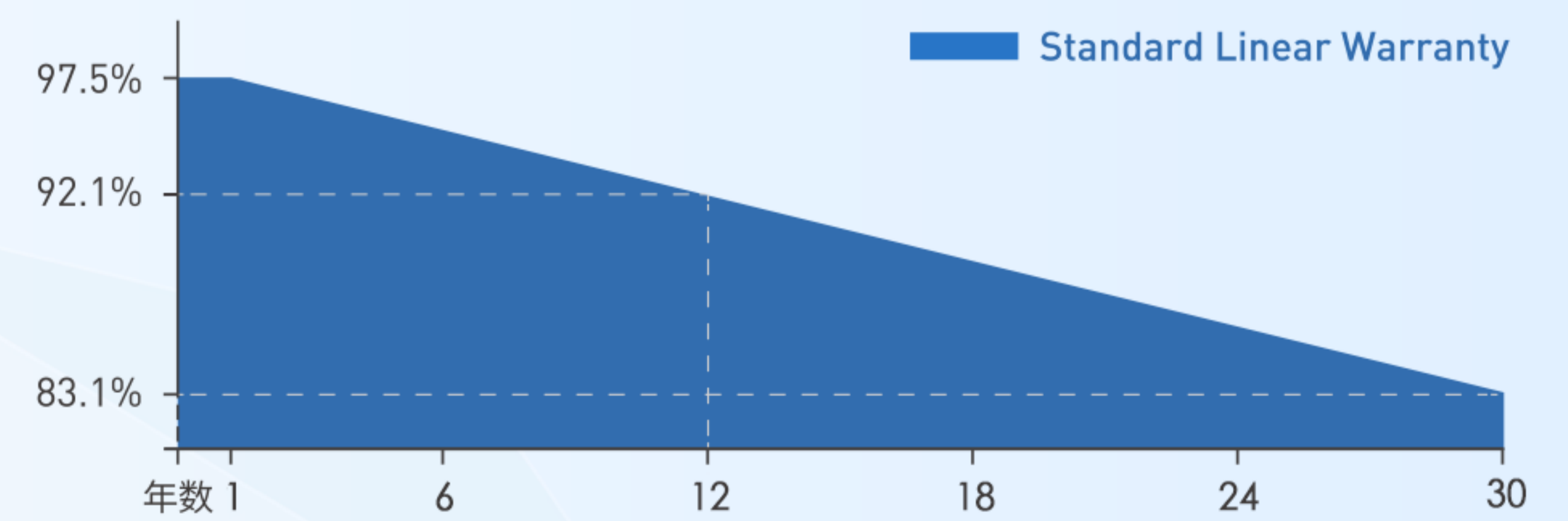


• Special cutting and soldering technology leads to low hot spot risk

Delivers Reliable Performance Over Time

- manufacturer of crystalline silicon photovoltaic modules
- Fully automatic facility and world-class technology
- Rigorous quality control to meet the highest standard: ISO9001:2015, ISO14001: 2015 and OHSAS: 18001 2007
- Tested for harsh environments (salt mist, ammonia corrosion and sand blowing test: IEC 61701, IEC 62716, DIN EN 60068-2- 68)
- Long term reliability tests
- 2x100% EL inspection ensuring defect-free modules

Linear Performance Warranty



12 Years Product Warranty 30 Years Linear Power Warranty

* Please refer to standard warranty for details

Product certification



HY-P6/60 HY-P6/60H

Polycrystalline Module 270-285 W

Electrical Specification (STC*)

Parameter	Symbol	270	275	280	285
Maximum Power	P _{max} (W)	270	275	280	285
Maximum Power Voltage	V _{mp} (V)	31.20	31.40	31.60	31.80
Maximum Power Current	I _{mp} (A)	8.65	8.76	8.86	8.96
Open Circuit Voltage	V _{oc} (V)	38.30	38.50	38.70	38.90
Short Circuit Current	I _{sc} (A)	9.29	9.38	9.46	9.54
Module Efficiency	(%)	16.6	16.9	17.2	17.5
Power Output Tolerance	(W)	0~+5			

* Irradiance 1000W/m², Module Temperature 25°C, Air Mass 1.5

Electrical Specification (NOCT*)

Parameter	Symbol	201.02	204.45	207.90	211.39
Maximum Power	P _{max} (W)	201.02	204.45	207.90	211.39
Maximum Power Voltage	V _{mp} (V)	28.80	29.00	29.20	29.40
Maximum Power Current	I _{mp} (A)	6.98	7.05	7.12	7.19
Open Circuit Voltage	V _{oc} (V)	35.60	35.80	36.00	36.10
Short Circuit Current	I _{sc} (A)	7.50	7.57	7.64	7.70

* Irradiance 800W/m², Ambient Temperature 20°C, Wind Speed 1m/s

Mechanical Data

Number of Cells	60 Cells (6×10)
Dimensions of Module L*W*H (mm)	1640×992×35mm (64.56×39.05×1.38 inches)
Weight (kg)	18.1 kg
Glass	High transparency solar glass 3.2mm (0.13 inches)
Backsheet	White
Frame	Silver, anodized aluminium alloy
J-Box	IP68 Rated
Cable	4.0mm ² (0.006 inches ²), 900mm (35.4 inches)
Number of diodes	3
Wind/ Snow Load	2400Pa/ 5400Pa*
Connector	MC Compatible

* For more details please check the installation manual of SI

Temperature Ratings

Nominal Operating Cell Temperature (NOCT)	45±2°C
Temperature Coefficient of I _{sc}	+0.06%/°C
Temperature Coefficient of V _{oc}	-0.30%/°C
Temperature Coefficient of P _{MAX}	-0.39%/°C

Maximum Ratings

Operational Temperature	-40~+85°C
Maximum System Voltage	1500V DC
Max Series Fuse Rating	20A

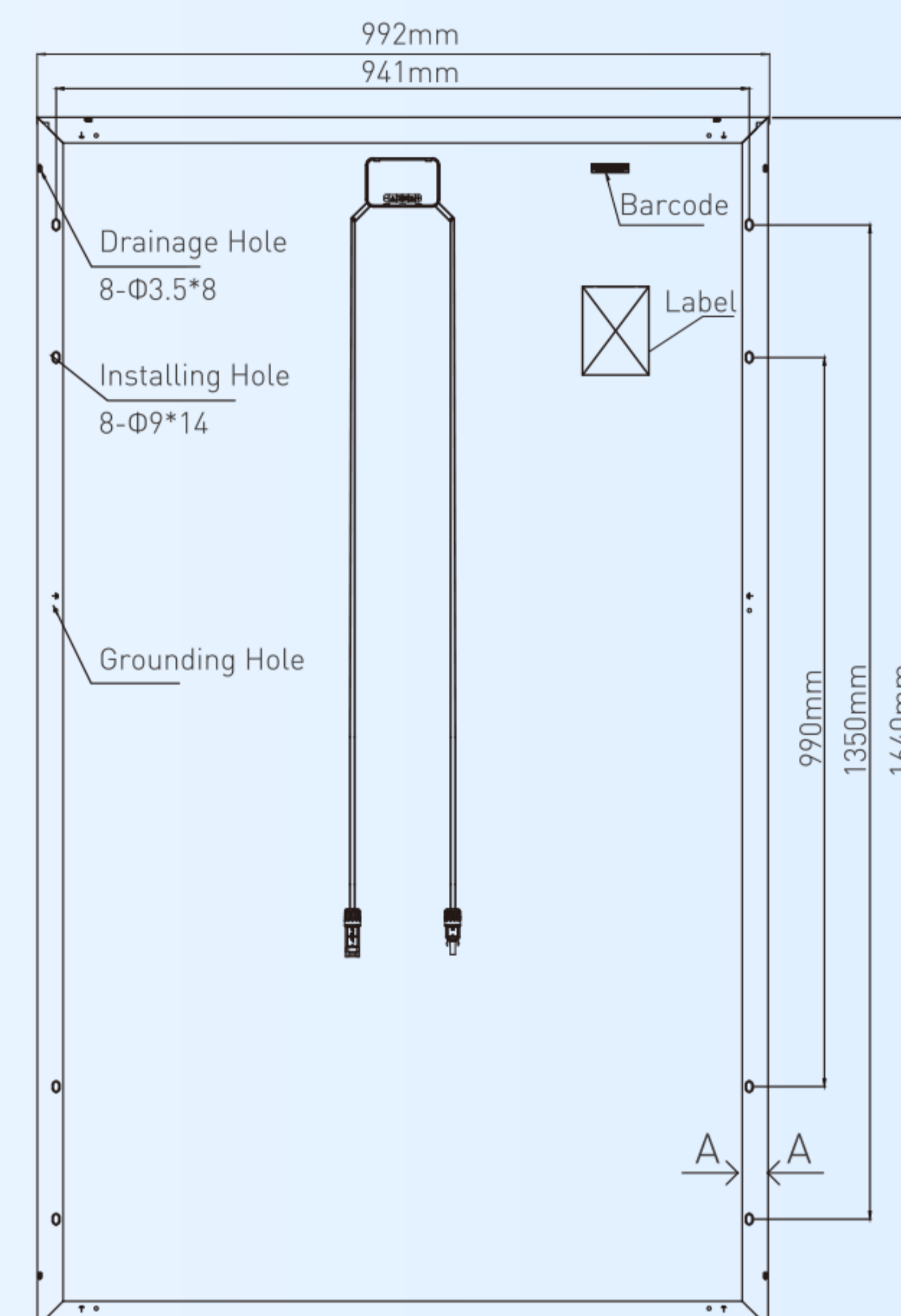
Optional

Connector: Original MC4

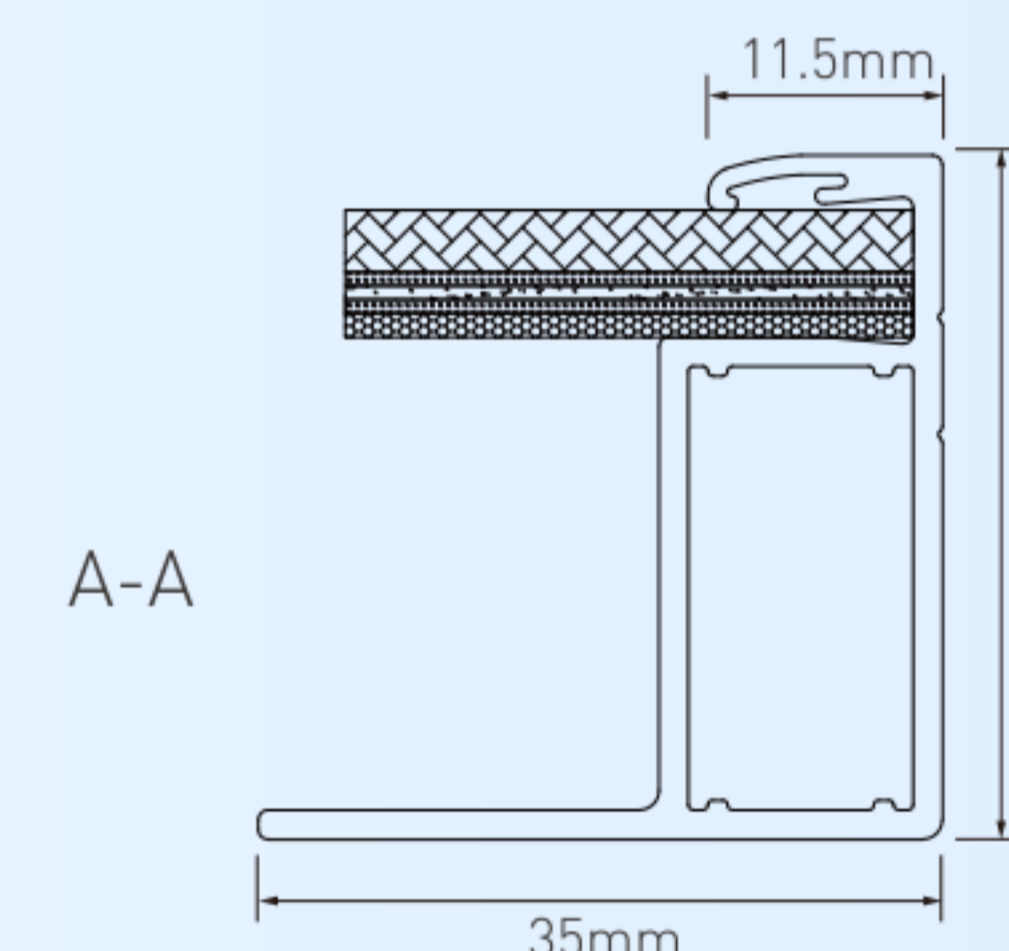
Packaging Configuration

Module per box	30 pieces
Module per 40' container	840 pieces

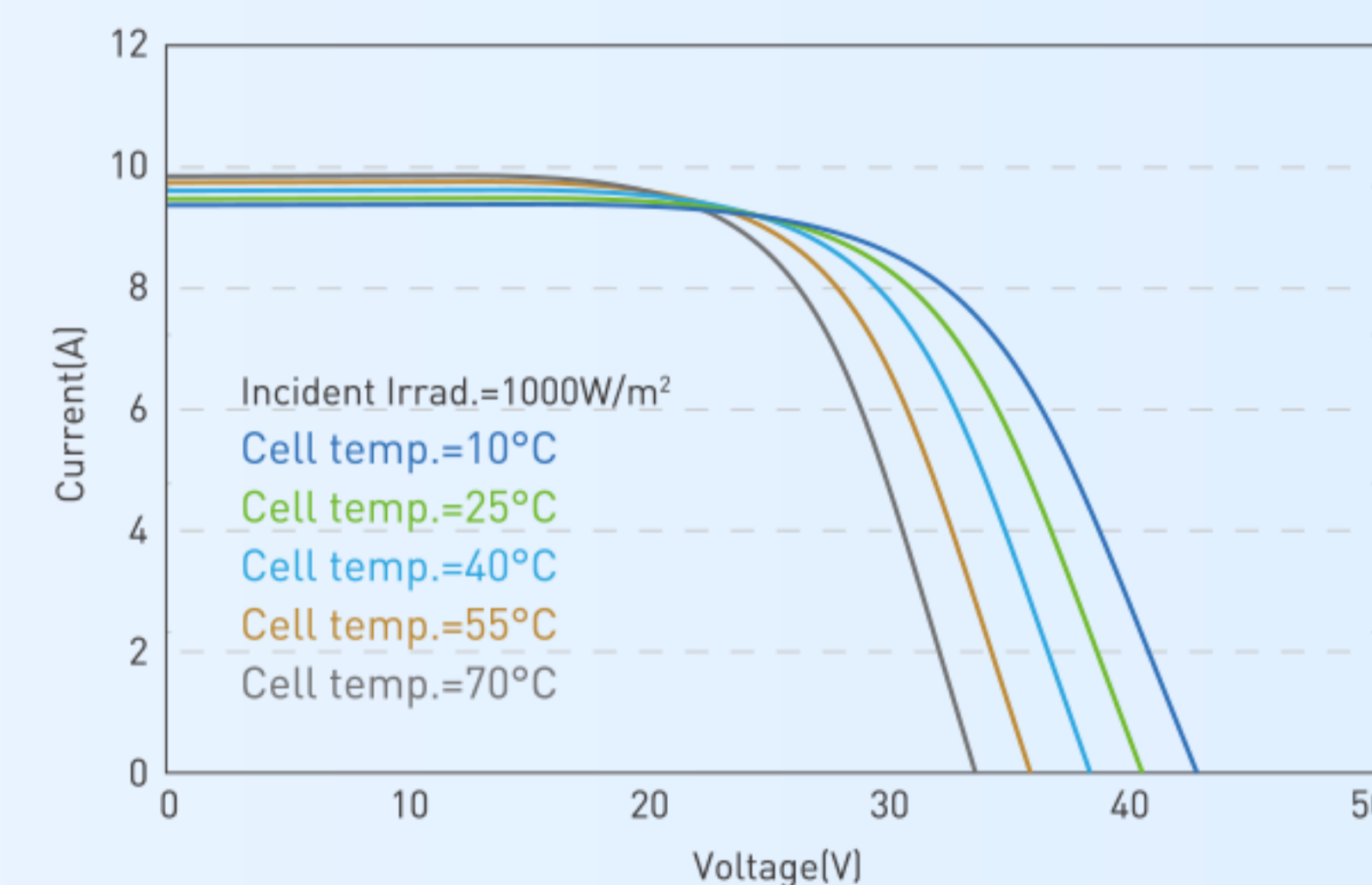
Module Dimension



Back View



I-V Curve at Different Temperature (280W)



I-V/P-V Curve at Different Irradiation (280W)

