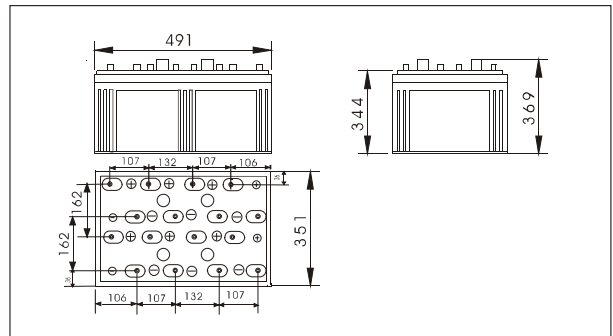




# SW220000E(2V2000AH)



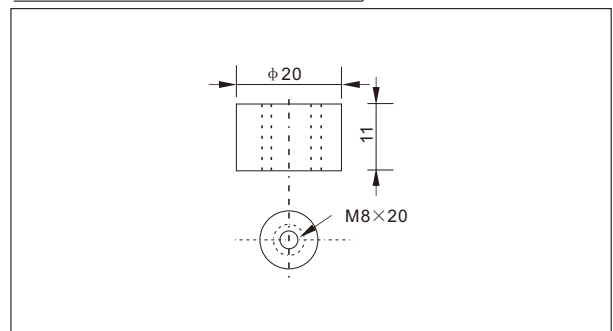
### Outer dimensions (mm)



### Specifications

Nominal Voltage		2 V
Rated capacity (10 hour rate)		2000 Ah
Dimensions	Total Height	369 mm (14.5 inches)
	Height	344 mm (13.5 inches)
	Length	491 mm (19.3 inches)
	Width	351 mm (13.8 inches)
Weight Approx		122.0 Kg (268.7 lbs)

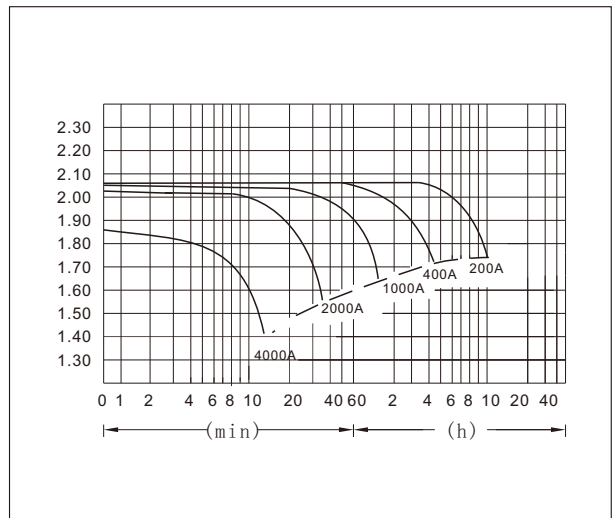
### Terminal Type (mm)



### Characteristics

Capacity 25°C(77°F)	10 hour rate(200 A)	2000 AH
	5 hour rate(320A)	1600 AH
	1 hour rate(1200 A)	1200 AH
	1.5 hour discharge to 1.75 V	800 A
Internal Resistance	Full charged Battery at 25°C(77°F)	0.5 mΩ
Capacity affected by Temperature (10hour rate)	40°C(104°F)	102%
	25°C(77°F)	100%
	0°C(32°F)	85%
	-15°C(5°F)	65%
Self-Discharge at 25°C(77°F)	Capacity after 3 month storage	91%
	Capacity after 6 month storage	82%
	Capacity after 12 month storage	64%
Terminal	T20	
Charge (constant Voltage)	Cycle	Initial Charging Current less than 500 A Voltage 2.35-2.40V
	Float	Voltage 2.25-2.30V

### Discharge Curves 25°C(77°F)



Constant Current(Amp) and Constant Power(Watt) Discharge Table at 25°C(77°F)

Time		10min	30min	1h	2h	3h	4h	5h	8h	10h	20h
1.60V	A	3980.0	2280.0	1200.0	700.0	516.0	400.0	336.83	231.7	220.0	114.0
	W	7820	4080	2320	1360	1000	780.0	640.0	440.0	410.0	217.8
1.70V	A	3780.0	2220.0	1128.0	668.0	500.0	390.0	330.2	227.5	207.0	112.0
	W	7520	4040	2180	1280	960	760.0	620.0	440.0	390.0	214.0
1.75V	A	3580.0	2040.0	1100.0	652.0	488.0	384.0	327.2	225.0	204.0	110.6
	W	7280	3800	2100	1260	940	740.0	612.0	434.0	386.0	210.0
1.80V	A	3380.0	1880.0	1060.0	636.0	476.0	378.0	308.0	219.2	200.0	109.2
	W	7000	3660	2020	1240	920	724.0	600.0	420.0	384.0	208.0
1.85V	A	3180.0	1680.0	1000.0	620.0	460.0	366.7	302.0	213.3	195.0	108.0
	W	6600	3360	1960	1220	920	710.0	596.0	402.0	380.0	205.0