



Polycrystalline Solar PV Modules

IEC61215/61730 Quality/ ISO Certified Company

Model No. FDS200-24P



200W

Temperature Coefficients

Nominal Operating Cell Temperature	NOCT	°C	45 +/-2
Voltage Temperature Coefficient (Voc)	α	%/°C	-0.32
Current Temperature Coefficient (Isc)	β	%/°C	0.055
Power Temperature Coefficient (Pmpp)	γ	%/°C	-0.39

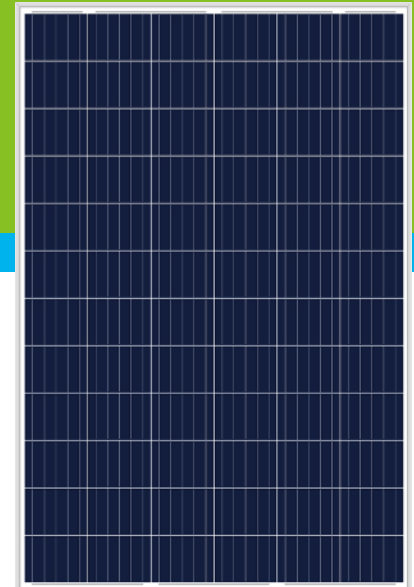
Mechanical Data

Solar Cell	Poly-crystalline, 156.75*100mm		
Arrangement	72Cells (6*12)		
Front Glass	3.2mm Tempered		
Frame	Anodized Aluminium		
Max. Static Snow Load, Front	5,400Pa		
Max. Static Wind Load, Back	2,400Pa		
Junction Box	Potted, 1,000VDC, IP67,2 Schoktty Bypass Diodes		
Cables & Connectors	Dia. 4.0mm2(12AWG), L 900mm		

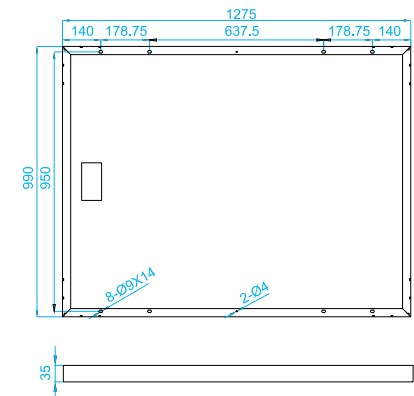
Electrical Data

STC: Irradiance 1000 W/m²(module temperature 25°C AM1.5)

Module Type	FDS200-24P		
Nominal Peak Power	Pmax	Wp	200
Minimum Power Tolerance	ΔP_{max}	%	-/+3
Max. Power Voltage	Vmp	V	36.4
Max. Power Current	Imp	A	5.50
Open-circuit Voltage	Voc	V	44.8
Short-circuit Current	Isc	A	6.03
Module Efficiency	η_m	%	16.2
Operating Temperature		°C	-40 to +85
Max Series Fuse Rating		A	15
Max. System voltage	DC	V	1,000
Weight		KGS	14.2
Dimension		MM	1275*990*35



Dimensions unit : mm



Materials & Workmanship Warranty



90% Power Output Warranty



80% Power Output Warranty

Warranty : Solar Modules with 25 years warranty

#2, North Second Ring Road, Zhangjiagang City, China, 215600

Tel: 0086-512-58542102

Email: sales@fortunes-solar.com.cn

Website: www.fortunes-solar.com.cn

