

182 MBB Half-cell Mono Perc Module



 Power Range 530W~550W	 Power Tolerance 0W~ +5W	 Maximum Efficiency 21.3%
-------------------------------------	---------------------------------------	--

Features and Benefits

- The application of multi-busbar (MBB) half-cut cell technology brings stronger resistance to shade and lower risk of hot spot.

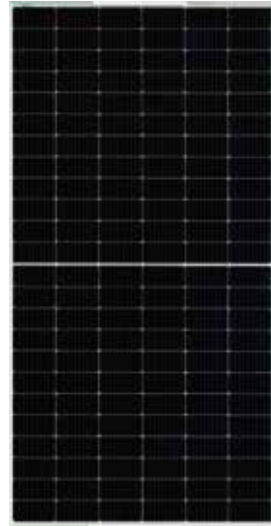
- Strict control on raw materials and process optimization of high efficiency PERC ensure better resistance against PID of PV module.

- Through harsh weathering tests of sand, dust, salt mist, ammonia, etc, to get stronger weather resistance of outdoor environment.

- Lower oxygen and carbon content result in lower LID.

- By series and parallel design, to reduce the series RS and achieve higher power output and lower BOS cost.

- Lower temperature coefficient and lower operating temperature can ensure higher power generation.



First-Class Warranty

 12 years product workmanship warranty	 1 st year power degradation no more than 2% . Subsequent annual power degradation no more than 0.55%	 25 years linear power output warranty
--	--	--

Electrical Performance Parameters | STC

Nominal Max. Power P _{max} (W)	530	535	540	545	550
Maximum Power Voltage V _{mp} (V)	40.57	40.64	40.71	40.81	40.92
Maximum Power Current I _{mp} (A)	13.08	13.18	13.27	13.37	13.46
Open Circuit Voltage V _{oc} (V)	49.27	49.35	49.41	49.50	49.61
Short Circuit Current I _{sc} (A)	13.70	13.79	13.85	13.93	14.01
Module Efficiency (%)	20.6	20.7	20.8	21.1	21.3
Power Tolerance (W)	0~+5W				

* STC: Irradiance 1000W/m², Cell Temperature 25°C, Air Mass AM1.5.
 * Power measurement tolerance ± 3%.

Module Dimension

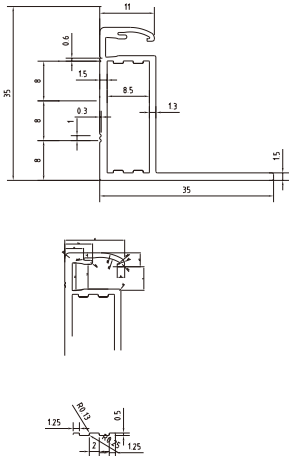


Electrical Performance Parameters | NMOT

Nominal Max. Power P _{max} (W)	395	400	405	410	415
Maximum Power Voltage V _{mp} (V)	37.86	37.93	38.10	38.27	38.44
Maximum Power Current I _{mp} (A)	10.43	10.51	10.56	10.61	10.66
Open Circuit Voltage V _{oc} (V)	46.52	46.59	46.67	46.76	46.84
Short Circuit Current I _{sc} (A)	11.09	11.16	11.21	11.28	11.37

* NMOT: Irradiance 800W/m², Cell Temperature 20°C, Wind Speed 1m/s.
 * Power measurement tolerance ±3%.

Frame Cross Section



Structure Performance

Solar Cell Type	182mm Mono-crystalline (Half Cell)
Solar Cell Arrangement	144pcs(6×24)
Module Dimension	2279×1134×35mm
Weight	28.0kg
Front Glass	3.2mm, highly transparent tempered glass with anti-reflective coating
Back Sheet	White
Frame	Anodized Aluminum Alloy
Junction Box	IP68 rated
Cable	4mm ² PV cable, 300mm or customized length
Diode Quantity	3pcs
Wind Load / Snow Load	2400pa/5400pa
Connector	MC4 Compatible
Per Pallet	31pcs
Per Container(40'HQ)	620pcs

Temperature Characteristics

Nominal Module Operating Temperature	44±2°C
Temperature Coefficient (I _{sc})	+0.06%
Temperature Coefficient (V _{oc})	-0.30%
Temperature Coefficient (P _{max})	-0.39%

Maximum Parameters

Working Temperature	-40~+85°C
Maximum System Voltage	1500V DC
Nominal Maximum Fuse Current	25A