

# AS116 – H2100 HELIOS Free Field

H2100-116 is an aluminum structure solution for 3 panels portrait or 4 panels landscape. The system is provided with all needed clamps, connection base plates (to concrete blocks or steel piles) and stainless steel assembly screws in preassembled package. The inclination is 20 -30 / or can be customized as per exact requirements for large scale projects.



## Materials

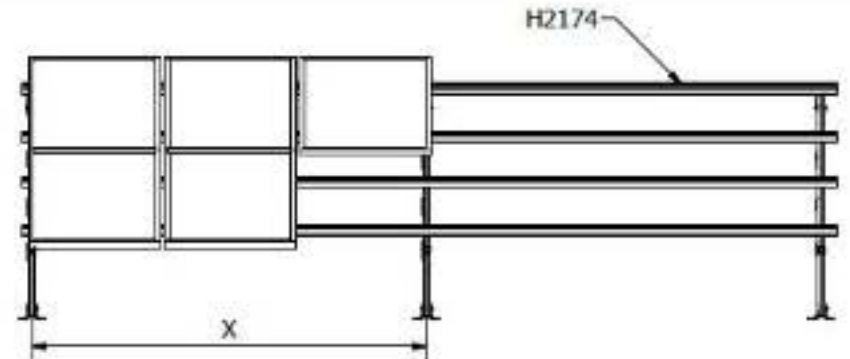
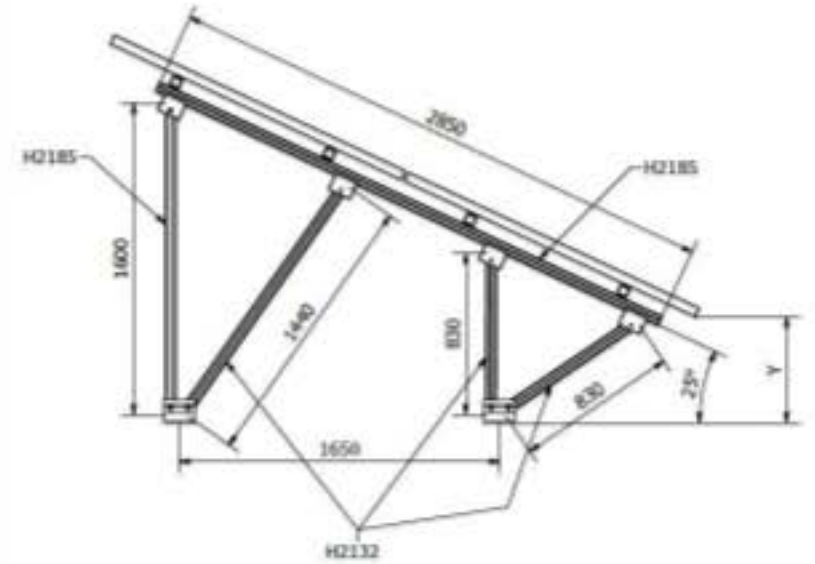
- Aluminum Alloy 6005T6
- Inox Screws

## General characteristics

- Series: H2100
- Type: AS116
- Application: Free field & flat roof
- Alignment: Portrait-Landscape
- Inclination: 20° - 30°
- Foundation: pile ramming or concrete blocks or combination
- Distance lower PV module from the ground: 40-50cm
- Special characteristics: Preassembled

## Certification

- Static Analysis According Eurocodes 1,3,9
- ISO 9001 / ISO 14001
- Technical Manual
- Alumil 20 Year Guarantee



## PRODUCT ACCESSORIES

### Purling Codes\*

EX-8960740300 PROFILE H2174 OF LENGTH 6200mm	EX-8960260000
EX-8960740200 PROFILE H2174 OF LENGTH 4200mm	EX-8960750000
EX-8960743150 PROFILE H2174 OF LENGTH 3150mm	EX-8964825000
EX-8960740100 PROFILE H2174 OF LENGTH 2100mm	EX-8960910000
EX-8960850600 PROFILE H2185 LENGTH 6200mm	EX-8960180200
EX-8960850400 PROFILE H2185 LENGTH 4200mm	EX-8960660000
EX-8960850300 PROFILE H2185 OF LENGTH 3150mm	EX-8960XX0100
EX-8960850200 PROFILE H2185 LENGTH 2100mm	
EX-8960906000 PROFILE H2190 OF LENGTH 6200mm	EX-WINDSHIELD AS116
EX-8960904000 PROFILE H2190 OF LENGTH 4200mm	EX-8960740040
EX-8960902000 PROFILE H2190 OF LENGTH 2100mm	EX-8960850040
	EX-8960900040

### Aluminum Accessories

CONNECTION PLATE SMALL 40mm
CORE FOR PROFILE H2174
CORE FOR PROFILE H2185
CORE FOR H2190
MID CLAMP
CAP OF PANEL CLAMP WITH 55mm LENGTH
END CLAMP XXmm, L=55mm - depends on panel thickness
WINDSHIELD H2309
END CUP FOR H2174 PROFILE-RAL1003 YELLOW
PLASTIC END CUP FOR H2185 PROFILE-YELLOW
PLASTIC END CUP FOR H2190 PROFILE-YELLOW

### Bolts & Nuts

EX-8968008103	T-SLOT NUT M8 ALUMINIUM
EX-762908XX01	HEX SOCKET BOLT ISO4762 M8x XX A2 INOX - depends on panel thickness
EX-8968808201	HEXAGON NUT DIN6923 M8 WITH SERRATION M8 INOX
EX-7627300801	SERRATED LOCK WASHER DIN6798-A M8 A2 INOX
EX-8969122081	HAMMERHEAD BOLT WITH EPDM M8x22mm INOX
EX-7622808001	HEXAGON BOLT ISO4017/DIN933 M8x70 A2 INOX

### Triangle Codes

EX-8961162510	TRIANGLE-BASE OF AS116.25
EX-8961163010	TRIANGLE-BASE OF AS116.30

\*In large scale project purlings can be produced in special lengths

**20** YEARS  
 GUARANTEE