

EL280~320M-60

Mono Crystalline PERC Solar Module

East Lux

Power from East

KEY FEATURES



5 Busbar Solar Cell:

5 busbar solar cell adopts new technology to improve the efficiency of modules, offers a better aesthetic appearance, making it perfect for rooftop installation.



High Power Output:

With up to 320 Wp and 19.67 % efficiency, highest performing module of its kind on the market.



PID RESISTANT:

Limited power degradation caused by PID effect is guaranteed under strict testing condition (85 C /85%RH, 96hours) for mass production.



Low-light Performance:

Advanced glass and surface texturing allow for excellent performance in low-light environments.



Severe Weather Resilience:

Certified to withstand: wind load (2400 Pascal) and snow load (5400 Pascal).



Durability against extreme environmental conditions:

High salt mist and ammonia resistance certified by TUV NORD.



Temperature Coefficient:

Improved temperature coefficient decreases power loss during high temperatures.

Reliable Quality

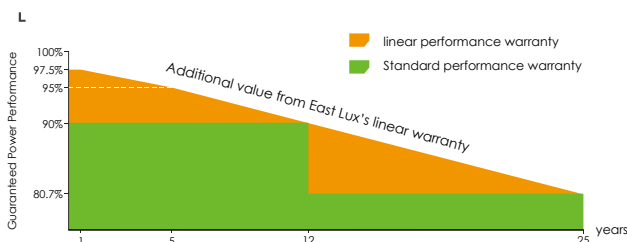
- Positive power tolerance: 0~+5W
- 100% EL double-inspection ensures modules are defects free
- Modules binned by current to improve system performance
- Potential Induced Degradation (PID) Resistant

Comprehensive Certificates

- IEC 61215, IEC 61730, UL1703, CEC Listed, MCS and CE
- ISO 9001:2008: Quality management systems
- ISO 14001:2004: Environmental management systems
- BS OHSAS 18001: 2007: Occupational health and safety management system
- Environmental policy: The first solar company in China to complete intertek's carbon footprint evaluation program and receive green leaf mark verification for our products

LINEAR PERFORMANCE WARRANTY

12 Years Product Warranty 25 Years Linear Power Warranty



Specifications subject to technical change and tests. East Lux reserves the right of final interpretation.

Electrial Data (STC)

Module Type	EL-280M-60	EL-285M-60	EL-290M-60	EL-305M-60	EL-310M-60	EL-315M-60	EL-320M-60
Maximum Power (Pmax/W)	280	285	290	305	310	315	320
Volage at Maximum Power (Vmp/V)	31.50	31.81	32.10	32.91	33.25	33.55	33.87
Current at Maximum Power (Imp/A)	8.89	8.96	9.05	9.27	9.33	9.39	9.45
Open circuit Voltage (Voc/V)	38.52	38.85	39.15	40.15	40.63	40.91	41.30
Short circuit Current (Isc/A)	9.43	9.51	9.58	9.79	9.85	9.91	9.97
Module Efficiency STC (%)	17.21	17.52	17.83	18.75	19.05	19.36	19.67

Electrial Data (NMOT)

Maximum Power (Pmax/W)	207	210	214	226	229	232	235
Volage at Maximum Power (Vmp/V)	29.20	29.42	29.60	30.42	30.66	30.90	31.14
Current at Maximum Power (Imp/A)	7.90	7.15	7.23	7.43	7.47	7.51	7.55
Open circuit Voltage (Voc/V)	35.86	36.01	36.45	37.62	37.85	38.13	38.40
Short circuit Current (Isc/A)	7.54	7.61	7.65	7.80	7.86	7.90	7.95

STC(Standard Testing Conditions): Irradiance 1000W/m²,Cell Temperature 25°C,AM1.5

NMOT(Nominal Moudule Operating Temperature): Irradiance 800W/m²,Ambient Temperature 20°C, Wind Speed 1m/s

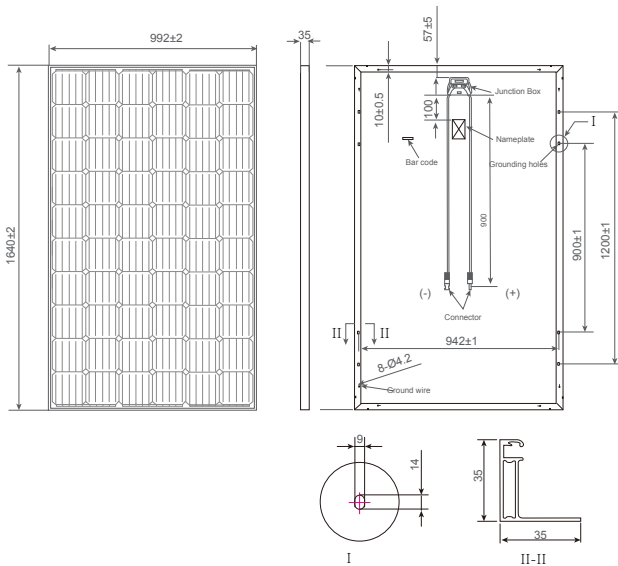
Temperature Coefficients

Temperature Coefficients (Pm)	-0.393%/°C
Temperature Coefficients (Voc)	-0.310%/°C
Temperature Coefficients (Isc)	0.041%/°C

Operating Parameters

Maximum System Voltage	1500V
Operating Temperature	-40°C~+85°C
NMOT(Nominal Moudule Operating Temperature)	41±3°C

Module Dimensions(mm)

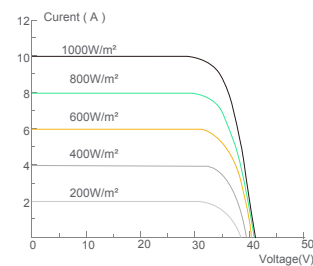


Packaging Configuration

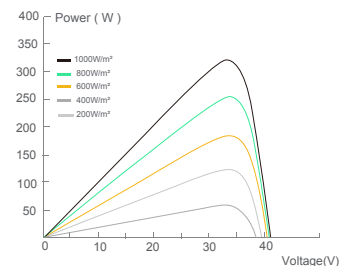
Modules per Pallet: 31+31+4pcs
 Modules per 40' HQ Container: 924pcs

I-V Curve

Current-Voltage Curve (320W)



Power-Voltage Curve (320W)



Mechanical Data

Cell Type	156.75x156.75mm Mono
No.of cells	60(6x10)
Module Dimensions	1640x992x35mm
Weight	18.5kg
Glass	3.2mm high transmittance, reinforced glass
Backsheet	Anti-aging film
Frame Material	Anodized aluminum alloy
Junction Box	Protection class IP67
Cable	4.0mm ² photovoltaic special cable
Connector	MC4 compatible connector

*STC: Irradiance 1000W/m²

Cell Temperature 25°C

AM=1.5

NOCT: Irradiance 800W/m²

Ambient Temperature 20°C

AM=1.5

Wind Speed 1m/s

* Power measurement tolerance: ± 3%

Electrical data in this catalogue do not refer to a single module and they are not part of the offer. They only serve for comparison among different module types.