

# Go Power!®

# GP-AGM-100-12V



## DEEP CYCLE AGM SOLAR BATTERY



### Features:

- AGM deep cycle battery
- Ideal for solar applications and inverter systems
- Maintenance-free, sealed construction
- Spill proof / leak proof (VRLA)
- ABS case and cover
- UL recognized
- 100% recyclable
- Integrated carrying handles

### MATERIALS

Case and Cover	ABS
Separator	Absorbent Glass Mat (AGM)
Active	PbO <sub>2</sub> + Pb
Electrolyte	Diluted Sulfuric Acid
Venting Valve	Rubber, opening pressure 8-20kPa

### MECHANICAL

Length	12.01 in / 305mm
Width	6.61 in / 168 mm
Height	8.15 in / 207 mm
Total Height (including terminals)	9.02 in / 229 mm
BCI Group #	27
Weight	67.5 lbs / 30.6 kg
Carrying	Integrated flush mount handles

### SPECIFICATIONS

Technology	AGM, VRLA deep cycle battery
Nominal Voltage	12V
Nominal Capacity	110 Ah
Rated Capacity	110.0 Ah/1.10A (100hr, 1.80V/cell) 100.0 Ah/5.00A (20hr, 1.80V/cell) 95.2 Ah/9.52A (10hr, 1.80V/cell) 83.0 Ah/16.6A (5hr, 1.75V/cell)
Nominal Operating Temperature	77 ±5 °F (25 ±3 °C)
Operating Temperature Range	Discharge, Storage: -4~140°F (-20~60°C) Charge: -4~122°F (-20~50°C)
Capacity Correction for Temperature Variations	104°F (40°C) 103% 77°F (25°C) 100% 32°F (0°C) 86%
Maximum Discharge Current	1200 A (5s)
Internal Resistance	Approx. 4.9mΩ
Terminals	T14 Torque: 11 ~ 14.7 Nm (97.28 - 130 in*lbs)
Cycle Use	Initial Charging Current less than 30.0 A Voltage: 14.4 V~15.0 V at 77°F (25°C) Temp. Coefficient -30mV/°C
Standby Use	No limit on Initial Charging Current Voltage: 13.5 V~13.8 V at 77°F (25°C) Temp. Coefficient -20mV/°C
Certifications	UL; CE; IEC60896-21 & 22
Self Discharge	Batteries can be stored for up to 6 months before a freshening charge is required. <i>*Batteries stored at temperatures greater than 77°F (25°C) will require a recharge sooner.</i>
Cycle Life 77°F (25°C)	100% Depth of Discharge ~ 250 cycles 50% Depth of Discharge ~ 1100 cycles 30% Depth of Discharge ~ 2250 cycles

Specifications may be subject to change. Product may not be exactly as shown.  
Specifications subject to local environmental conditions.

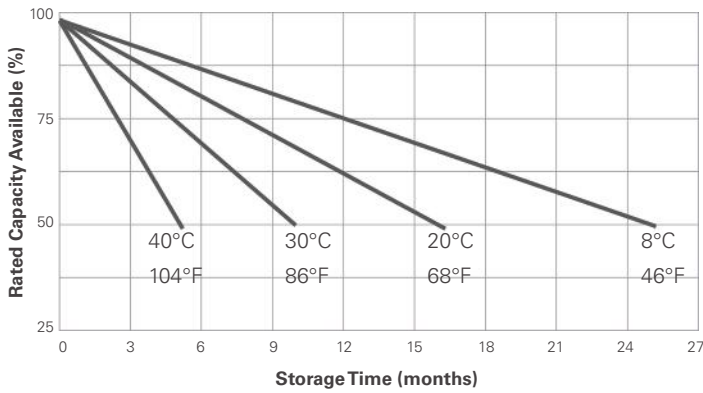


# GP-AGM-100-12V

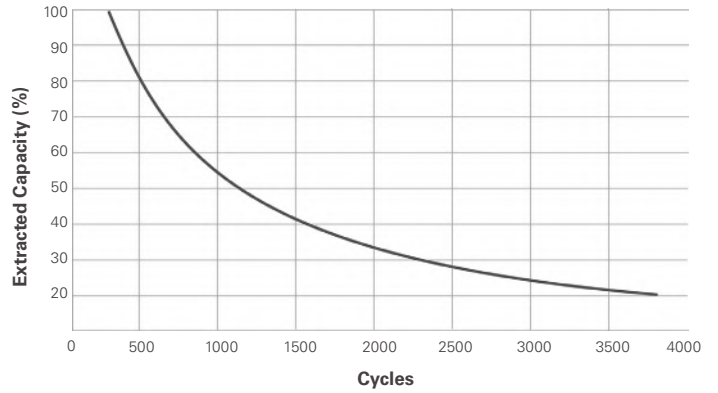


## DEEP CYCLE AGM SOLAR BATTERY

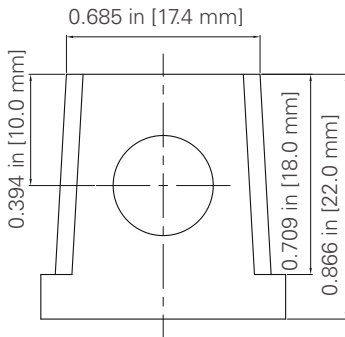
**Battery Self-Discharge Over Temperature**



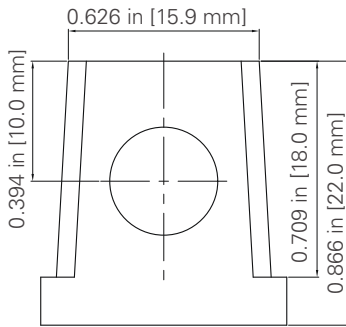
**Battery Cycle Life**  
77°F (25°C)



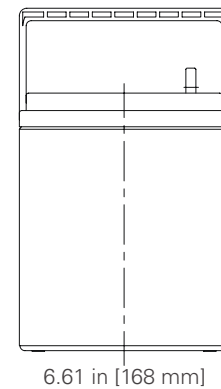
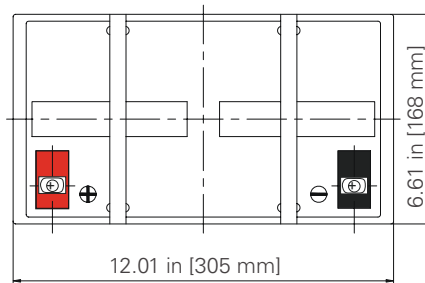
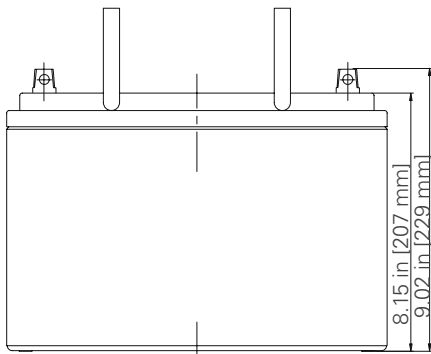
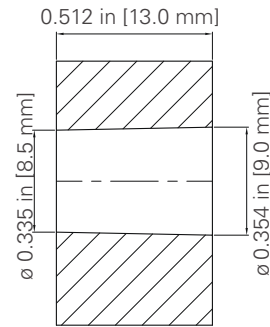
### TERMINAL DIMENSIONS



**T14 -1 Positive**



**T14 -2 Negative**



Specifications subject to local environmental conditions.  
Specifications may be subject to change.



© 2019, Go Power! US and International patents apply. "Go Power!" and the Go Power! logo are registered trademarks