

# PEFS Series Firefighter Safety Switch



**PROJOY**  
electric

– Switch To Safety! –



**PROJOY**  
electric

– Switch To Safety! –

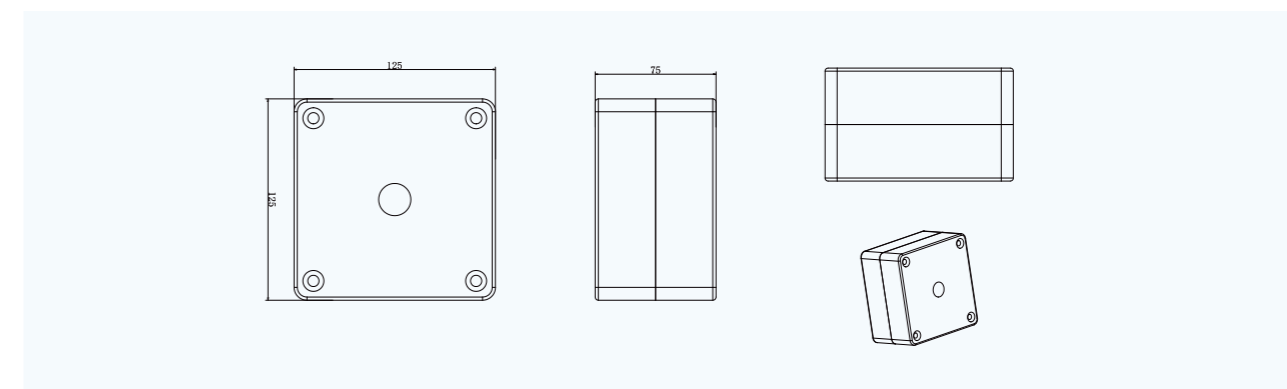
## Fast Shutdown Specification

Type	80V Single core	80V Dual core	1200V Single core	1200V Dual core
Number of PV modules	1	2	2	2
Maximum Input Power	600W	1200W (600W*2)	1200W	1200W (600W*2)
Maximum Input Voltage	80V	80V	120V	120V
Maximum Input Current	20A			
Maximum Short Circuit Current	20A			
Maximum System Output Current	20A			
Maximum System Output Voltage	80V	160V	120V	120V
Maximum System Voltage	1000V (1500 Optional)			
Supply Voltage	24VDC			
Ambient Operating Temperature	-30° C to +80° C (Automatic shutdown over 80 ° C)			
Storage Temperature	-30° C ~ +55° C			
IP Level	IP68			
Fire-proof Level	UL94-V0			
Humidity	0%~90% at 20°C			
Connector	MC4			
Warranty	10 years			
Weight	300g			
Size	110*95*24mm			
Signal Cable Length				
Panel Cable Length				
String Cable Length	1200+120mm	1800+120+180mm	1800+120mm	1800+120+180mm
Standard	UL 1741 /NEC 2017 690.12			

## Controller Box Specification

Type	
Rated input current	200mA (Vi 115VAC) / 135mA (Vi 230VAC) Rated
Output Voltage	24V DC
Controlled fast shutdown number	60/120
With Lock	Optional
Dimensions	142*125*119 mm
Ambient Operating Temperature	-30°C ~ +55°C
communication	Standard pluggable terminal, 2m / 20m / 50m wire length, manual update

## Dimensions



## High Craftsmanship AND High Standards



Built-in temperature sensor automatically shutdown while over 85° C (185° F)



Slim size match module perfectly



Flame retardant rating: UL94-V0



Protection Level: IP68