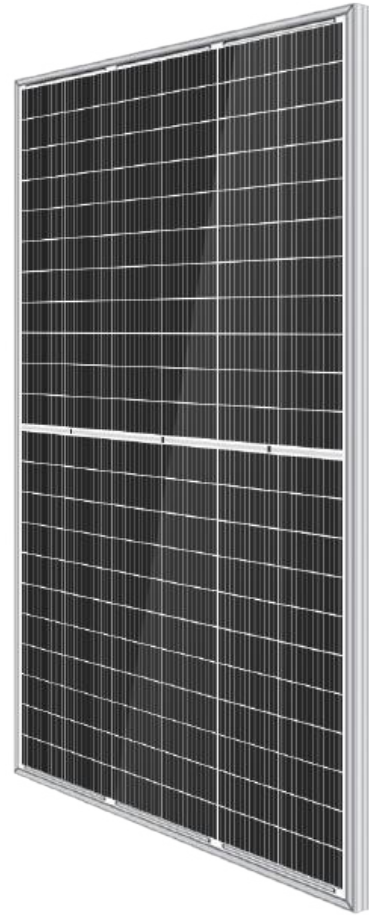


JUSTSOLAR

Halfcut 210mm

MONO MODULE

JST210*210-M-66-
MH-(650-665)W



High conversion efficiency
High module efficiency to guarantee power output.



0 to +5W positive tolerance
Detailed information in Electrical Specifications.



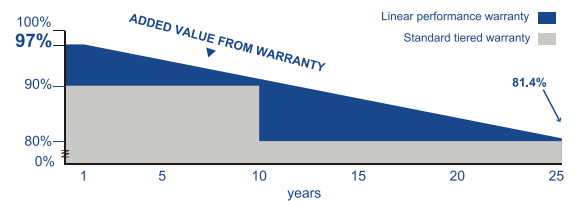
Self-cleaning glass
Coating glass for self-cleaning, reduce surface dust.



48-hour response service



Outstanding low irradiation performance
Excellent module efficiency even in the weak light conditions, such as morning or cloudy.



Excellent loading capability
2400Pa wind loads, 5400Pa snow loads.



25-year performance warranty



10-year warranty on materials and workmanship

IEC 61215 Ed.2
IEC 61730
UL 1703



ELECTRICAL DATA

Model Type	JST210*210-M-66-MH-***W	650	655	660	665
Peak Power (Pmax)		650W	655W	660W	665W
Module Efficiency		20.92%	21.09%	21.25%	21.41%
Maximum Power Voltage (Vmp)		37.61V	37.81V	38.01V	38.21V
Maximum Power Current (Imp)		17.28A	17.32A	17.36A	17.40A
Open Circuit Voltage (Voc)		45.58V	48.78V	45.98V	46.18V
Short Circuit Current (Isc)		18.16A	18.21	18.26A	18.31A
Power Tolerance			0 to +5W		
Maximum System Voltage			1000/1500V		
Nominal Operating Cell Temperature			41±3°C		
Maximum Series Fuse Rating			30A		

MECHANICAL DATA

Cell Type	210mm, Mono
Number of Cells	132(11×6×2)
Weight	34kg
Dimension	2384*1303*35mm
Max Load	5400 Pascals
Junction Box	IP68 rated
Connector	MC4 Compatible
Wire Type	PV Wire

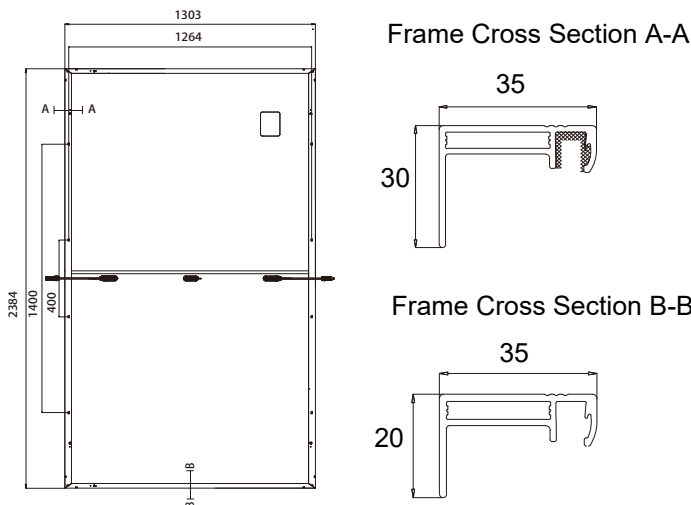
TEMPERATURE CHARACTERISTICS

Temp. Coeff. of Isc (TK Isc)	0.05% /°C
Temp. Coeff. of Voc (TK Voc)	-0.28% /°C
Temp. Coeff. of Pmax (TK Pmax)	-0.36% /°C

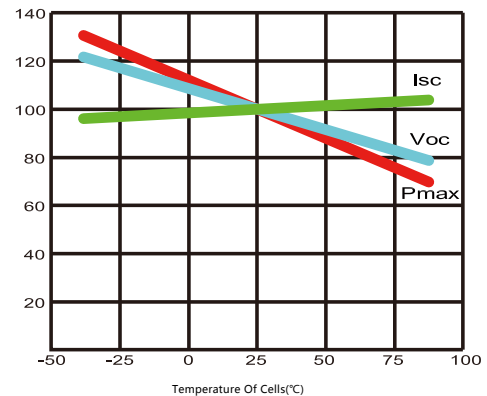
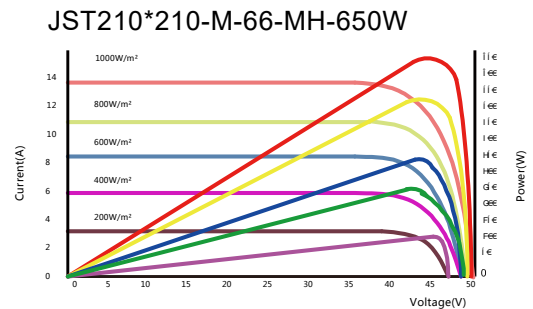
PACKING MANNER

Container	40' HQ
Pieces per Pallet	31
Pieces per Container	558

PHYSICAL CHARACTERISTICS



ELECTRICAL CHARACTERISTICS



Note: the specifications are obtained under the Standard Test Conditions (STCs): 1000W/m² solar irradiance, 1.5 Air Mass, and cell temperature of 25°C. The NOCT is obtained under the Test Conditions: 800W/m², 20°C ambient temperature, 1m/s wind speed, AM 1.5 spectrum.

Please contact support@jusolar.com for technical support. The actual transactions will be subject to the contracts. This parameters is for reference only and it is not a part of the contracts. The specifications are subject to change without prior notice.