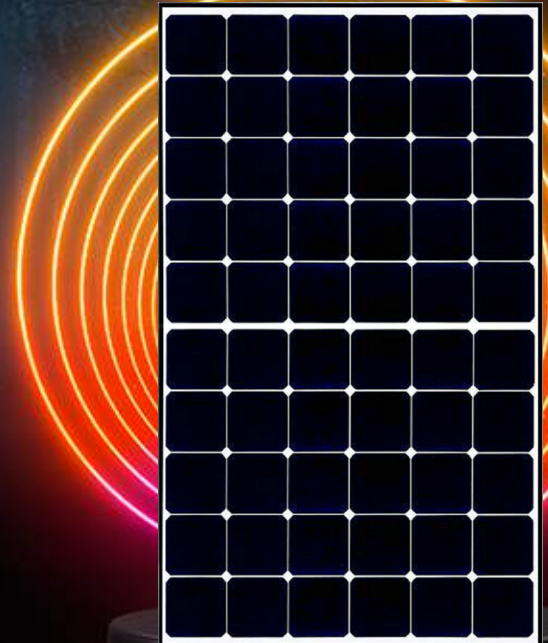


Selenso

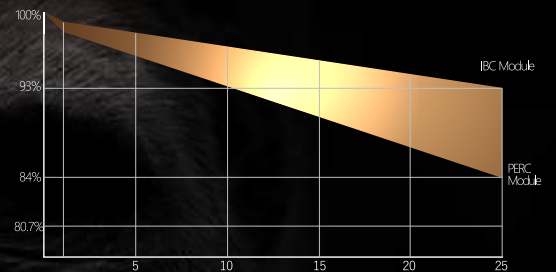
# SOLENSO Gorilla N60F 385-395W



## Feature

- Patent protection All Black design
- IBC Full black module
- N-type High reliability PV module
- Unique visual perception
- Up to 22.0% efficiency
- LID/PID Free, Low LeTID risk

## Extra Power Gain



- ✓ 25 years module product warranty
- ✓ Low power degradation
  - 93% of initial by 25years
- ✓ 25 years linear power warranty





**Electrical parameters**

Model Type	Gorilla N60F_385		Gorilla N60F_390		Gorilla N60F_395	
	STC	NOCT	STC	NOCT	STC	NOCT
Rated Power in Watts-Pmax(Wp)	385	290	390	294	395	298
Maximum Power Voltage-Vmpp(V)	35.5	32.9	35.7	33.1	35.9	33.3
Maximum Power Current-Impp(A)	10.85	8.82	10.93	8.89	11.01	8.95
Open Circuit Voltage-Voc(V)	41.8	40.0	41.9	40.1	42.0	40.2
Short Circuit Current-Isc(A)	11.72	9.42	11.83	9.49	11.94	9.57
Module Efficiency (%) *	21.5%		21.7%		22.0%	

**Mechanical parameters**

Cell Type	N-IBC 166x83mm (Half-Cell)
No. of Cells	120 (6x20)
Junction Box	Ip68 with three bypass diodes
Output Cable	4mm <sup>2</sup> , 1200mm with MC4 (Length can be customized)
Glass	3.2mm coated tempered glass
Frame	Anodized aluminum alloy frame
Dimension	1727x1039x30mm
Weight	20.0kg

**Operating Conditions**

Maximum System Voltage	1500V DC (IEC)
Operational Temperature	-40 ~+ 85°C
Maximum Series Fuse Rating	20A
Mechanical Test Load (Front)	5400Pa
Mechanical Test Load (Rear)	2400Pa

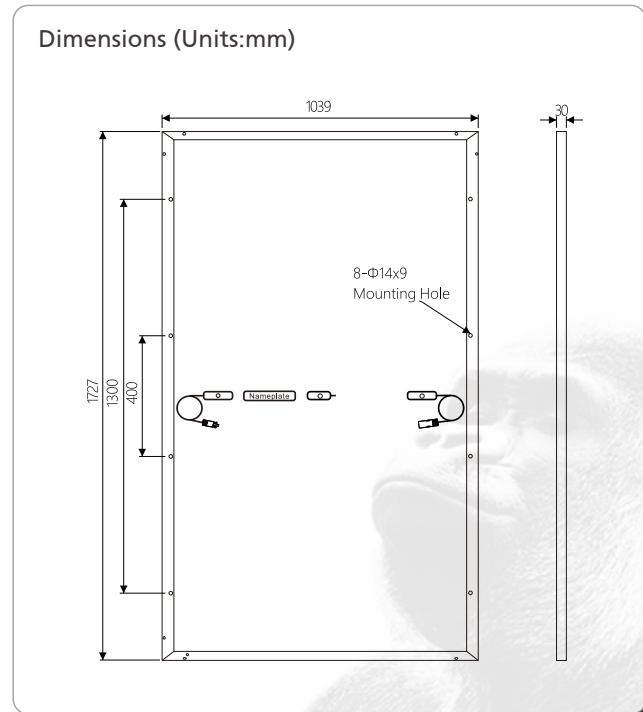
**Temperature Characteristics (STC)**

Pmax	%/°C	-0.290
Voc	%/°C	-0.246
Isc	%/°C	+0.046

**Packaging Configuration**

No. of Modules Per Stack	72
No. of Stacks Per 40ft HO container	13
No. of Modules Per 40ft HO container	936

**Dimensions (Units:mm)**



**I-V Curves (395W)**

