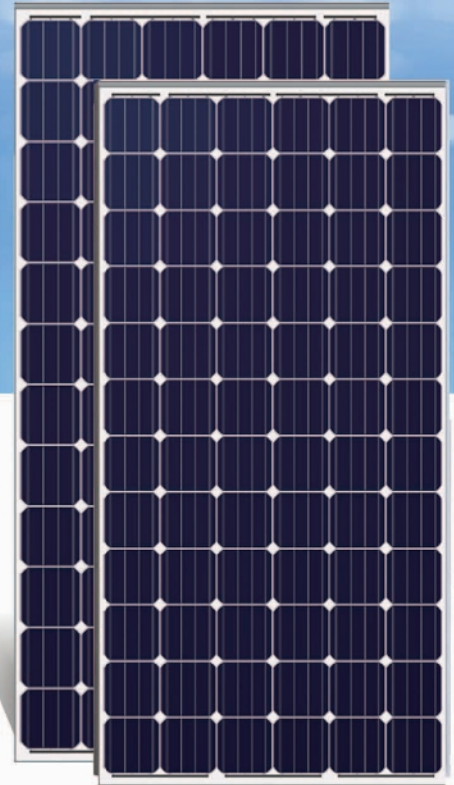


# ASSPL 72 -156.75 M 350 - 390 W



*Transforming your energy thinking*



## KEY FEATURES



PID resistant



Excellent module efficiency



Positive power tolerance to +3W



Heavy snow load 5400 Pa  
Wind load 2400 Pa



IP67 junction box for long term  
endurance



10 years product warranty



25 years Performance warranty

**Ameya Solar and Semiconductors Pvt. Ltd.** is a high-tech PV enterprises dedicated to research & development, production, sales & after sales service, mainly engaged in crystalline silicon solar panels, photovoltaic systems, and PV applications. Ameya Solar is committed to offer high quality solar components, systems and services to customers around the world.

## CERTIFICATES



- ★ ISO 9001:2015 & 14001:2015
- ★ IS 14286 - PV Modules Design Qualification & Type Approval
- ★ IEC 61215 – Crystalline Silicon Terrestrial PV Modules
- ★ IS / IEC 61730 Part 1&2 – safety qualification (1500 V)
- ★ IEC 61701 – Salt Mist Corrosion Test
- ★ IEC 62804 - PID Test
- ★ UL 1703 Fire Test
- ★ BIS R-66001040



**AMEYA SOLAR & SEMICONDUCTORS PVT. LTD.**

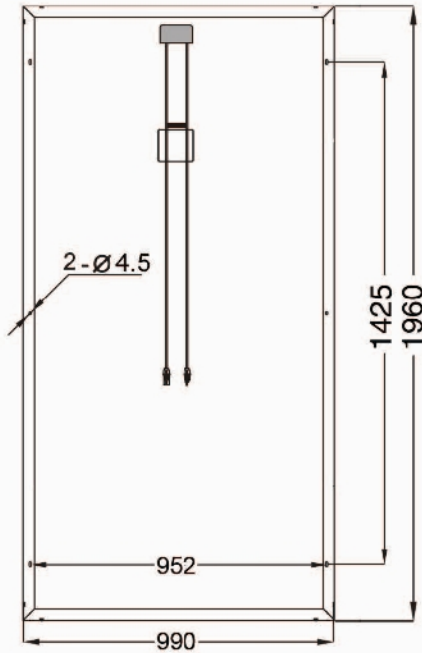
Factory Address

Survey No. 161/1/1A, Rajpeta Road, Near Maridimamba Temple,  
Nagavaram Village, Munagapaka Mandalam,  
Visakhapatnam - 531 033 Andhra Pradesh, India.

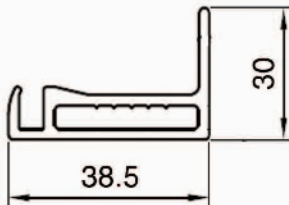
Phone1 : +91 733 738 5774 Phone2 : +91 733 738 5775

Email : mfg@ameyasolar.com Website : www.ameyasolar.com

# ASSPL 72-156.75M 350 - 390W



Module Dimension (Unit: mm)



Frame Dimension (Unit: mm)

## ELECTRICAL CHARACTERISTICS

	350	360	370	380	390
Maximum Power $P_{mp}$ , [Watt]	350	360	370	380	390
Power Tolerance, [W]	±3%	±3%	±3%	±3%	±3%
Voltage at Maximum Power Point $V_{mpp}$ , [V]	38.37	38.52	38.88	39.62	40.66
Current at Maximum Power Point $I_{mpp}$ , [A]	9.19	9.35	9.52	9.59	9.62
Open Circuit Voltage $V_{oc}$ , [V]	46.68	46.89	47.10	48.34	48.99
Short Circuit Current $I_{sc}$ , [A]	9.58	9.66	9.78	10.02	10.25
Module Efficiency, [%]	18.0	18.55	19.07	19.45	19.86

Measurements under Standard Test Conditions (STC)  
Irradiance 1000W/m<sup>2</sup>, AM1.5G Spectrum and Cell Temperature 25°C

## MECHANICAL CHARACTERISTICS

Cell Type	Mono / Mono Perc, 156.75mm x 156.75mm
Cell Configuration	72 cells (6 × 12)
Module Dimension	1960mm x 990mm x 38.5mm
Module Weight	22.5 Kgs
Glass	3.2 mm, Low Iron Tempered Solar Glass
Frame	Anodized Al alloy Type 6063 T5; Silver grey
J-Box	IP67, 1000V/1500V DC, IEC & UL certified
Cable	4.0mm <sup>2</sup> / 12 AWG, 1000mm, IP67
Connectors	MC 4

## THERMAL CHARACTERISTICS

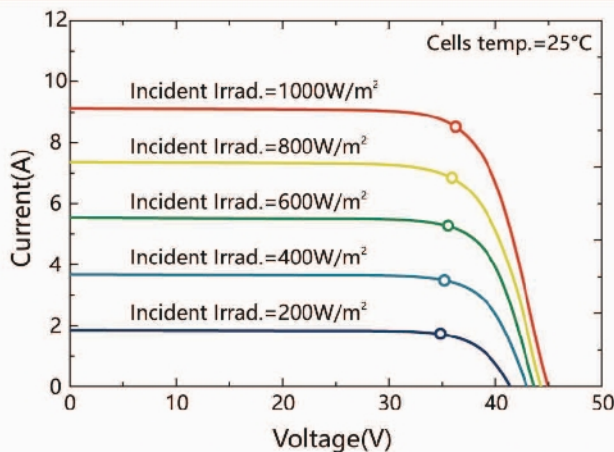
Nominal Operating Temperature NOCT	45 ± 2°C
Temperature Coefficient of $I_{sc}$ , $\alpha$	+0.049 %/°C
Temperature Coefficient of $V_{oc}$ , $\beta$	-0.28 %/°C
Temperature Coefficient of $P_{max}$ , $\gamma$	-0.37 %/°C

## MAXIMUM OPERATING INSTRUCTIONS

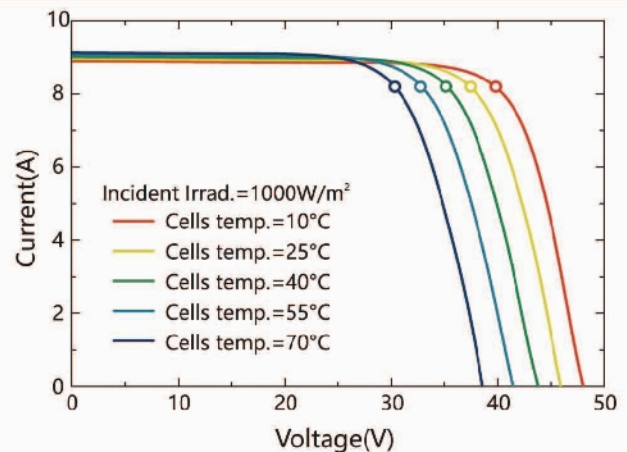
Operating Temperature	-40°C to +85°C
Maximum System Voltage	1000V/1500V
Maximum Series Fuse Rating	20A

## PACKING INSTRUCTIONS

Number Of Modules Per Box / Pallet	25
Number of Pallets / 40' Container	22



Best performance at Low Irradiance, +97% relative Module Efficiency from an Irradiance of 1000W/m<sup>2</sup> to 200W/m<sup>2</sup>



**DISCLAIMER:** Specifications included in the datasheet are subject to change without prior notice owing to continuous innovation on the Product Development and R&D activities. Ameya Solar reserves the right to make any adjustment to the information described here. Dataset contained in this specification do not form a representative of a single module's data.