

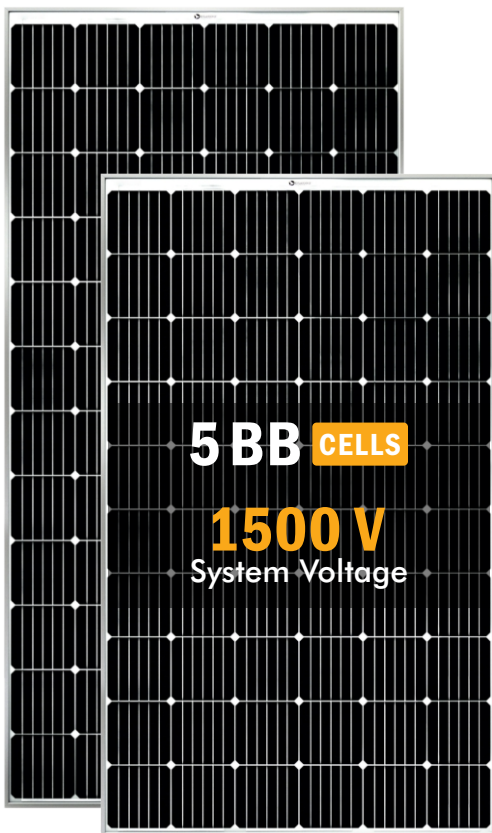
PERC PV Modules



60 Cell - PERC Monocrystalline - 310-330 W
72 Cell - PERC Monocrystalline - 375-395 W



bluebird SOLAR
co-powering the future



New generation PERC cell technology.



Higher Cell Efficiency than standard PV modules.



Better power output per unit area.



Lower shading losses.



Lower temperature co-efficient.



Reduced BOS cost.

Why Bluebird ?

- ◆ Backed by a 40 year old reputed brand name.
- ◆ Use of Tier-1 raw material.
- ◆ Intensive R&D, and stringent QC.
- ◆ Highest standards of product performance.
- ◆ Robust supply chain & logistics.

More Reliable Products

- ▮ PID Resistant 5BB cells and encapsulants.
- ▮ Salt mist & ammonia resistant.
- ▮ AR Coated tempered PV grade glass.
- ▮ Only positive power tolerance.
- ▮ Excellent low light performance.
- ▮ Certified to withstand harsh environmental conditions.
- ▮ 100% EL Inspected to ensure micro crack free modules.



Applications



On-grid Large scale utility projects



On-grid rooftop Industrial & commercial system



Off-grid rooftop systems for residential buildings



Solar water pumping systems



Off-grid systems for Filling Stations



Electric Vehicles charging station



Street lighting applications



Module Series	PERC MONOCRYSTALLINE					
	60 Cells			72 Cells		
	BBS MP 310	BBS MP 320	BBS MP 330	BBS MP 375	BBS MP 385	BBS MP 395

Electrical Characteristics at STC:

Parameter	BBS MP 310	BBS MP 320	BBS MP 330	BBS MP 375	BBS MP 385	BBS MP 395
Maximum Power Pmax (Wp)	310.00	320.00	330.00	375.00	385.00	395.00
Maximum Voltage Vmpp (V)	32.60	33.17	33.75	39.27	40.22	41.40
Maximum Current Impp (A)	9.51	9.65	9.78	9.55	9.57	9.55
Open Circuit Voltage Voc (V)	40.30	40.78	41.30	48.47	49.05	49.50
Short Circuit Current Isc (A)	10.04	10.18	10.32	10.06	10.17	10.23
Module Efficiency (%)	18.80	19.40	20.00	19.00	19.50	20.00

STC: 1000W/m² irradiance, 25°C cell temperature, AM1.5G spectrum according to EN 60904-3
Average relative efficiency reduction of <5% for every 200W/m² reduction in Irradiance, according to EN 60904-1

Electrical Characteristics at NOCT:

Parameter	BBS MP 310	BBS MP 320	BBS MP 330	BBS MP 375	BBS MP 385	BBS MP 395
Maximum Power Pmax (Wp)	224.30	237.00	244.00	282.00	285.00	292.00
Maximum Voltage Vmpp (V)	33.88	31.32	31.96	38.30	37.64	38.25
Maximum Current Impp (A)	6.62	7.56	7.64	7.36	7.57	7.65
Open Circuit Voltage Voc (V)	41.65	38.56	39.16	47.20	46.47	47.09
Short Circuit Current Isc (A)	7.02	8.01	8.24	7.82	8.03	8.11

NOCT: 800W/m² irradiance, 20°C ambient temperature, Wind Speed 1m/sec

Temperature coefficient (Tc) and permissible operating conditions

Tc of Open Circuit Voltage (β)	-0.300%/°K
Tc of Short Circuit Current (α)	0.060%/°K
Tc of Power (γ)	-0.370%/°K
NOCT	46 ± 2°C
Maximum series fuse ratings	20A
Temperature Range	-40°C to +85°C
Maximum System Voltage	1000/1500 V DC

Mechanical Data

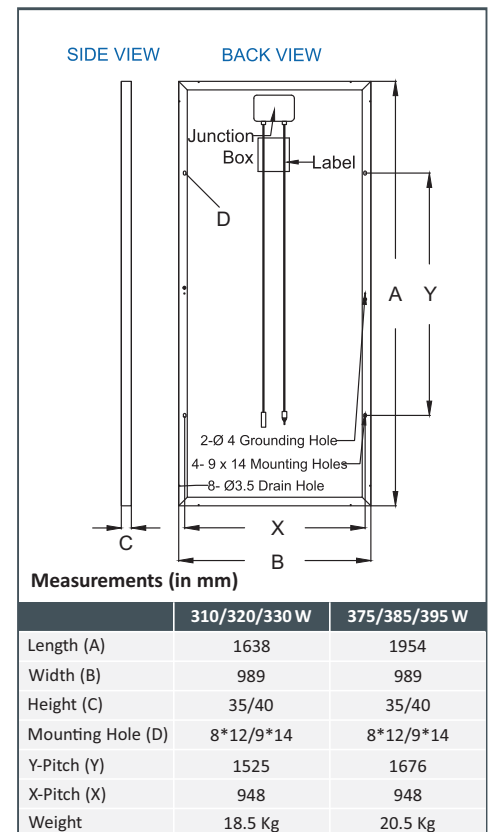
Dimension (LxWxH)	1638mm x 989mm x 40mm / 1954mm x 989mm x 40mm (+/-1.5mm)
Solar Cells	Mono 60(10x6) Mono PERC Solar cells, 5BB, (156.75 x 156.75mm - 6 inch) Mono 72(12x6) Mono PERC Solar cells, 5BB, (156.75 x 156.75mm - 6 inch)
Weight	18.5 Kg / 20.5 Kg
Junction Box	IP 67 rated with 3 bypass diodes
Cables & Connectors	4 sq. m solar cable 1000mm, 2 Nos. black MC4 connectors
Superstrate	3.2 mm high transmission low iron tempered glass (AR coated/Non coated)
Cell Encapsulant	EVA (Ethylene Vinyl Acetate) - FC/UFC
Backsheet	Composite Film - White (Black & Transparent optional)**
Frame	Silver Anodized Aluminum frame with twin wall profile
Application Class	Class A (safety class II)
Mechanical Load Test	Sustain heavy static load (2400 Pa & 5400 Pa or 550 kg/m ²)

**Refer to Bluebird Solar's warranty documents for terms and conditions

**Black and transparent backsheet without ICE certification

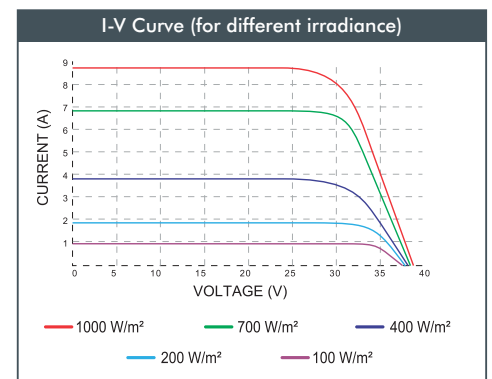
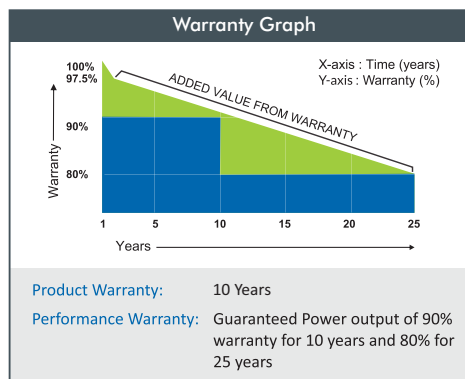
Specification and electrical data included in this datasheet are subject to change without notice. Please confirm your requirements with the company representative while placing your order.

Note: It is mandatory to make negative grounding of modules in all installation to avoid PID Issue.



Approvals and certifications	
Products:	IEC 61215 Ed 2, ROHS, IEC 61730 IEC 61701, CE, UL 1703, CEC, CE,
Manufacturing:	ISO 9001:2015, ISO 14001: 2015 ISO 45001:2018

Packaging Information		
Container	20'GP	40'GP
Pallets/Container	10/12	24/28
Pieces/Container	300/360	720/840



CORPORATE OFFICE

70, Rajasthani Udyog Nagar Industrial Area, G.T. Karnal Road,
(Oppsite Jahangirpuri Metro Station) Delhi-110033

WORKS

Plot No.5, Ecotech, Udyog Vihar, Greater Noida,
Uttar Pradesh-201306