

Half-Cell

ZPM525~550HH-72

Monocrystalline PV modules



ZONERGY



21.3%

Module Efficiency



Multi Busbar Technology

Better light trapping and current collection to improve, Effectively improve the module's power output and reliability



Low Light Performance

The special solar cell technology has excellent low light power generation performance.



Adaptability To Harsh Environments

High performance materials are suitable for coastal, farm, desert and other harsh environmental conditions, glass surface is anti-reflective and easy to clean, minimizing power generation losses caused by dirt and dust.



Higher Output Power

Module output power increased to 550W



Better Resistance To Hot Spots

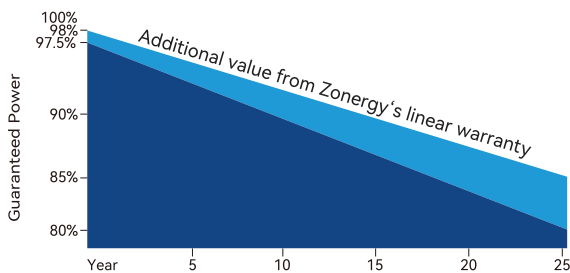
The use of half cell structure and special circuit design is less shade loss, with better temperature coefficient and thermal spot resistance ability



Fireproof Performance

Glass C

LINEAR PERFORMANCE WARRANTY



10 YEARS product warranty

25 YEARS linear power warranty



Electrical Data (STC)

| | | | | | | |
|---|----------------|-------|-------|-------|-------|-------|
| Maximum Power (Pmax/W) | 525 | 530 | 535 | 540 | 545 | 550 |
| Open Circuit Voltage (Voc/V) | 48.95 | 49.15 | 49.35 | 49.55 | 49.75 | 49.95 |
| Short Circuit Current (Isc/A) | 13.67 | 13.74 | 13.82 | 13.89 | 13.97 | 14.05 |
| Voltage at Maximum Power (Vmp/V) | 41.10 | 41.27 | 41.45 | 41.62 | 41.80 | 41.97 |
| Current at Maximum Power (Imp/A) | 12.78 | 12.85 | 12.91 | 12.98 | 13.05 | 13.11 |
| Module Efficiency (%) | 20.30 | 20.50 | 20.70 | 20.90 | 21.10 | 21.30 |
| Operating Temperature | -40°C~+85°C | | | | | |
| Maximum System Voltage | DC 1500V (IEC) | | | | | |
| STC (Standard Testing Conditions): Irradiance 1000W/m ² , Cell Temperature 25°C, AM1.5 | | | | | | |

Electrical Data (NMOT)

| | | | | | | |
|---|-------|-------|-------|-------|-------|-------|
| Maximum Power (Pmax/W) | 396 | 400 | 404 | 407 | 411 | 414 |
| Open Circuit Voltage (Voc/V) | 46.00 | 46.13 | 46.26 | 46.38 | 46.50 | 46.63 |
| Short Circuit Current (Isc/A) | 10.95 | 10.99 | 11.03 | 11.08 | 11.12 | 11.17 |
| Voltage at Maximum Power (Vmp/V) | 38.35 | 38.55 | 38.76 | 38.95 | 39.16 | 39.31 |
| Current at Maximum Power (Imp/A) | 10.33 | 10.38 | 10.43 | 10.46 | 10.50 | 10.53 |
| NMOT (Nominal Module Operating Temperature): Irradiance 800W/m ² , Ambient Temperature 20°C, AM1.5, Wind Speed 1m/s. | | | | | | |

Mechanical Data

| | |
|-------------------|--------------------------------------|
| Cell Type | 182mm Mono |
| Cell Orientation | 144(6*24) |
| Module Dimensions | 2279×1134×35mm |
| Weight | 28.5kg |
| Glass | 3.2 mm Glass + EVA film + Back |
| Frame Material | Anodized Aluminum Alloy |
| Junction Box | IP68, three diodes |
| Cable | 4mm ² , (+)300mm/(-)400mm |

Temperature Coefficients

| | |
|-------------------------------|------------|
| Temperature Coefficient (Pm) | -0.350%/°C |
| Temperature Coefficient (Voc) | -0.276%/°C |
| Temperature Coefficient (Isc) | 0.046%/°C |

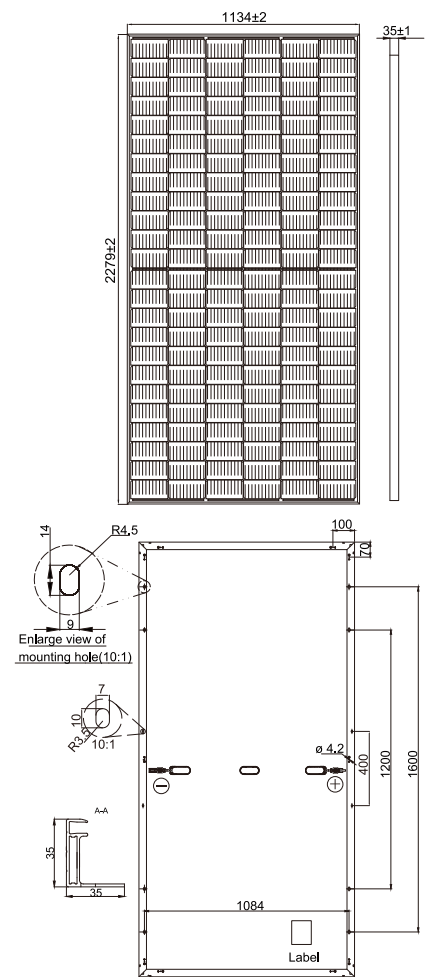
Operating Parameters

| | |
|---|--------------|
| Maximum System Voltage | DC1500 (IEC) |
| Series Fuse Rating | 25A |
| Operating Temperature | -40°C ~+85°C |
| NMOT (Nominal Module Operating Temperature) | 45±2°C |

Packaging

| | | |
|------------------------|-------------------------------|------------------------------|
| Transportation methods | Number of modules per cabinet | Number of modules per pallet |
| 40HQ container | 620pcs | 31pcs +31pcs |

Module Dimensions (mm)



I-V Curve

