

# BAUER

Solartechnik GmbH



## BS-6MB5-EL

Monocrystalline solar module 300 - 310 W



### PERFORMANCE GUARANTEE

20 years product warranty and a linear performance guarantee over a period of 25 years



### CERTIFICATION

Permanent in-house quality control, multiple certifications by accredited inspection bodies



### EFFICIENCY

High efficiency for optimum yield - innovations directly influence the production process



### POSITIVE POWER TOLERANCE

Exclusive delivery of solar modules with positive power tolerance only



### WEATHER-RESISTANT

Standardized mechanical load test guards against damage from wind and weather



### GERMAN GUARANTOR

In case of need it is ensured that a German company assumes the claim settlement



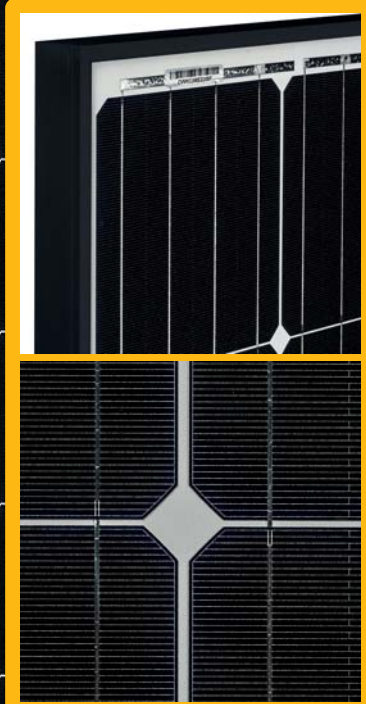
### SAFETY

High-quality components ensure maximum protection in all weather conditions



### HANDLING

Low storage / transport cost and easy installation thanks to an intelligent packaging concept



PROVEN & GUARANTEED BY  
**BAUER SOLARTECHNIK**  
HIGH QUALITY STANDARDS BY GERMAN ENGINEERS



## Mechanical Data

|                    |  |
|--------------------|--|
| Cell type          | monocrystalline / PERC                     |
| Cell formation     | 6 x 10 (60)                                |
| Module dimensions  | 1640 x 990 x 35 mm                         |
| Front cover        | tempered glass, 3,2 mm                     |
| Weight             | 18,3 kg                                    |
| Frame material     | anodized aluminium alloy                   |
| Module back        | TPT foil                                   |
| Embedding material | EVA  |
| Connection         | junction box $\geq$ IP 65                  |
| Number of diodes   | 3 x 2 bypass diodes                        |
| Cabel / connector  | 4 mm <sup>2</sup> , 900 mm, MC4-compatible |

## Temperature coefficients

|                                     |              |
|-------------------------------------|--------------|
| Nom. operating cell temp. (NOCT)    | 45°C $\pm$ 2 |
| Temperature coefficient of $I_{sc}$ | +0,050 %/K   |
| Temperature coefficient of $V_{oc}$ | -0,290 %/K   |

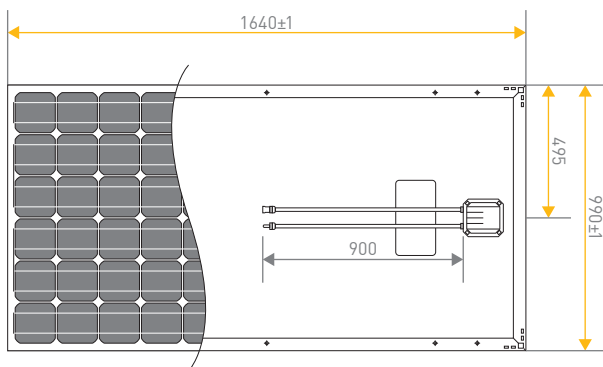
## Operational conditions

|                            |                                |
|----------------------------|--------------------------------|
| Maximum system voltage     | 1000 V DC (TÜV)                |
| Operating temperatur       | -40 bis 85°C                   |
| Maximum series fuse rating | 20 A                           |
| Static load (snow/wind)    | 5400 Pa                        |
| Hail                       | $\varnothing$ 25 mm bei 23 m/s |

## Electrical data<sup>1</sup>

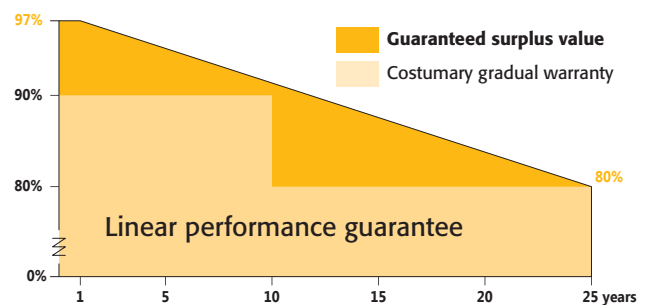
|   | BS-300-6MB5-EL | BS-305-6MB5-EL | BS-310-6MB5-EL |
|---|----------------|----------------|----------------|
| Nominal maximum power $P_{max}$ (W <sub>p</sub> ) | 300 W          | 305 W          | 310 W          |
| Power output tolerance $P_{max}$ (%)              | 0 ~ +3         | 0 ~ +3         | 0 ~ +3         |
| Optimum operating voltage $V_{mpp}$ (V)           | 32,20          | 32,40          | 32,60          |
| Optimum operating current $I_{mpp}$ (A)           | 9,31           | 9,42           | 9,52           |
| Short circuit current $I_{sc}$ (A)                | 9,60           | 9,72           | 9,81           |
| Open circuit voltage $V_{oc}$ (V)                 | 39,80          | 39,90          | 40,00          |
| Module efficiency $\eta_m$ (%)                    | 18,48          | 18,78          | 19,09          |

## Dimensions



## Warranty conditions<sup>2</sup>

|                       |                                    |
|-----------------------|------------------------------------|
| Product warranty      | 20 years                           |
| Performance guarantee | 25 years (min. 80% after 25 years) |



## Packaging units

|                    |         |
|--------------------|---------|
| Modules per pallet | 30 pcs  |
| Modules per truck  | 840 pcs |

## Qualification & certification

|                                     |  |
|-------------------------------------|--|
| IEC 61215:2005                      |  |
| IEC 61730-1:2004 / IEC 61730-2:2004 |  |

<sup>1</sup>Values under Standard Test Conditions (STC): air mass 1,5 AM, irradiance 1000 W/m<sup>2</sup>, cell temperature 25°C. STC measuring tolerance:  $\pm 3$  % ( $P_{max}$ ),  $\pm 10$  % ( $V_{max}$ ,  $I_{mpp}$ ,  $V_{oc}$ ,  $I_{sc}$ ). <sup>2</sup>Nominal value is specified in the written warranty conditions. Note: Please read safety instructions and installation manual before using this product. Subject to change. © 2017 Bauer Energiekonzepte GmbH. Effective 13th of october 2017.



Vertrieb:

**BAUER** **ENERGIEKONZEPTE**

Bauer Energiekonzepte GmbH  
Hinter der Mühle 2 · D-55278 Selzen

Telefon: +49 (0) 6737 - 8081 - 60  
Fax: +49 (0) 6737 - 8081 - 66

info@bauer-energiekonzepte.de  
www.bauer-energiekonzepte.de