

# Three-phase On-grid String Inverter

SPI3K~15K-B



## Product Features

### Efficient and flexible

- 2 independent MPPT, max. conversion efficiency 98.6%
- Advanced control algorithms and high adaptation ability to the grid, improving the stability of power generation system

### Safe and reliable

- IP65 for outdoor application
- Integrated AC/DC full lightning protection
- Aluminum alloy die-casting integrated chassis, ensure 25 years full life circle running

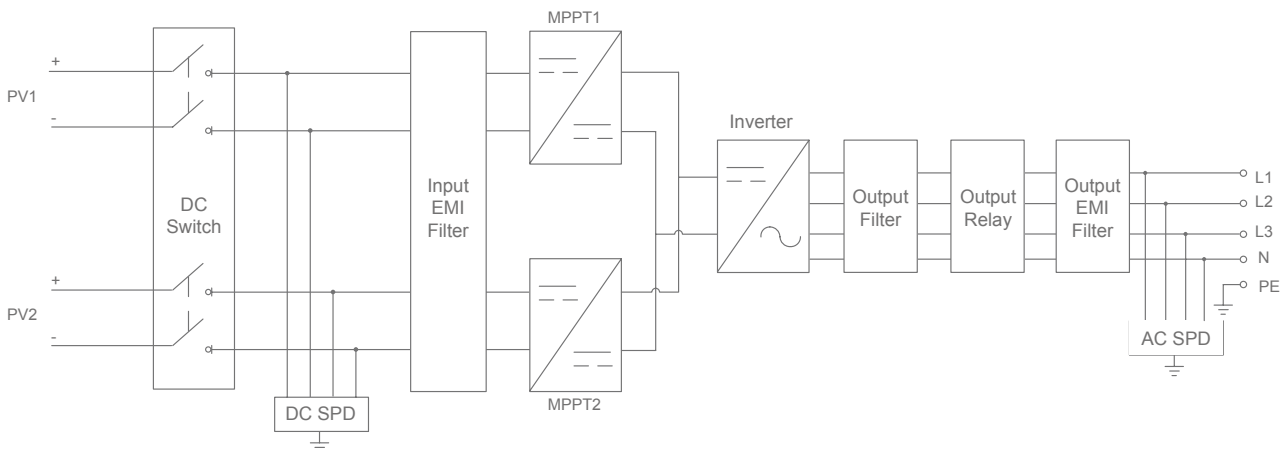
### Intelligent management

- I&V Intelligent diagnosis, accurate identification and positioning of abnormal PV panels
- Support RS485, Wifi, GPRS communication
- Remote online upgrade, convenient and efficient

### Grid friendly

- Grid-connected current harmonics <3%, green adapts to grid
- Ultra wide grid voltage range

## Function Diagram



# Technical Specification

Items	SPI3K-B	SPI4K-B	SPI5K-B	SPI6K-B	SPI8K-B	SPI10K-B	SPI12K-B	SPI15K-B
<b>DC Input</b>								
Max. PV input voltage	1000Vdc							
Max. PV input current	13A+13A							
No. of MPPTs	2							
No.of PV strings per MPPT	1/1							
MPPT voltage range	200Vdc~950Vdc							
Starting voltage	200Vdc							
MPPT efficiency	>99.90%							
<b>AC Output</b>								
Rated AC output power	3kW	4kW	5kW	6kW	8kW	10kW	12kW	15kW
Max. output power	3.3kVA	4.4kW	5kW	6.6kW	8.8kW	11kW	13.2kW	16.5kVA
Rated AC output voltage	380/400/415Vac							
Rated output current	4.3A	5.8A	7.3A	8.7A	11.6A	14.5A	17.4A	21.7A
Max. output current	4.7A	6.4A	8.0A	9.6A	12.8A	15.9A	19.1A	23.9A
Rated grid frequency	50Hz/60Hz							
Grid frequency range	45~55Hz/55~65Hz							
Power factor	>0.99 (full load)							
Adjustable power factor	0.8 (leading)~0.8 (lagging)							
THDi	<3% (rated power)							
<b>Efficiency</b>								
Max. efficiency	98.50%							
European efficiency	98.00%							
<b>Protection</b>								
Anti-islanding	Yes							
DC reversed connection	Yes							
AC short circuit protection	Yes							
Temperature protection	Yes							
Surge protection	Yes							
PV fault detect	Yes							
DC switch	Yes							
<b>General</b>								
Dimensions (W×H×D)	480×420×180mm							
Weight	18.5kg							
IP grade	IP65							
Self-consumption at night	<1W							
Cooling type	Natural cooling							
Altitude	4000m (>3000m derating)							
Operating temperature	-25°C~+60°C (>45°C derating)							
Relative humidity	0~100%							
Display	LCD+LED							
Communication	RS485/WiFi (optional)/GPRS (optional)/DRM (Australia)							
DC terminal	MC4 Terminal							
AC terminal	OT Terminal							
Installation method	Wall-mounted							
Standard	EN62109-1, EN62109-2, AS/NZS4777.2: 2015, EN 61000-6-2, EN 61000-6-3, EN50549-1, IEC 62116:2014, IEC 61727: 2004, IEC 60068-2-1: 2007, IEC 60068-2-2: 2007, IEC60068-2-14: 2009, IEC61683 (ed.1), CEI021							

- Specifications are subject to change without prior notice.

## Kehua Tech

Add: No. 457, Malong Road, Torch High-Tech Industrial Zone, Xiamen Fujian China

Tel: +86-592-5160516 Fax: +86-592-5162166 www.kehua.com

