



48V 50AH-600AH

RACK-MOUNTED

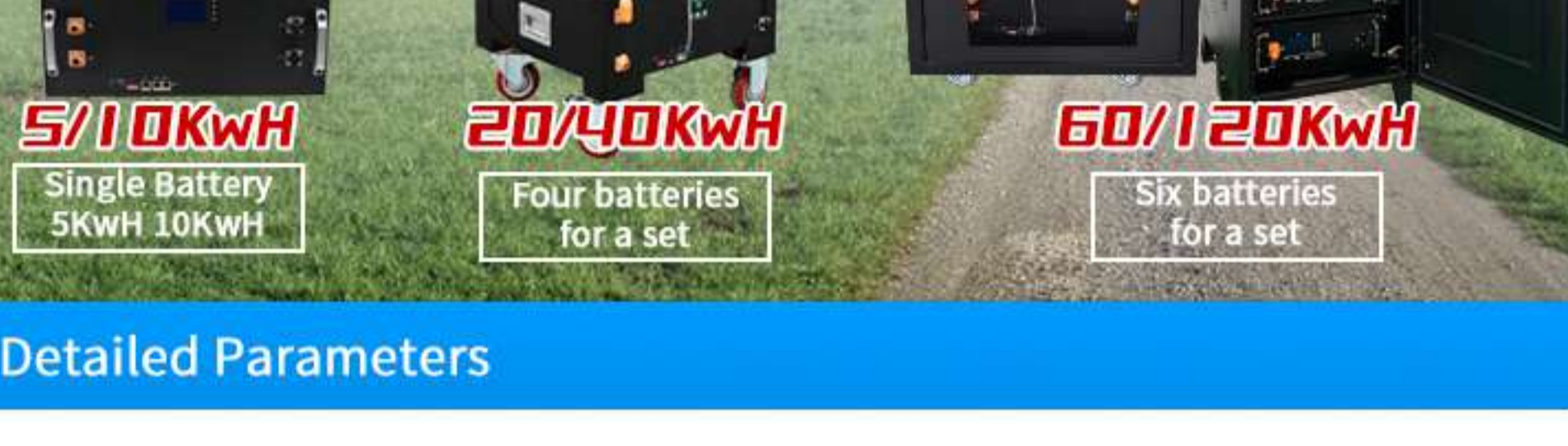
Base station communication lithium battery

- 9 years industry experience
- Professional R&D Team
- Complete certificate

Rack mount energy storage battery and home energy storage battery can be equipped with LCD screen, convenient setting button to monitor the battery status in APP on your smartphone. It comes with the manual of related network cable accessories for your easy installation and use, we support OEM & ODM, welcome to consult and cooperate.

Rack-Mounted synthesis for higher capacity or higher voltage.

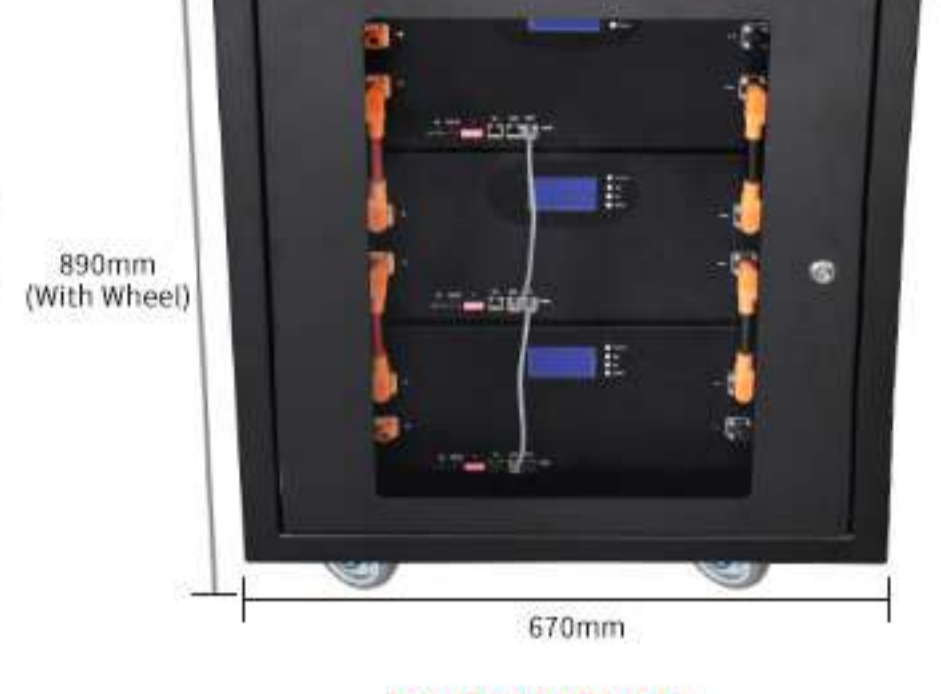
CD Rack mounted battery with RS485&CAN communication with PC and smart LCD for monitoring.



Detailed Parameters



51.2V200AH
Rack-Mounted Battery

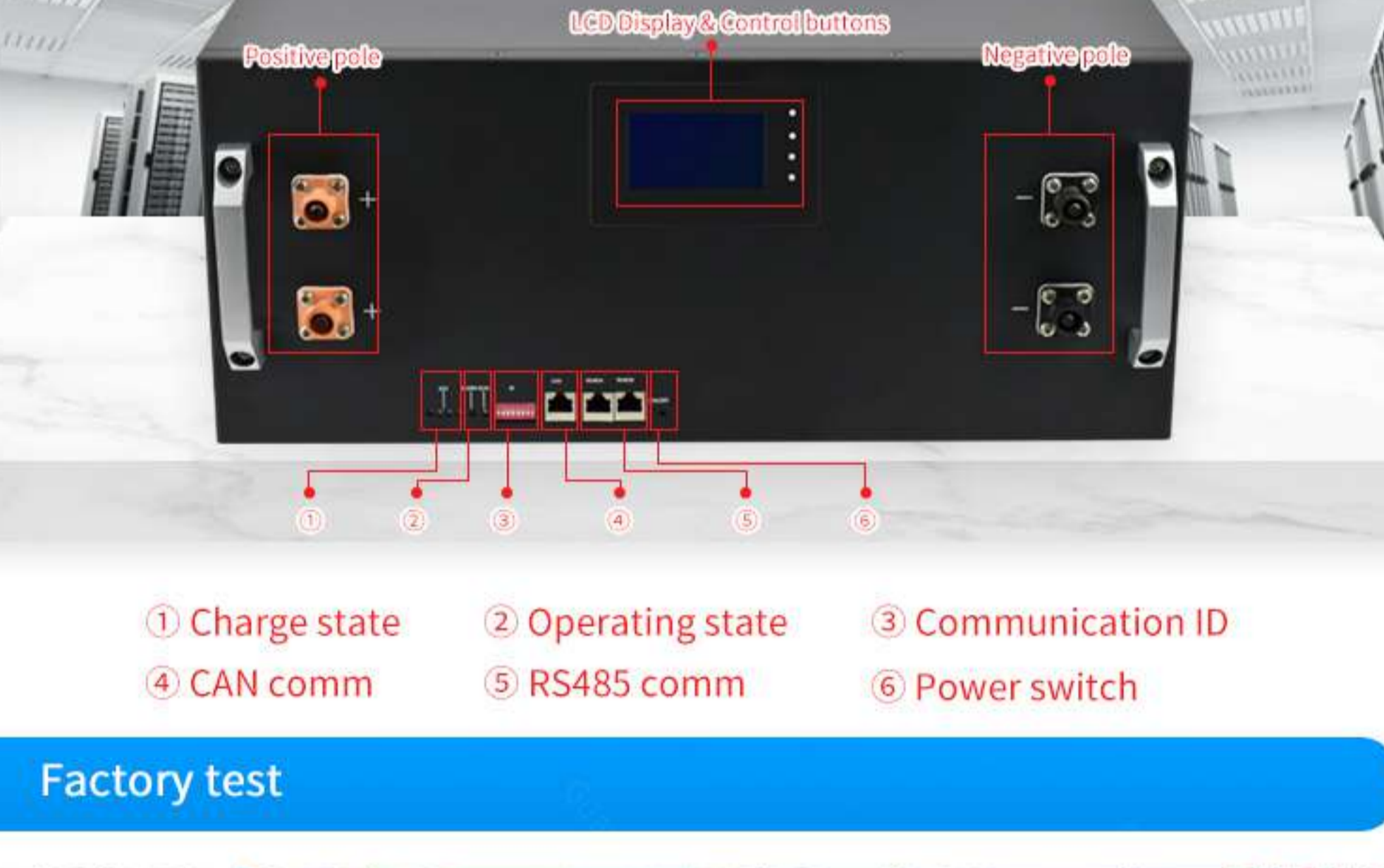


51.2V600AH
Rack-Mounted Battery

Supports use with popular of inverters

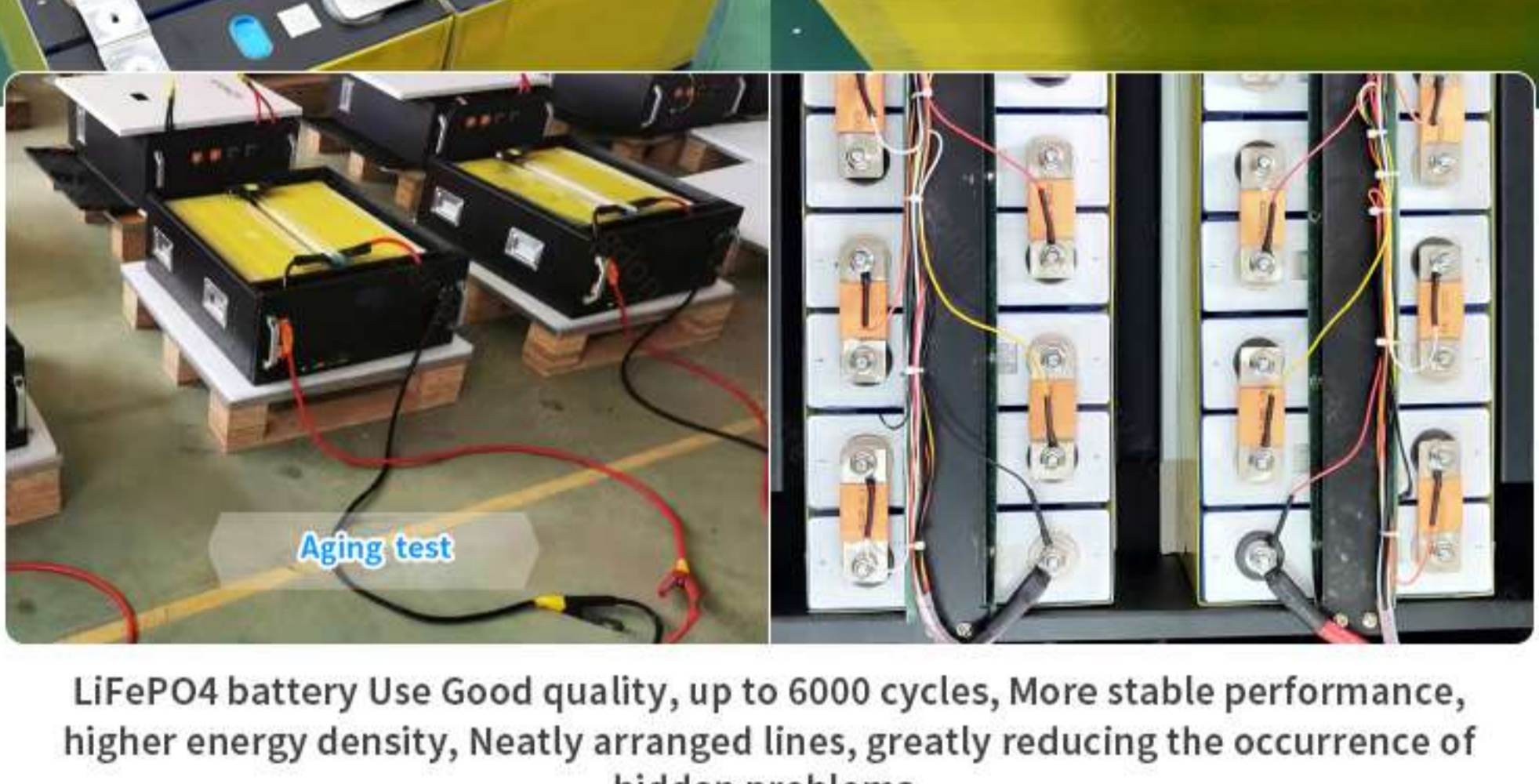


Product Interface



- ① Charge state
- ② Operating state
- ③ Communication ID
- ④ CAN comm
- ⑤ RS485 comm
- ⑥ Power switch

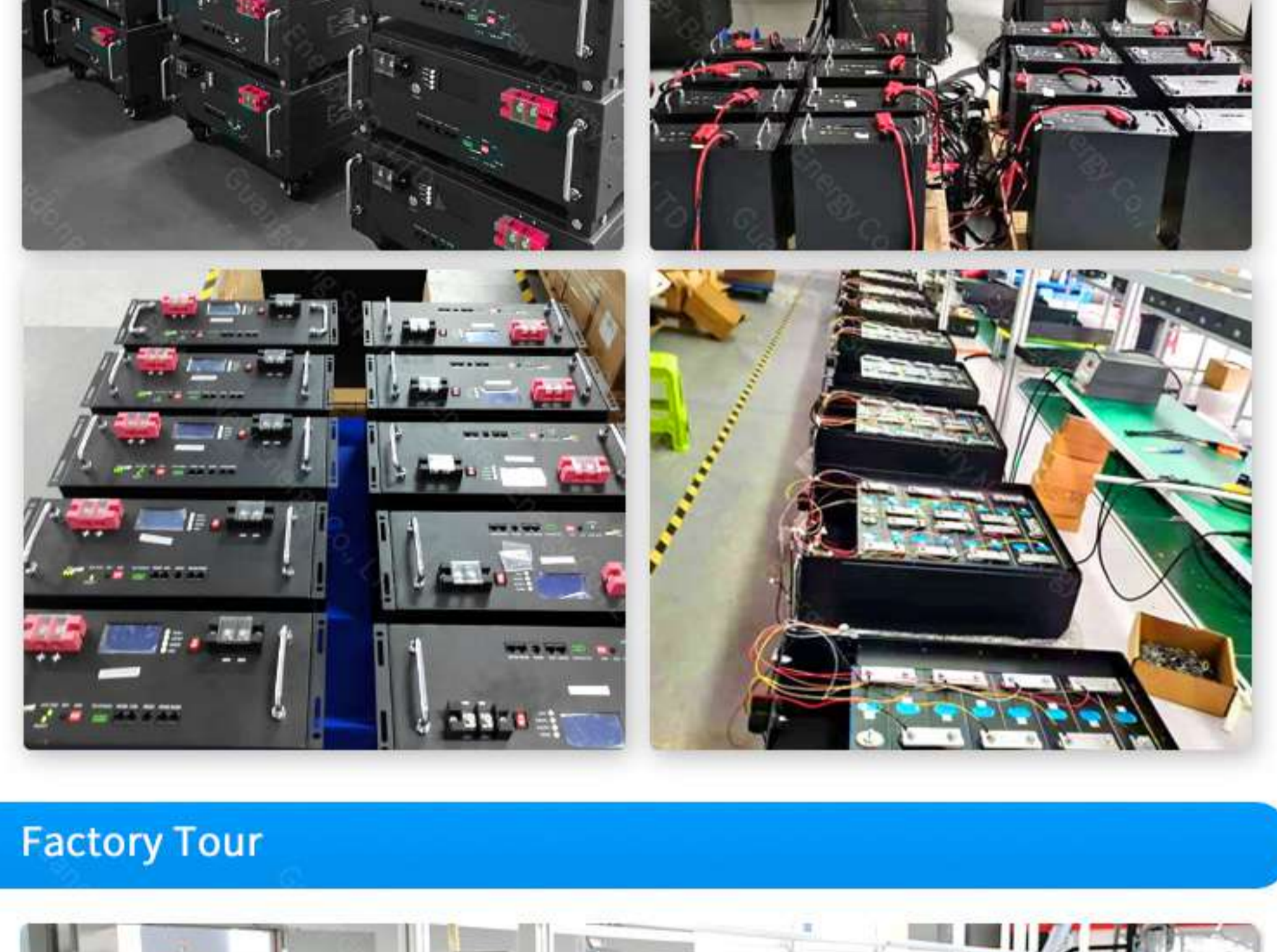
Factory test



LiFePO4 battery Use Good quality, up to 6000 cycles, More stable performance, higher energy density, Neatly arranged lines, greatly reducing the occurrence of hidden problems.



Production show



Factory Tour

