

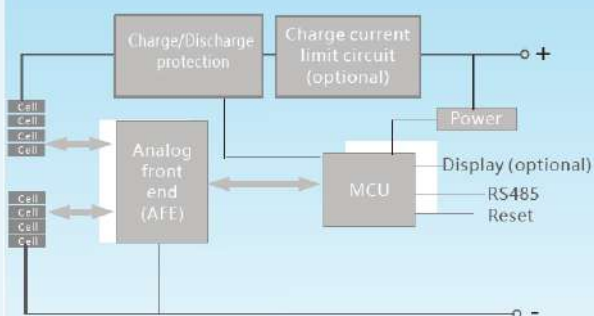
RESS ePower Series

48V 2.4KWh

48V 4.8KWh



ACERESS4805



CIRCUIT TOPOLOGY

Advanced Features

- ◆ Up to 10 years service life and more than 6000 cycles
- ◆ Compact modular design gives the end customers the choice of capacity
- ◆ Deliver up to 5KW with a single module
- ◆ Compatible with most of the available Hybrid inverters
- ◆ Simple buckle fixing minimize the installation time and cost
- ◆ Product certification CE, IEC 62619, UL1973, UN 38.3, RoHS
- ◆ Multiple safety fault protection settings to fit transportation mode, sleep mode and permanent failure mode
- ◆ Intelligent battery management system inside

Product Introduction

The ACE residential energy storage system (RESS) ePower series battery packs can work with a solar energy storage systems and optimize system performance, absorb excessive PV electricity and supply power for residence whenever needed. This product can be wall mounted or floor mounted and allows for parallel connection.

Application Scenarios

- ◆ Residential application
- ◆ Small commercial or industrial areas
- ◆ Telecom base stations
- ◆ Micro off-grid systems



48V Li-ion Battery

Specifications

Model	ACERESS4805	ACERESS4810
Rated Voltage [V]	48	48
Rated Capacity [Ah]	50	100
Total Energy [KWh]	2.4	4.8
Inner Resistance [mΩ]	≤20	≤20
Charge Voltage [V]	52.5	52.5
Max. Charge Current [A]	50	100
Recommend Charge Current [A]	10~15	20~30
Continuous Discharge current [A]	50	100
Peak Discharge current [A]	75	150
Dimensions [L*W*H, mm]	600*438*86.2	600*438*129
Weight [Kg]	29.5	59
Cycle	>4500cycles	
IP Grade	20	
Charge Operating Temperature	0°C~50°C	
Discharge Operating Temperature	0°C~50°C	
Relative Humidity	20%RH-80%RH	
Communication Port	RS485, RS232, CAN	
Certification	CE, IEC62619, UL1973, UN38.3, RoHS	

■ Battery pack in parallel install process to system, diagram for battery pack in parallel install process to system as below.

