

MONO CRYSTALLINE - TRI-CUT CELL TECHNOLOGY

425 / 430 / 435 / 440 / 445 Watts



Jaguar Series

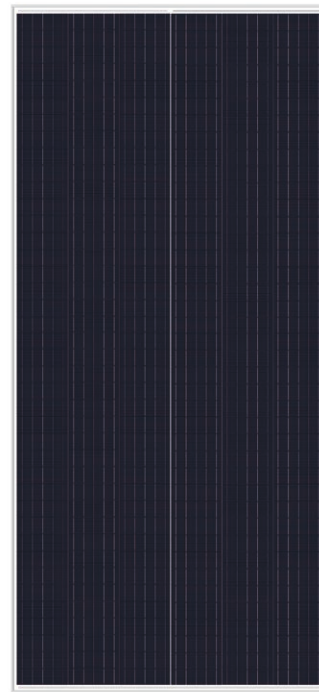


The next generation of PV modules

Tri-Cut Cell Technology (TCC) reduces resistive power losses. The Extended Matrix-Interconnection Technology minimizes power loss due to shading effect. The 0 Gap Technology increases the active area and leads to higher efficiency.

Key Benefits

	Higher yield per surface area		Low Pmax at - 0.300 % / °C
	Minimized risk of hot-spots		15 Years Limited Product Warranty
	Low LCOE		Low Resistive Losses



Outstanding performance under extreme heat as well as low intensity solar radiation



Industry leading low Pmax thermal coefficient

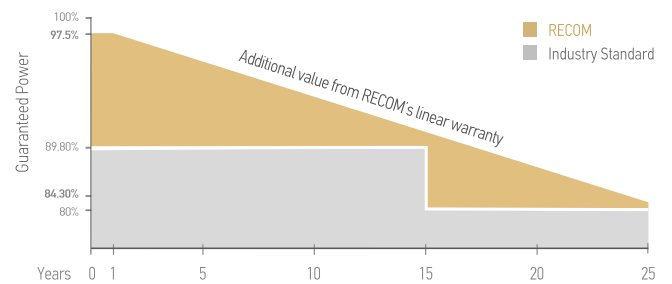


100 % electro-luminescence tested

Tests, Certifications and Warranties

Standard Tests	IEC 61215, IEC 61730
Factory Quality Tests	ISO 9001: 2015, ISO 14001: 2015
Certifications	Conformity to CE, PV CYCLE Fire safety Class C according to UL790
Insurance	Product liability insurance provided by Allianz
Wind and Snow Loads Testing	Module certified to withstand extreme wind (2400 Pascal) and snow loads (5400 Pascal)
Power Tolerance	Guaranteed +0%/+5% (STC condition)
Warranties	<ul style="list-style-type: none"> 15-year limited product warranty 15-year manufacturer warranty on 89.80% of the nominal performance 25-year transferable linear power output warranty

Linear Performance Warranty



First Year Output $\geq 97.5\%$ 2-25 Year Decline $\leq 0.55\%$ 25 Year Output $\geq 84.3\%$

MONO CRYSTALLINE - TRI-CUT CELL TECHNOLOGY

RCM-xxx-6MJ (xxx=425-445)

Electrical Characteristics

POWER CLASS ⁽¹⁾			425		430		435		440		445	
Testing Condition			STC ⁽²⁾	NMOT ⁽³⁾	STC	NMOT	STC	NMOT	STC	NMOT	STC	NMOT
Maximum Power	P _{max}	[Wp]	425	318	430	322	435	326	440	330	445	334
Maximum Power Voltage	V _{mp}	[V]	44.84	41.80	45.04	42.10	45.23	42.40	45.42	42.70	45.60	43.01
Maximum Power Current	I _{mp}	[A]	9.48	7.61	9.55	7.65	9.62	7.69	9.69	7.73	9.76	7.77
Open Circuit Voltage	V _{oc}	[V]	53.62	50.80	53.88	51.19	54.13	51.57	54.38	51.95	54.62	52.32
Short Circuit Current	I _{sc}	[A]	10.02	8.13	10.09	8.17	10.16	8.21	10.23	8.25	10.30	8.29
Module Efficiency	Eff	[%]	19,88		20,11		20,35		20,58		20,81	
Maximum Series Fuse	I _R	[A]	20									
Maximum System Voltage	V _{sys}	[V]	1.000 VDC / 1.500 VDC (IEC)									

(1) Measurement Tolerances: P_{max} (± 3%), I_{sc} & V_{oc} (± 5%) - Power Classification 0/+5W

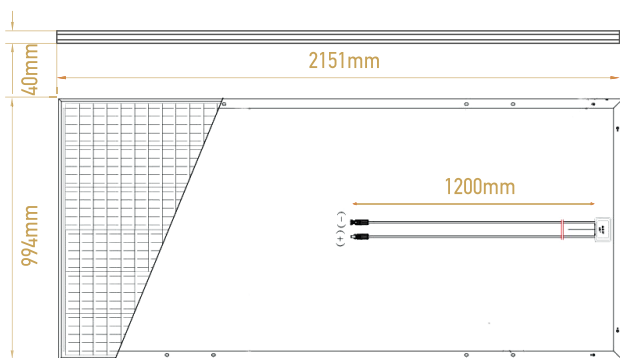
(2) STC (Standard Testing Condition): Irradiance 1000W/m², Cell Temperature 25°C, AM 1.5

(3) NMOT (Nominal Operating Module Temperature): Irradiance 800W/m², NMOT, Ambient Temperature 20°C, AM 1.5, Wind Speed 1m/s

Mechanical Data

Dimensions	2151mm x 994mm x 40mm
Weight	24.0 Kg
Cell Type	Mono Perc - 158,75mm - "G1"
Front Glass	3.2 mm, High Transmission, AR Coated Heat Strengthened Glass
Rear Side	PET synthetic film
Frame	Aluminium aluminium alloy
Junction Box	IP68 rates (3 bypass diodes)
Connector	MC4 compatible
Output cable	4mm ² - length = 1200mm or customized

Dimensions

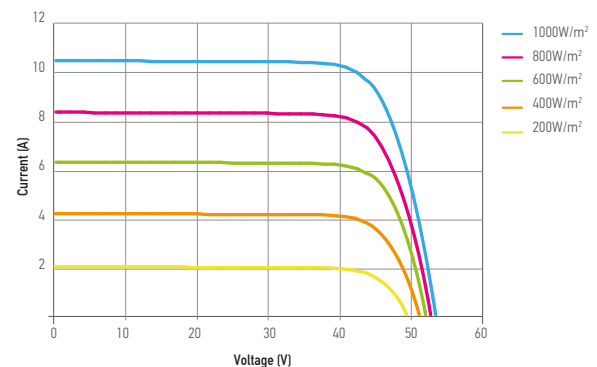


RECOM assumes no liability or responsibility for any typographical error, layout error, misinformation, any other error, omission, contained herein.

recom-solar.com

I-V Curve

The module relative power loss at low light irradiance of 200W/m² is less than 3%.



Temperature Characteristics

P _{max} Temperature Coefficient	-0.295% / °C
V _{oc} Temperature Coefficient	-0.290% / °C
I _{sc} Temperature Coefficient	+0.050% / °C
Operating Temperature	-40~+85 °C
(NMOT) Nominal Module Operating Temperature	41 ± 3 °C

Packing Configuration

Container	40'HC
Pieces per Pallet	27+27+4
Pallets per Container	10
Pieces per Container	580

The specification and key features described in this datasheet may deviate slightly and are not guaranteed. Due to on-going innovation, research and product enhancement, RECOM Solar reserves the right to make any adjustment to the information described herein at any time without notice. Please always obtain the most recent version of the datasheet which shall be duly incorporated into the binding contract made by the parties governing all transactions related to the purchase and sale of the products described herein. Please read the safety and installation instructions before using the modules.

© Copyright 2020. RECOM

**Release RCM-xxx-6MJ(XXX=425-445)-5-G1-40-SW-008-2020-07-ver4.0