

# SSB25000/28000/30000

## SSB Series

SSB Series provide string inverters with the best invention patented topology globally, also we can customize to provide more optional choices for PV power systems.

SSB series has been proved to be outstanding for its features like leading edge efficiency, high cost-effective, modern appearance, friendly interface, and ultra-long quality warranty, etc.



### Features:

- Transformerless with the best patented Topology
- Dual MPPT inputs accommodating wide voltage range
- Compact structure design
- Max efficiency up to 98.3%
- PV input intelligent conjunction (optional)

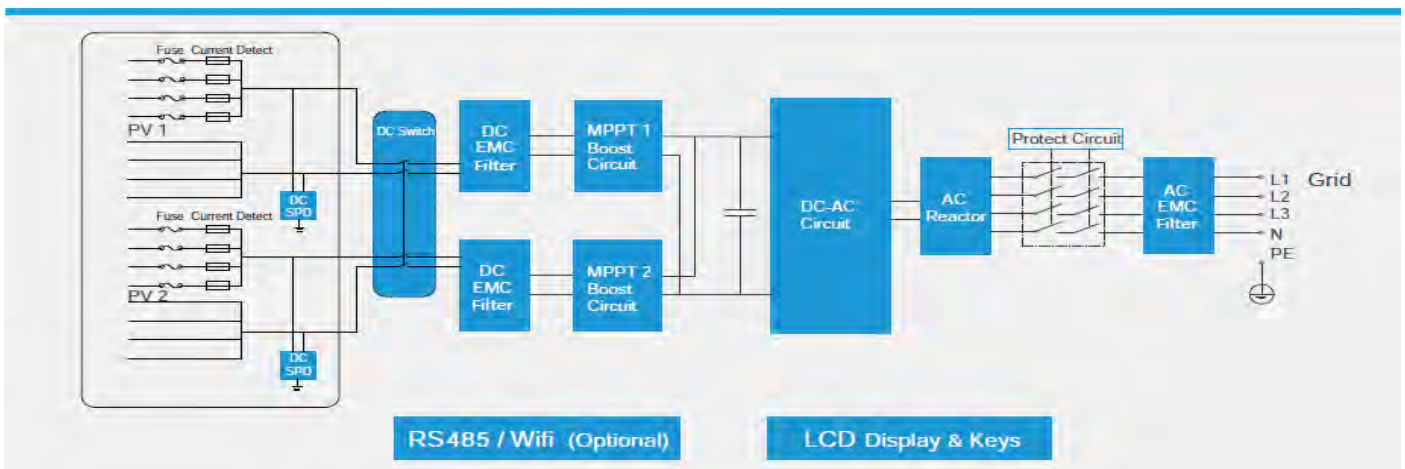
### Flexibility:

- Indoors and outdoors usage (IP65)
- Easy installation and free maintenance
- RS485/WiFi (optional) communication
- Multi-lingual display with large LCD screen

### Reliability:

- Reliable protection for over/under voltage, anti-islanding, short circuit, overload, etc.
- 5-year quality warranty extends to 15-years(optional) exclusively
- Comply with NB/T 32004-2013,CQC etc.

### Diagram :



## Technical data

Inverter Model	SSB25000	SSB28000	SSB30000
<b>Input (DC)</b>			
Max DC power	26500W	30000 W	32000 W
Max DC voltage	1000 V	1000 V	1000V
Full load MPPT Voltage Range / Rated Voltage	450-800V/610V	470-800V/610V	500-800V/610V
Max input current per string	32A/32A	32A/32A	32A/32A
Start Voltage / On-grid Voltage	160/250V	160/250V	160/250V
Number of MPP trackers / Strings per tracker	2/4	2/4	2/4
<b>Output (AC)</b>			
AC nominal power	25000 W	28000 W	30000 W
AC nominal apparent power	27500 VA	30800 VA	33000 VA
Nominal AC voltage	3N/PE:220/380V	3N/PE:220/380V	3N/PE:220/380V
	3N/PE:230/400V	3N/PE:230/400V	3N/PE:230/400V
	3N/PE:240/415V	3N/PE:240/415V	3N/PE:240/415V
AC voltage range	176V-276V	176V-276V	176V-276V
AC grid frequency	50Hz/60Hz	50Hz/60Hz	50Hz/60Hz
Max output current	42A	47A	50A
Power factor (adjustable)	0.8leading-0.8lagging	0.8leading-0.8lagging	0.8leading-0.8lagging
Harmonics (THD)	<3%	<3%	<3%
<b>Efficiency</b>			
Max efficiency	98.3%	98.3%	98.3%
Euro efficiency	98.0%	98.0%	98.0%
MPPT efficiency	99.9%	99.9%	99.9%
<b>General data</b>			
Dimensions (W / H / D)	580/800/200 mm	580/800/200 mm	580/800/200 mm
Weight	60 kg	60 kg	60 kg
Operating temperature range	-25 °C ~ +60 °C	-25 °C ~ +60 °C	-25 °C ~ +60 °C
Degree of protection	IP65	IP65	IP65
(according to IEC 60529)	4K4H	4K4H	4K4H
Climatic category (according to IEC 60721-3-4)	<1 W	<1 W	<1 W
Cooling concept	Fan	Fan	Fan
PV connection	Common connector/Intelligent Conjunction (Optional)	Common connector/Intelligent Conjunction (Optional)	Common connector/Intelligent Conjunction (Optional)
Noise (typical)	<50 dB	<50 dB	<50 dB
Communication:(RS485/WiFi)	Yes/Opt.	Yes/Opt.	Yes/Opt.
Warranty: (5/ 10 / 15 years)	Yes/Opt./Opt.	Yes/Opt./Opt.	Yes/Opt./Opt.