

Mono Perc

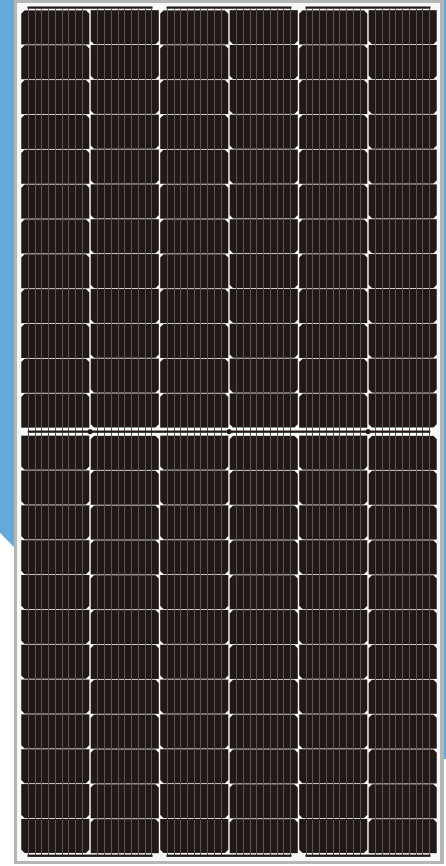
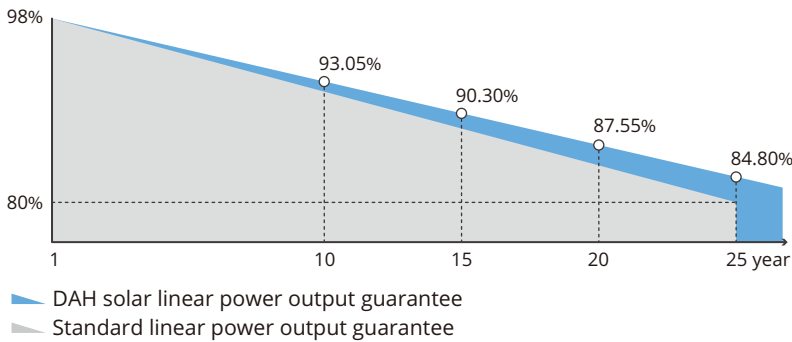
# DHM-72L9

Half-Cell High Efficiency PV Module

## Quality Guarantee

**12-year** Material & technology warranty

**25-year** Linear power output warranty



# 430~460W<sup>0 ~ +5W</sup>

Max  
Module  
Efficiency

**21.16%**

**Optimal Process Design**  
166mm+9BB+Half-cut, higher power output

**Select Grade A Crystalline Silicon Solar Cells**  
Grade A crystalline silicon solar cells make high-power output with cost-effective

**Stable Generation Performance**  
Guaranteed 0~+5W positive tolerance and slower power attenuation: first year ≤2%, 0.55% per year from 2-25

**Process Upgraded**  
Lower risk of hot spot and stronger anti-PID ability

**Higher Power Gains and Lower Losses**  
Excellent low irradiance performance and low shadow loss

**Strong Environmental Adaptability and Great Durability**  
Certified by Dust-Sand, Salt-Mist, Ammonia etc. weather resistance tests and enhanced mechanical load: wind load (2400 Pascal) and snow load (5400 Pascal)

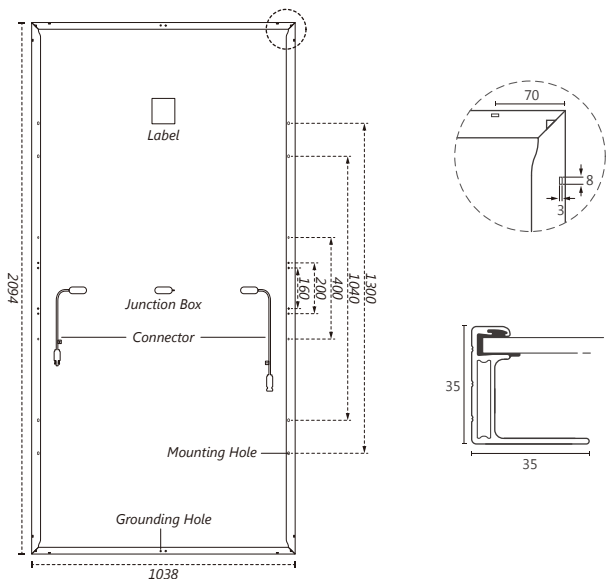
## Comprehensive Products and System Certificates



IEC 61215 / IEC 61730 / CE / INMETRO  
ISO 9001-  
2015/Quality management system  
ISO 14001-  
2015/Standards for environmental management system  
OHSAS 18001-  
2007/International standards for occupational health & safety

# DHM-72L9 430~460W

## Design



## Mechanical Specification

Cells Type  
**Mono 166×83mm**

Weight  
**23.5kg**

Cable  
(Including connector)  
No. of Cells  
Glass  
Junction box  
Connector

Dimension (L×W×T)  
**2094×1038×35mm**

Packing  
**31pcs/pallet, 682pcs/40HQ**

4.0mm<sup>2</sup>, Portrait: 300mm(+)/400mm(-)  
Landscape: 1400mm(+)/1400mm(-)  
144 (6×24)  
3.2mm High Transmission, Antireflection Coating  
IP68, 3 Bypass Diodes  
MC4 Compatible

## Operating Parameters

Maximum system voltage	1000V/1500V DC
Operating Temperature	-40 ~ +85°C
Maximum series fuse rating	20A
Snow load, frontside	5400Pa
Wind load, backside	2400Pa
Nominal operating cell temperature	45°C±2°C
Application level	Class A

## STC-Electrical Characteristics

Module Type	DHM-72L9						
Maximum Power (Pmax)	430W	435W	440W	445W	450W	455W	460W
Open-circuit Voltage (Voc)	48.70V	48.85V	49.00V	49.15V	49.30V	49.45V	49.60V
Maximum Power Voltage (Vmp)	41.51V	41.66V	41.81V	41.96V	42.11V	42.26V	42.41V
Short-circuit Current (Isc)	11.23A	11.26A	11.29A	11.32A	11.35A	11.38A	11.41A
Maximum Power Current (Imp)	10.36A	10.44A	10.52A	10.61A	10.69A	10.77A	10.85A
Module Efficiency (%)	19.78%	20.01%	20.24%	20.47%	20.70%	20.93%	21.16%
Temperature Coefficient of Isc	0.05%/°C						
Temperature Coefficient of Voc	-0.31%/°C						
Temperature Coefficient of Pmax	-0.35%/°C						

Standard Test Environment : Irradiance 1000W/m<sup>2</sup>, Cell temperature 25°C, Spectrum AM1.5

## NOCT-Electrical Characteristics

Maximum Power (Pmax)	323W	327W	331W	334W	338W	342W	346W
Open-circuit Voltage (Voc)	46.09V	46.23V	46.37V	46.51V	46.66V	46.80V	46.94V
Maximum Power Voltage (Vmp)	39.28V	39.43V	39.57V	39.71V	39.85V	39.99V	40.14V
Short-circuit Current (Isc)	9.06A	9.09A	9.11A	9.13A	9.16A	9.18A	9.21A
Maximum Power Current (Imp)	8.23A	8.29A	8.36A	8.42A	8.49A	8.55A	8.61A

Standard Test Environment : Irradiance 800W/m<sup>2</sup>, Ambient temperature 20°C, Spectrum AM1.5, Wind speed 1m/s

## I-V Curve (DHM-72L9-440W)

