

### South African Modules

- Local Content Compliant
- Supports Local Job Creation
- South African Owned
- Locally Guaranteed

## OUR APPROACH

ARTsolar believes high quality solar power should be produced locally at globally competitive pricing. Meticulous manufacturing, testing and quality assurance standards, TÜV certified raw materials and an in-house developed MES system ensures consistent traceable quality.

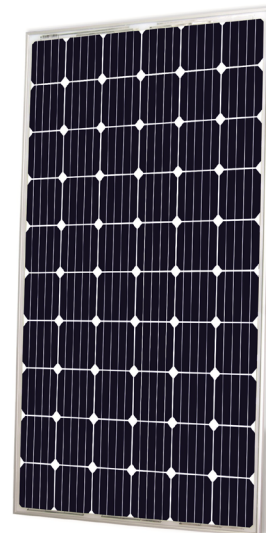
### Local Support

Designed for the African climate:

- 3800pa wind & 5400pa mechanical loads
- High temperature operation
- Certified salt and ammonia resistance
- PID resistance certified by SGS
- Super high efficiency: up to 20%
- Quality control and traceability by PVflow

### Certifications

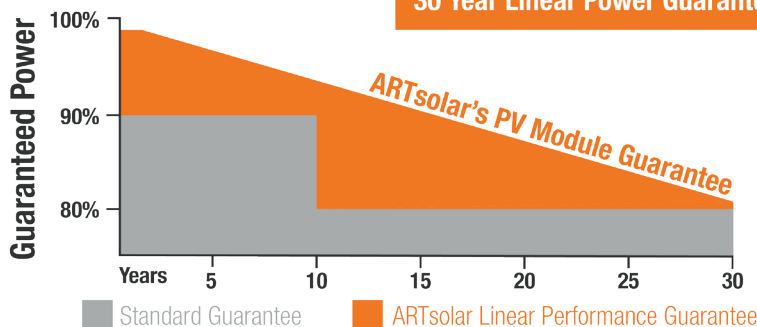
- TÜV & SABS
- CSA, IEC61701, IEC 61215, IEC 62804,
- IEC 62716, IEC 61701, IEC 60068
- State of the ART Swiss production facility
- Earth leakage tested to 3600V DC
- Triple Electroluminescence (EL) tested
- Built for export to Europe



**320Wp Si-Mono PERC  
Half-Cut Cell**

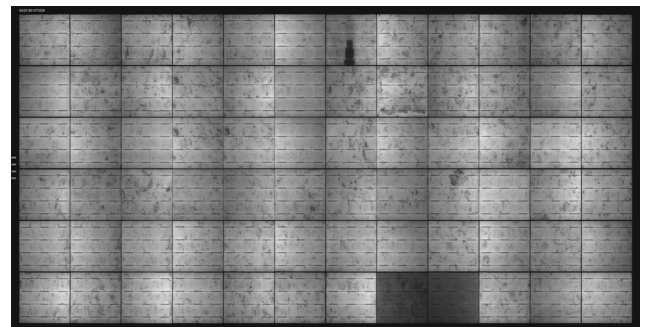
## Locally Guaranteed

**12 Year Product Guarantee  
30 Year Linear Power Guarantee**



## Multiple Electro-Luminescence (EL) Tested

- Multiple EL tests throughout the production line
- EL Images can be requested with each purchase



Make sure your PV module doesn't look like this. An EL looks like an X-ray which spots cracks and power loss areas invisible to the naked eye.



**South African Modules**  
 Local Content Compliant  
 Supports Local Job Creation  
 South African Owned  
 Locally Guaranteed

## MODULE DESIGN

### Module Dimensions and Weights

60 Cell - 1657 x 996 x 35mm (18.4kg)

### SPECIFICATIONS

**Solar Cells:** 5 bus-bar, Mono PERC

**Solar Glass:** 3.2mm, tempered, low iron, high transparency solar safety glass with anti-reflective coating.

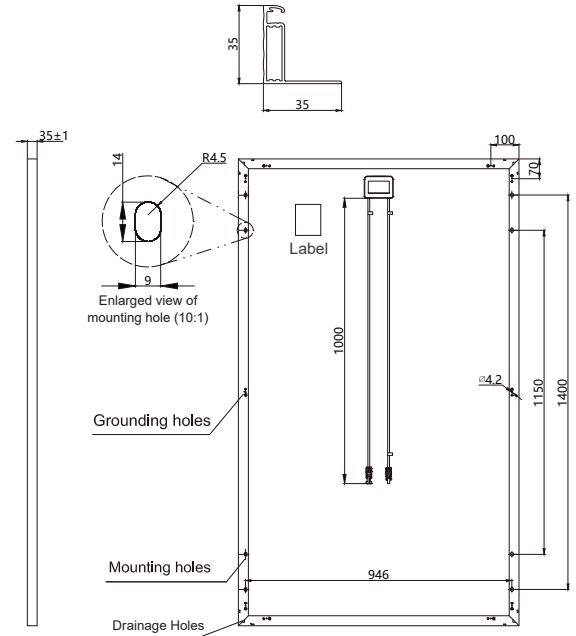
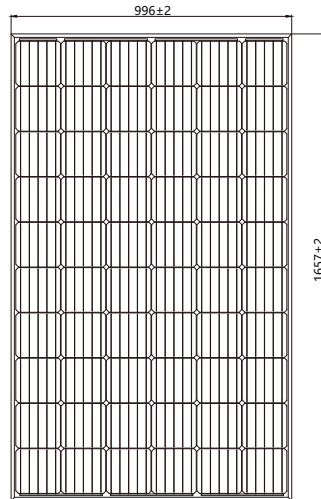
**Encapsulation:** EVA

**Backsheet:** White

**Frame:** Extruded, anodized aluminium

**Junction Box:** IP68 rated, 3 diodes, 1000mm cable, MC4 standard connectors

Units: mm



#### Electrical Data @ STC

Design	Pmax(Wp)	Vmp	Imp	Voc	Isc	Eff
60 Cell	320 Wp	33.2V	9.65A	40.8V	10.18A	19.40%

#### Electrical Data @ NOCT

Design	Pmax(wp)	Vmp	Imp	Voc	Isc
60 Cell	237 Wp	31.3V	7.56A	38.6V	8.01A

STC - Irradiance 1000 W/m<sup>2</sup>, cell temp @ 25°C

NOCT - Irradiance 800 W/m<sup>2</sup>, cell temp @ 20°C

#### KEY

**Pmax(Wp)** - maximum power, **Vmp** - voltage at max power, **Voc** - open circuit voltage, **Isc** - short circuit current

**Imp** - max power current, **Eff** - module efficiency (%)

STC - Standard Test Conditions

NOCT - Nominal Operating Cell Temperature

\* Figures are typical values of performance. Slight variances do occur, exact specifications available with each module,

#### Temperature Ratings

Nominal Operating Cell Temp	45°C (±2°C)
Temp coefficient of Pmax	-0.370%/°C
Temp coefficient of Voc	-0.300%/°C
Temp coefficient of Isc	0.060%/°C

#### Maximum Ratings

Operational Temp	-40 to +85°C
Max system Voltage	1500V DC (IEC)
Max Series Fuse Rating	20A
Mechanical Load	5400pa