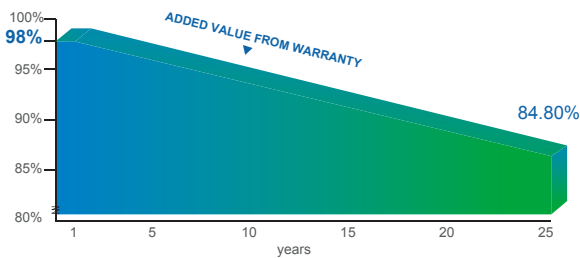


UZON 405~415W

Mono Half Cell Module 158.75 Series

Classic UZ158MHC405-72
UZ158MHC410-72
UZ158MHC415-72



- 25** 25-year Warranty for Extra Linear Power Output
- 12** 12-year Warranty for Materials and Processing
(1st year ≤ 2.0%, 2nd~25th years ≤ 0.55% / year)

COMPREHENSIVE CERTIFICATES

IEC61215/IEC61730/IEC61701/IEC62716
ISO9001:Quality Management System
ISO14001:Environmental Management System
ISO45001:Occupational Health and Safety Management System



FEATURES

- +5W** **OUTPUT POSITIVE TOLERANCE**
Guaranteed 0~+5W positive tolerance ensures power output reliability.
- INNOVATIONAL HALF-CELL TECHNOLOGY**
Improves the module output, decreases the risk of micro-crack, enhances the module reliability.
- INNOVATIVE PERC CELL TECHNOLOGY**
Excellent cell efficiency and output.
- REDUCE SHADOW LOSS**
Effectively reduces the effect of shadow on the module surface.
- REDUCE INTERNAL MISMATCH LOSS**
Reduces mismatch loss and improves output.
- PASSED HAIL TEST**
Certified to hail resistance: ice ball size (d=25mm) and ice ball velocity
- PID RESISTANCE**
Excellent PID resistance at 96 hours (@85 C /85%) test, and also can be improved to meet higher standards for the particularly harsh environment.



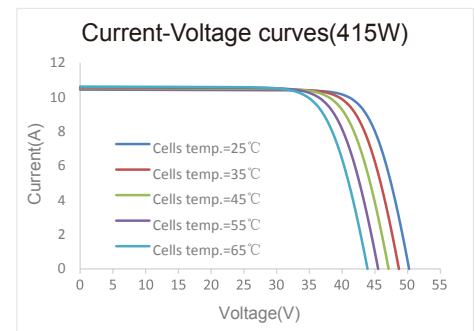
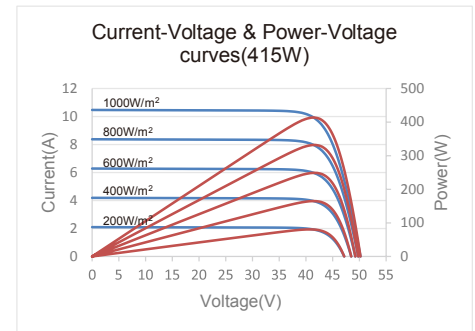
ELECTRICAL SPECIFICATIONS

STC rated output (P_{mpp})*	405 Wp	410 Wp	415 Wp
Rated voltage (V_{mpp}) at STC	41.59 V	41.85 V	42.11 V
Rated current (I_{mpp}) at STC	9.74 A	9.80 A	9.86 A
Open circuit voltage (V_{oc}) at STC	49.53 V	49.80 V	50.06 V
Short circuit current (I_{sc}) at STC	10.31 A	10.38 A	10.45 A </td
Module efficiency	20.0%	20.3%	20.5%
Rated output (P_{mpp}) at NMOT	301.1 Wp	304.8 Wp	308.5 Wp
Rated voltage (V_{mpp}) at NMOT	38.61 V	38.84 V	39.08 V
Rated current (I_{mpp}) at NMOT	7.80 A	7.85 A	7.89 A
Open circuit voltage (V_{oc}) at NMOT	46.38 V	46.64 V	46.88 V
Short circuit current (I_{sc}) at NMOT	8.31 A	8.36 A	8.42 A
Temperature coefficient (P_{mpp})	- 0.35%/°C		
Temperature coefficient (I_{sc})	+0.04%/°C		
Temperature coefficient (V_{oc})	- 0.28%/°C		
Nominal module operating temperature (NMOT)	44±2°C		
Maximum system voltage (IEC/UL)	1500V _{DC}		
Number of diodes	3		
Junction box IP rating	IP 68		
Maximum series fuse rating	20 A		

STC: Irradiance 1000W/m², Cell Temperature 25°C, AM=1.5

NMOT: Irradiance 800W/m², Ambient Temperature 20°C, AM=1.5, Wind Speed 1m/s

CURVE



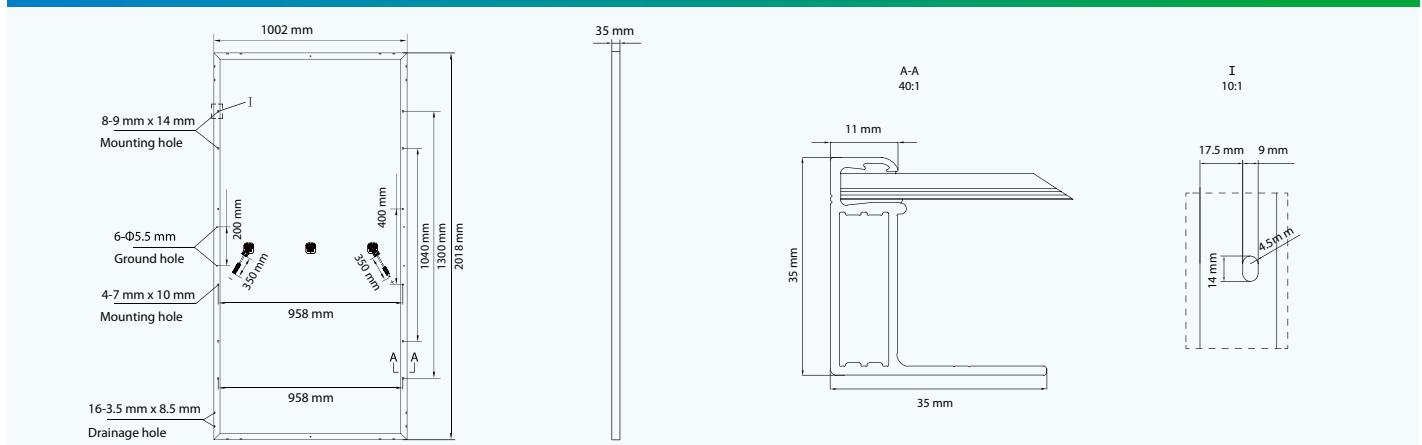
MECHANICAL SPECIFICATIONS

Outer dimensions (L x W x H)	2018 x 1002 x 40 mm
Frame technology	Aluminum, silver anodized
Module composition	Glass / EVA / Backsheet
Front glass thickness	3.2 mm
Cable length (IEC/UL)	Portrait: 350 mm Landscape: 1200 mm
Cable diameter (IEC/UL)	4 mm ² / 12 AWG
Maximum mechanical test load	5400 Pa (front) / 2400 Pa (back)
Fire performance (IEC/UL)	Class C (IEC) or Type 1 (UL)
Connector type (IEC/UL)	MC4 compatible

PACKING SPECIFICATIONS

Module Weight	22.5 kg
Packing unit	27 pcs / pallet
Weight of packing unit	656 kg
Container Loading	616 pcs/ 40HQ

MODULE DIMENSION DETAILS



Note: These parameters for reference only and it is not a part of the contracts. The specifications are subject to change without prior notice.