

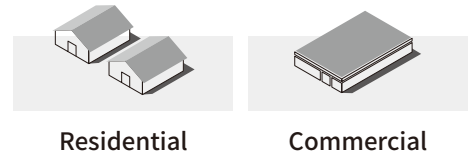


YTM395-415P-54/B

Adopting PERC technology on M10 wafer, perfectly matches the mainstream system design and mature logistics scheme.

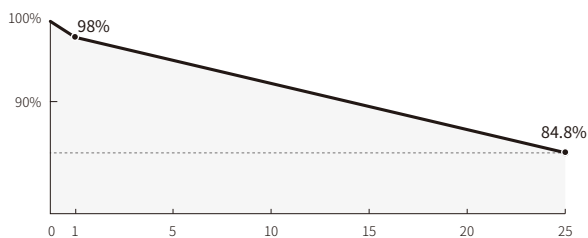
Advanced module technologies are adopted like multi-busbar, half cell, non-destructive cutting, and intelligent soldering.

All-black module perfectly combines with the building.



Warranty

Product warranty 12 Years 1st year degradation $\leq 2\%$
Linear power warranty 25 Years Annual degradation $\leq 0.55\%$

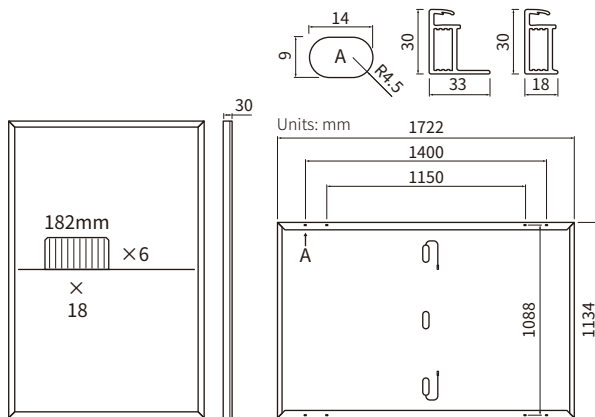


Certificates

IEC 61215, IEC 61730
ISO 9001:2015 Quality management systems
ISO 14001:2015 Environmental management systems
ISO 45001:2018 Occupational health and safety management systems



YTM395-415P-54/B



Mechanical Parameters

Cell type	Mono PERC
No. of cells	108 (6*18)
Junction box	IP68, 3 diodes
Cable	4mm ² ; 300mm(+)/400mm(-) or customized
Glass	Single glass, 3.2mm
Frame	Anodized aluminum alloy frame
Weight	21.4kg±3%
Dimensions	1722mm x 1134mm x 30mm
Packaging	36 pcs/pallet, 936 pcs/40HQ container

Electrical Parameters

STC: AM1.5 1000W/m² 25°C NMOT: AM1.5 800W/m² 20°C 1m/s

Module type	YTM395P-54/B		YTM400P-54/B		YTM405P-54/B		YTM410P-54/B		YTM415P-54/B	
	STC	NMOT	STC	NMOT	STC	NMOT	STC	NMOT	STC	NMOT
Rated maximum power P _{max} (W)	395	294	400	298	405	302	410	306	415	310
Open circuit voltage V _{oc} (V)	36.90	34.82	37.06	34.91	37.24	34.99	37.40	35.08	37.57	35.19
Short circuit current I _{sc} (A)	13.72	11.03	13.78	11.13	13.86	11.22	13.94	11.32	14.03	11.42
Maximum power voltage V _{mp} (V)	30.84	28.33	31.06	28.49	31.25	28.66	31.43	28.79	31.64	28.97
Maximum power current I _{mp} (A)	12.81	10.38	12.88	10.46	12.96	10.54	13.05	10.63	13.12	10.70
Module efficiency (%)	20.2		20.5		20.7		21.0		21.3	

Temperature Coefficients

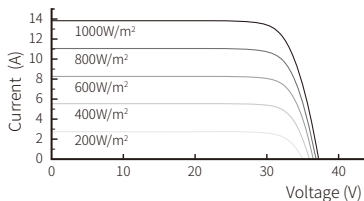
Temperature coefficient α_{Isc}	+0.045%/°C
Temperature coefficient β_{Voc}	-0.275%/°C
Temperature coefficient γ_{Pmax}	-0.350%/°C

Operating Conditions

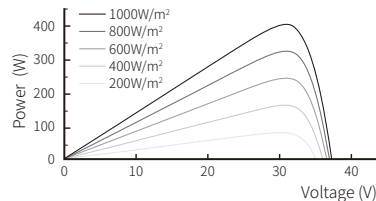
Operating temperature	-40°C~+70°C	Nominal operating cell temperature	45±2°C
P _{max} , V _{oc} , I _{sc} tolerance	±3%	Front side Max. static test loading	5400 Pa
Power selection	0~+5W	Rear side Max. static test loading	2400 Pa
Maximum system voltage	1500V DC		
Maximum series fuse rating	25A		

Graphs (YTM405P-54/B)

Current - Voltage Curve



Power - Voltage Curve



Current - Voltage Curve

