

CST350~380M8-60H

120-CELL HALF CUT Monocrystalline Solar Module

Large Size 166mm Mono PERC Solar Cell(9BB-Half)



IEC61215 : 2016

IEC61730 : 2016

380W
Maximum Power Output

20.5%
Maximum Efficiency

0~+5W
Positive Power Tolerance



Low hotspot risk

Special cutting and soldering technology leads to low hotspot risk.



Excellent weak light performance

More power output in weak light condition such as haze cloudy and morning.



Certified to withstand

Wind load (2400 Pascal) and snow load (5400 Pascal).



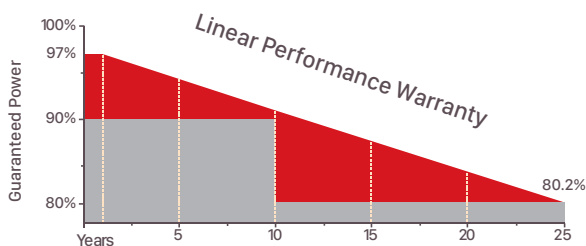
Withstanding harsh environment

Reliable quality leads to a better sustainability even in harsh environment like desert, farm and coastline.



High PID resistant

Advanced cell technology and qualified materials lead to high resistance to PID.



97.0% in the first year, thereafter, for years two (2) through twenty-five (25), 0.7% maximum decrease from MODULE's nominal power output per year, ending with the 80.2% in the 25th year after the defined WARRANTY STARTING DATE.

- 12-year product warranty
- 25-year linear performance warranty

CST350~380M8-60H

Monocrystalline

Electrical Characteristics(STC)

PV module model	CST350M8-60H	CST355M8-60H	CST360M8-60H	CST365M8-60H	CST370M8-60H	CST375M8-60H	CST380M8-60H
Maximum Power - Pmax(W)	350	355	360	365	370	375	380
Open Circuit Voltage - Voc(V)	40.50	40.70	40.90	41.10	41.30	41.50	41.70
Short Circuit Current - Isc(A)	11.02	11.10	11.20	11.28	11.37	11.46	11.55
Voltage at Pmax-Vmp(V)	33.30	33.50	33.70	33.90	34.10	34.30	34.50
Current at Pmax-Imp(A)	10.52	10.60	10.69	10.77	10.86	10.95	11.04
Module Efficiency-ηm(%)	18.9	19.2	19.5	19.7	20.0	20.3	20.5
Power Output Tolerance(W)	0~+5						

STC: Irradiance 1000 W/m², Module Temperature 25°C, Air Mass AM1.5

Electrical Characteristics(NOCT)

Maximum Power - Pmax(W)	263	266	270	274	277	281	285
Open Circuit Voltage - Voc(V)	38.00	38.20	38.40	38.50	38.70	38.90	39.10
Short Circuit Current - Isc(A)	8.95	9.03	9.09	9.17	9.19	9.21	9.23
Voltage at Pmax-Vmp(V)	30.90	31.10	31.30	31.50	31.60	31.80	32.00
Current at Pmax-Imp(A)	8.50	8.57	8.64	8.71	8.77	8.84	8.91

NOCT: Irradiance 800 W/m², Ambient Temperature 20°C, Wind Speed 1m/s

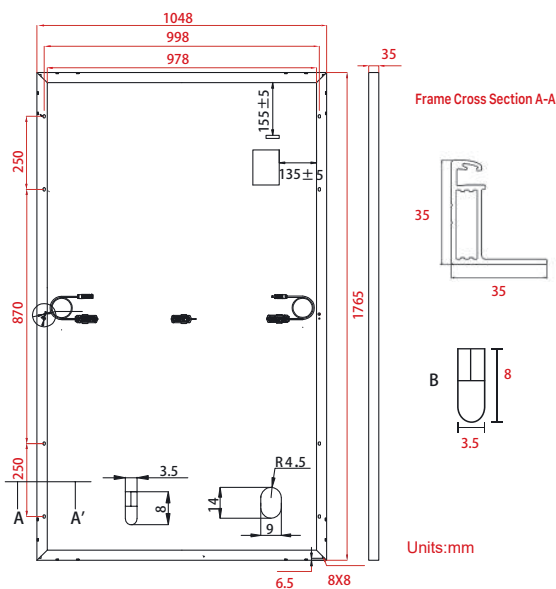
Temperature Characteristics

Pmax Temperature Coefficient	-0.36%/°C
Voc Temperature Coefficient	-0.28%/°C
Isc Temperature Coefficient	+0.05%/°C
Operating Temperature	-40~+85°C
Nominal Operating Cell Temperature (NOCT)	41±3°C

Mechanical Specifications

External Dimensions	1765*1048*35mm
Weight	20.0kg
Solar Cells	monocrystalline 120(60*2)pcs
Front Glass	High transparency solar glass 3.2mm
Frame	Aluminum alloy
Junction Box	IP68 rated
Output Cables	4.0mm ² , Landscape: N 1100mm/P 1100mm Portrait: N 150mm/P 300mm
Connector	MC4 Compatible
Wind/Snow Load	2400Pa/5400Pa
Maximum System Voltage	1000/1500V DC
Max Series Fuse Rating	20A

Engineering Drawings

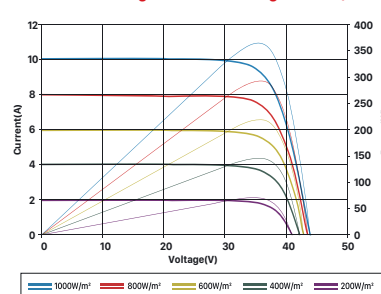


Packing Configuration

Modules per pallet	30 pieces
Modules per 40' container	832 pieces

Packing Description: 26 Pallets, Total = (30+30+4) x 13 = 832 pieces

Current-Voltage&Power-Voltage Curve(360W)



Temperature Dependence of Isc, Voc, Pmax

