



**MILLENNIUM ELECTRIC**



### **Characteristics of the Photovoltaic (PV) Modules**

Millennium's photovoltaic modules offer industry-leading performance, durability, and reliability for a variety of electrical power requirements. Using breakthrough technology, these modules use a textured cell surface to reduce reflection of sunlight, and structure to improve conversion efficiency. An anti-reflective coating provides uniform blue color and increases the absorption of light in all weather conditions.

Common applications include:

- Grid connected houses
- Solar houses
- Solar power stations

Designed to withstand rigorous weather conditions, a junction box is also provided for easy electrical connections in the field, making Millennium's modules the perfect combination of advanced technology and reliability.



**Millennium Electric Panels in a PV Power stations in Italy and Germany**

**< MILLENNIUM ELECTRIC T.O.U. Ltd >**

**11 Hasadna St., P.O. Box 2646, Ra'anana North Industrial Zone 43650, ISRAEL  
Contact: Ms. Amit Elazari Tel: (+972) 9-7439490, Fax: (+972) 9-7453654  
Email: [info@millenniumsolar.com](mailto:info@millenniumsolar.com) Website: [www.millenniumsolar.com](http://www.millenniumsolar.com)**



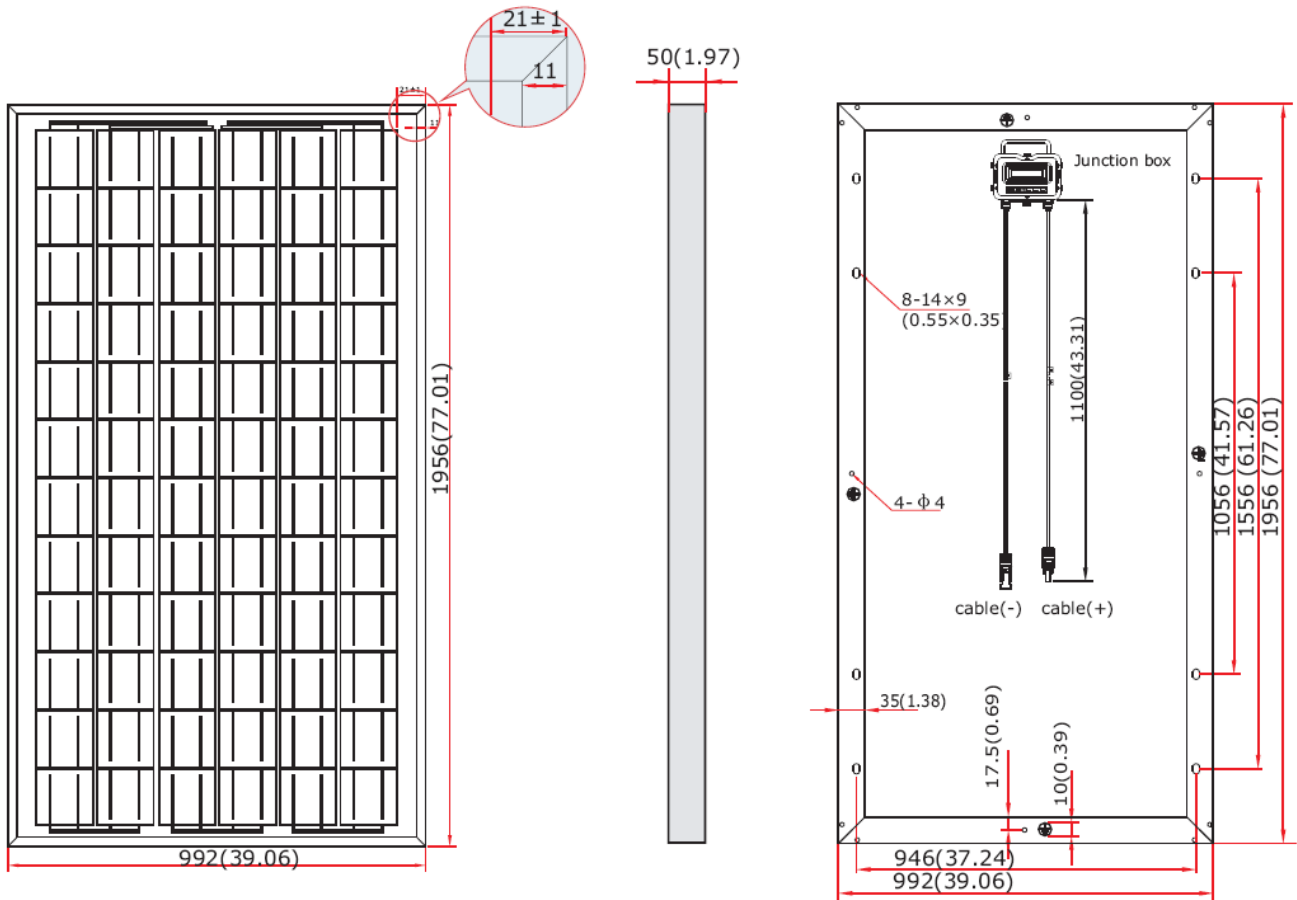
6" (156 x 156 mm) Poly-crystalline silicon Standard PV Module

Pmax +-5%	240W	250W	260W	270W
Voc (V)	24.8	43	43	43.2
Isc (A)	7.86	8.11	8.36	8.59
Vmp (V)	34.1	34.5	34.9	35.5
Imp (A)	7.02	7.24	7.46	7.67
Module Eff. (%)	12.37	12.89	13.4	13.92
Max Series Fuse	15A			
Weight	23 kgs			
L x W x H ( mm )	1956 x 992 x 50 mm			
Number of Cells	76 in a 6 x 12			

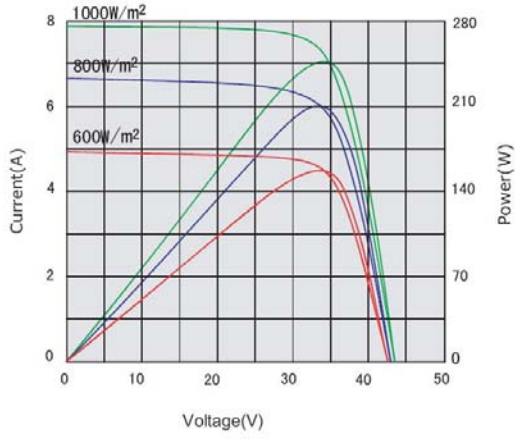
>> Temperature Co eff. of Voc: -0.34 % / ° C >>Temperature Co eff. of Isc: +0.09 % / ° C  
 >>Temperature Co eff. of Pmax: -0.37 % / ° C; Number Of Diodes-3; Cable 900mm

Current, Power Vs. Voltage Characteristics

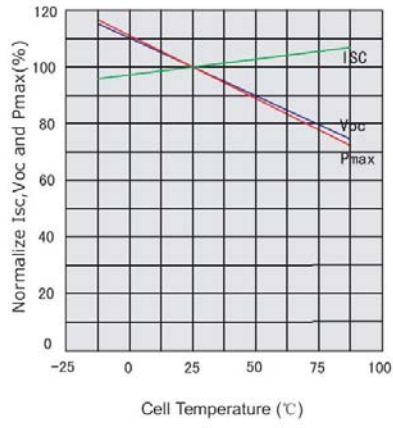
Outline Dimensions



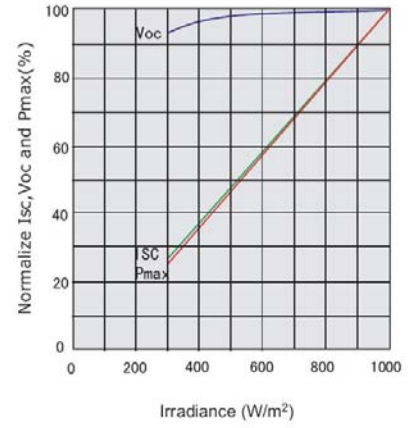
Electrical performance  
(cell temperature: 25°C)



Temperature dependence of Isc, Voc and Pmax



Irradiance dependence of Isc, Voc and Pmax (cell temperature: 25°C)



STC: irradiance level 1000W/m2, spectrum AM 1.5 and cell temperature 25oC  
Specifications and design are subject to change without further notice.