

THMS500-PPI

500WATT / 1000WATT PEAK

POWERS UP TO 4.5AMPS



THMS500-PPI



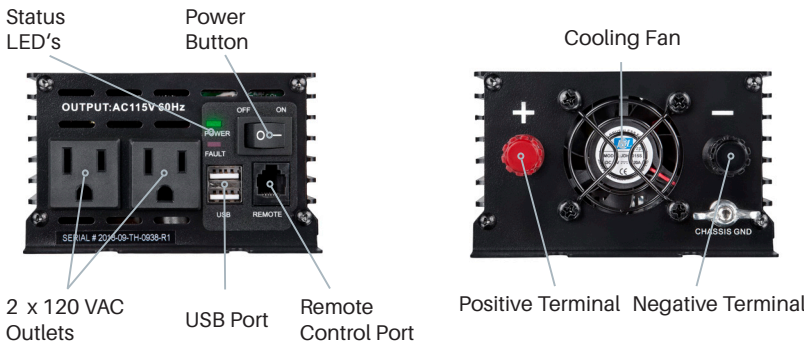
MODIFIED SINE WAVE INVERTER

THOR inverters have set the standard with the way you deal with your mobile power needs, providing AC electricity. A power inverter converts the DC electricity from batteries into everyday AC power.

With a THOR inverter you won't need to rely on a generator to have power for tools, electronics or any AC power needs. THOR inverters are efficient and dependable and come in numerous sizes and power ranges to meet your mobile power demands.

Design Features

- 500 Watts Continuous Output
- 1000 Watt High Surge Power
- 2 x 120 Volt AC Outlets
- Compatible with all THOR Remote Controls
- USB Charging Port
- Rugged Aluminum Design
- Compatible with Appliances <= 500 watts
- Digital Display with TH-RC Remote
- Easy Installation



Specifications

DC Input Voltage	12 Vdc
DC Input Voltage range	10.7 - 16.5 +/- .5
Maximum Output Current	4.5 Amps
Continuous Output Power	500 Watts
Max Output for 10 Min - 10% over inverters rated continuous wattage	550 Watts
Surge Output Power	1000 Watts
Peak Efficiency	85-90%
DC Input Connections	Nut and Bolt (M9)
AC Output Connection	2 x 120 Volt AC outlets
Terminal Block for Hardwiring	Yes
Display	Digital Display With Error Codes

Accessories

TH-002



TH-RC



Remote Controls



Cables
(4AWG - 10 Feet)
THCBL10F4AWG



Fuses
THANLFB50
50 Amp Fuse



Low Voltage Disconnect
TH-LVD



Isolators
THI-80
80 Amp Isolator

500 WATT MODIFIED SINE WAVE INVERTER WITH USB



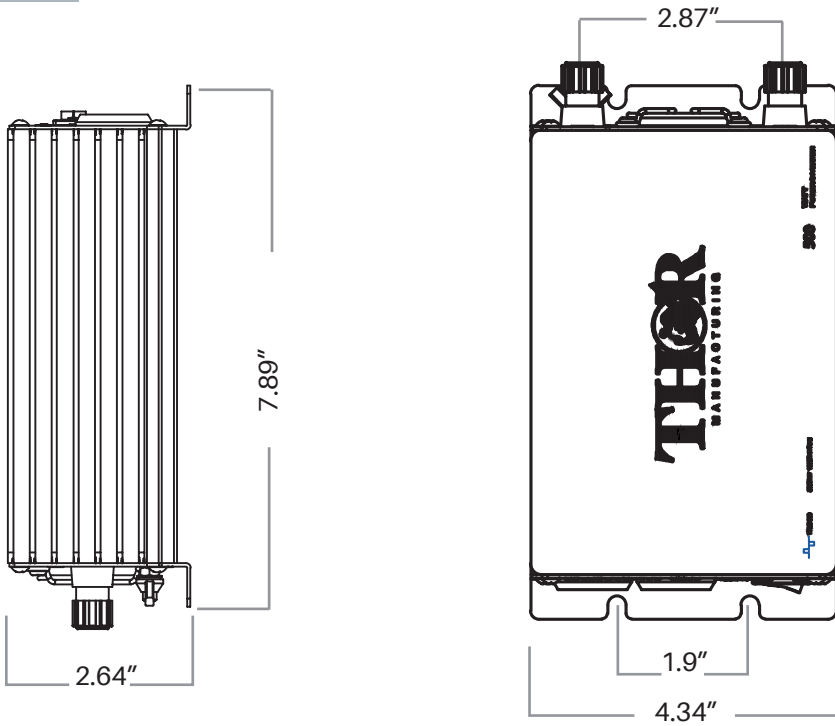
THOR MANUFACTURING

7050 W. Palmetto Park Rd. Suite 15
Boca Raton, FL

Phone: (866) 955-THOR
(866) 955-8467

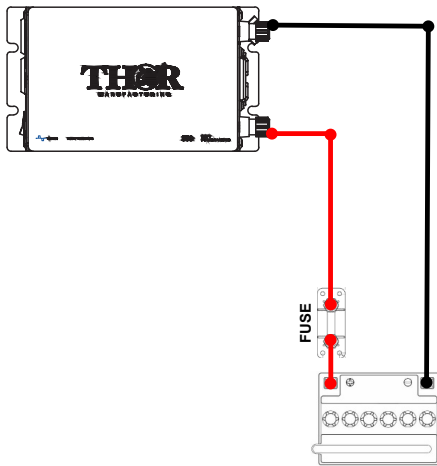
Mail: sales@thorpowerproducts.com
Web: www.thorinverters.com

Dimensions

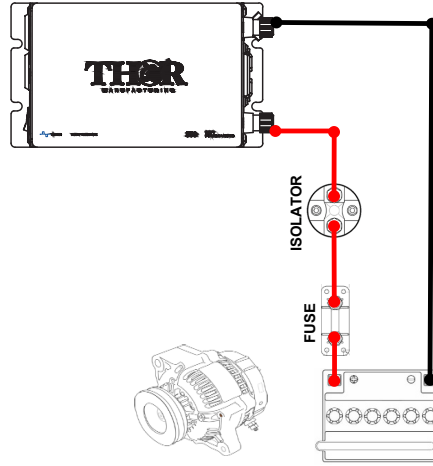


Dimensions: 7.8L x W 4.87W x 2.63"H
 Weight: 2.5 Lbs
 UPC Code: 852090008325
 Warranty: 1 Year

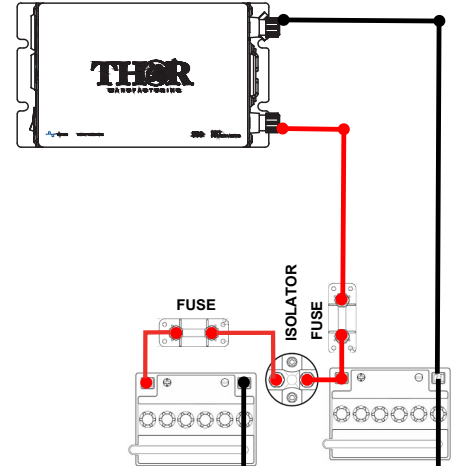
Installation Diagrams



STAND ALONE OR IN VEHICLE



VEHICLE IGNITION CONTROLLED



DUAL BATTERY INSTALLATION
ISOLATING VEHICLE BATTERY

Inverters are also available as Installation Kits (including the inverter)

THMS500-PPI-KIT 2



THMS500-PPI-KIT 3



THOR MANUFACTURING

7050 W. Palmetto Park Rd. Suite 15
 Boca Raton, FL

Phone: (866) 955-THOR
 (866) 955-8467

Mail: sales@thorpowerproducts.com
 Web: www.thorinverters.com