

INE-60P SERIES 6 INCH 60 CELLS

270-290_w

PRODUCT CERTIFICATES



KEY FEATURES

0~3%

Output positive tolerance/Guaranteed 0~3% positive tolerance ensures the power output reliability

PERC

Innovative Perc Cell Technology/Outstanding power output performance by perc cell



Anti PID technology/Excellent Anti-PID performance

NEW
-IEC-

Tested and certified according IEC standard /IEC61215/IEC61730 standard quality



Highly reliable due to stringent quality control/Three times strict EL testing beyond certification requirements

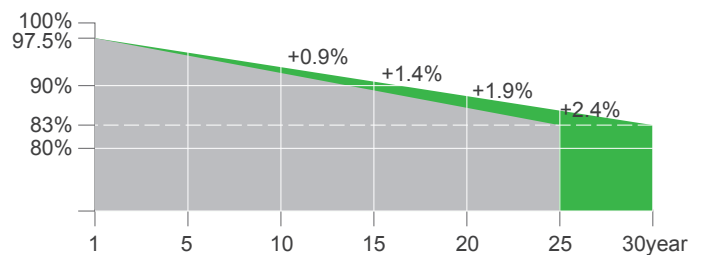


Lower temperature coefficients/Outstanding power output capability at low irradiance

SYSTEM CERTIFICATES

IEC 61215 / IEC 61730
ISO 9001 : Quality Management System
ISO 14001 : Environment Mangement System
OHSAS 18001 : Occupational Health and Safety Management System

WARRANTY



12
years

12-year Warranty for Materials and Processing

30
years

30-year Warranty for Extra Linear Power Output

ELECTRICAL PARAMETERS AT STC

Module Type	INE-270-60P	INE-275-60P	INE-280-60P	INE-285-60P	INE-290-60P
Rated Maximum Power(Pmax) [W]	270	275	280	285	290
Open Circuit Voltage(Voc) [V]	37.94	38.19	38.45	38.72	38.98
Maximum Power Voltage(Vmp) [V]	31.30	31.51	31.72	31.94	32.16
Short Circuit Current(Isc) [A]	8.99	9.09	9.20	9.29	9.39
Maximum Power Current(Imp) [A]	8.63	8.73	8.83	8.92	9.02
Module Efficiency [%]	16.59	16.90	17.21	17.51	17.82

STC: Irradiance 1000 W/m2 module temperature 25°C AM=1.5

ELECTRICAL PARAMETERS AT NOCT

Module Type	INE-270-60P	INE-275-60P	INE-280-60P	INE-285-60P	INE-290-60P
Rated Maximum Power(Pmax) [W]	200	204	208	212	216
Open Circuit Voltage(Voc) [V]	35.10	35.34	35.59	35.85	36.12
Maximum Power Voltage(Vmp) [V]	29.20	29.40	29.61	29.83	30.05
Short Circuit Current(Isc) [A]	7.25	7.34	7.43	7.52	7.61
Maximum Power Current(Imp) [A]	6.85	6.94	7.02	7.11	7.19

NOCT: Irradiance 800 W/m2 ambient temperature 20°C wind speed: 1m/s

MECHANICAL SPECIFICATION

Cell Type	Polycrystalline
Cell Dimensions	156.75*156.75mm(6inch)
Cell Arrangement	60(6*10)
Weight	18.5kg
Module Dimensions	1640*992*35mm
Cable	4.0 mm ² , wire length: 900 mm or Customized Length
Front Glass	3.2 mm AR coating tempered glass, low iron
Frame	Anodized aluminium alloy
Junction Box	IP67/IP68
Connector	MC4 Compatible
Mechanical Load	Front side 5400Pa/ Rear side 2400Pa

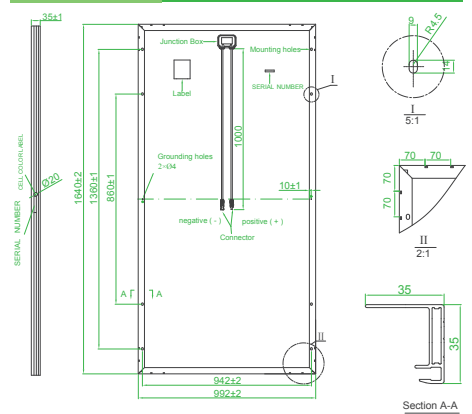
OPERATING CONDITIONS

Power Tolerance (W)	(0,+4.99)
Maximum System Voltage (V)	1000VDC / 1500VDC
Pmax Temperature Coefficient	-0.36 %/°C
Voc Temperature Coefficient	-0.28%/°C
Isc Temperature Coefficient	+0.05 %/°C
Nominal Operating Cell Temperature	45±2 °C
Operating Temperature	-40°C-+85°C
Maximum Series Fuse	20A

PACKING CONFIGURATION

Quantity/Pallet	30pcs/pallet
Pallets/Container	12pallet/20GP; 28pallet/40HQ
Quantity/Container	360pcs/20GP; 952pcs/40HQ

Technical drawing(INE-XXX-60P)



* All Dimensions in mm.
 * The above drawing is a graphical representation of the product.
 For engineering quality drawings please contact IDEAL NEW ENERGY.

I-V Curve

