



# Monocrystalline Solar PV Modules

IEC61215/61730 Quality/ ISO Certified Company

## Model No. FDS100-12M

# 100W



### Temperature Coefficients

Nominal Operating Cell Temperature	NOCT	°C	45 +/-2
Voltage Temperature Coefficient (Voc)	$\alpha$	%/°C	-0.29
Current Temperature Coefficient (Isc)	$\beta$	%/°C	0.05
Power Temperature Coefficient (Pmp)	$\gamma$	%/°C	-0.39

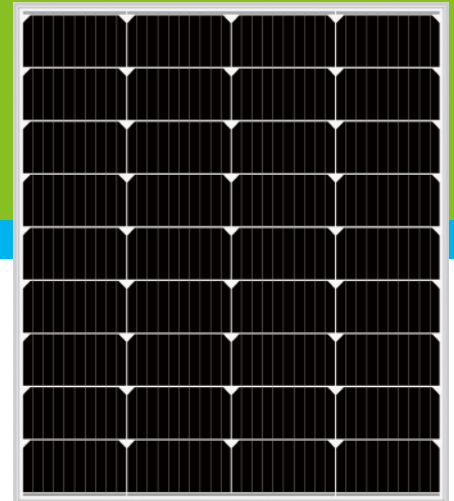
### Mechanical Data

Solar Cell	Monocrystalline, 166*83.0mm
Arrangement	36Cells (4*9)
Front Glass	3.2mm Tempered
Frame	Anodized Aluminium
Max. Static Snow Load, Front	5,400Pa
Max. Static Wind Load, Back	2,400Pa
Junction Box	Potted, 1,000VDC, IP67, 2 Schoktty Bypass Diodes
Cables & Connectors	/

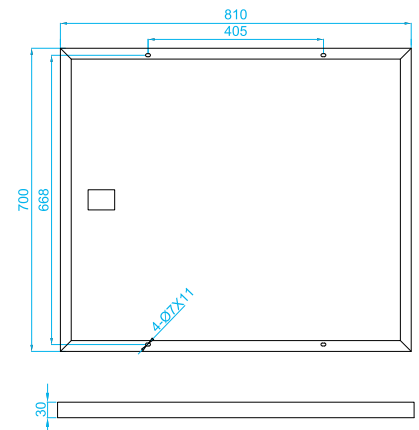
### Electrical Data

STC: Irradiance 1000 W/m<sup>2</sup>(module temperature 25°C AM1.5)

Module Type	FDS100-12M		
Nominal Peak Power	Pmax	Wp	100
Minimum Power Tolerance	$\Delta P_{max}$	%	-/+3
Max. Power Voltage	Vmp	V	19.0
Max. Power Current	Imp	A	5.27
Open-circuit Voltage	Voc	V	23.0
Short-circuit Current	Isc	A	5.72
Module Efficiency	$\eta_m$	%	17.7
Operating Temperature		°C	-40 to +85
Max Series Fuse Rating		A	10
Max. System voltage	DC	V	1,000
Weight		KGS	6.3
Dimension		MM	810*700*30



Dimensions unit : mm



Materials & Workmanship Warranty



90% Power Output Warranty



80% Power Output Warranty

Warranty : Solar Modules with 25 years warranty

#2, North Second Ring Road, Zhangjiagang City, China, 215600

Tel: 0086-512-58542102

Email: sales@fortunes-solar.com.cn

Website: www.fortunes-solar.com.cn

