



UPS



Camping



Home Backup Power



Solar Energy

Intelligent LFP Battery

Supply Users with Reliable & Safe Lithium Battery Solution

Company Instruction

Total Solution Provider based on Lithium-ion Technology in Global Arena

Vestwoods is a high-tech enterprise with a lot of invention patents on lithium-ion system. We heavily invest in BMS design, module manufacture, power system integration and customer service. Vestwoods dedicates to catering end user with effective, innovative, and customized lithium power solutions.

Established in

Hangzhou

2016

2017

Entered India
telecom market

2018

2019

Entered China,
Japan, SE Asia,
and the U.S. market

Established
overseas offices

2020

2021

Overseas Offices

Denver, America
Nagoya, Japan
New Delhi, India
Singapore
Taiwan, China

Domestic Corporations

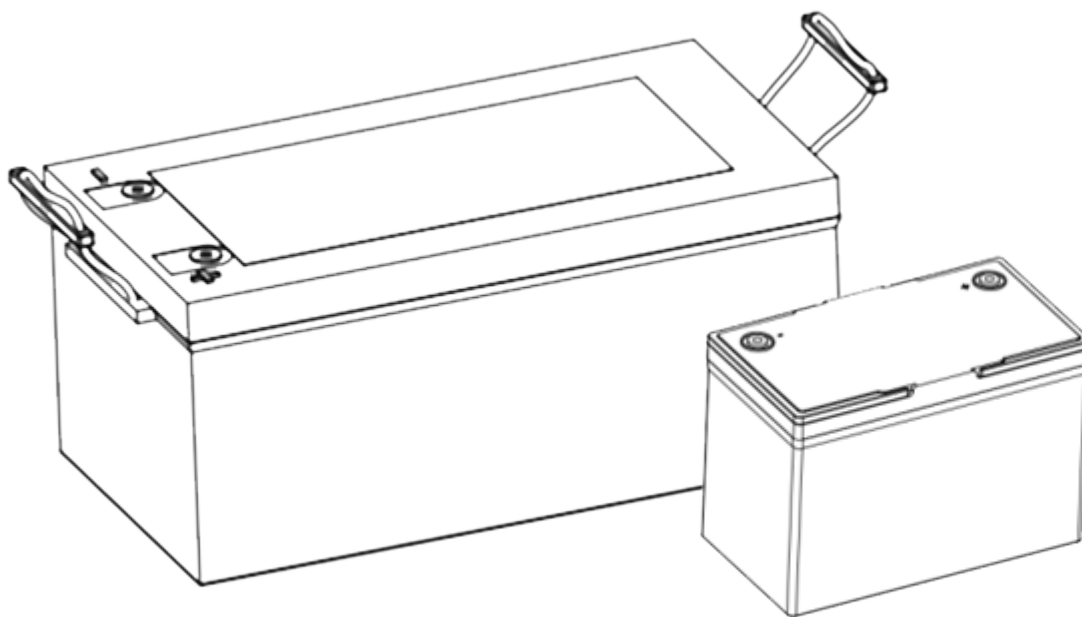
Hangzhou – Headquarter
Shenzhen – R&D Center
Nantong – Operation Center

Global Partners

England
Austria
Malaysia
Indonesia
Thailand



Lead-acid Replacement



Product Advantages



Super Long Service Life

- Super long service life, the number of cycles is 5~7 times of traditional lead-acid batteries



Portable

- The weight under the same volume is only 70% of the traditional lead-acid battery



Multiple Protection Functions

- Comprehensive safety experiment guarantee: vibration, drop, squeeze, puncture experiment, multi-functional BMS protection function



Easy installation

- Standard AGM shell, directly replace lead-acid battery, soft handlift design



Competitive Price

- Similar Price, but more powerful



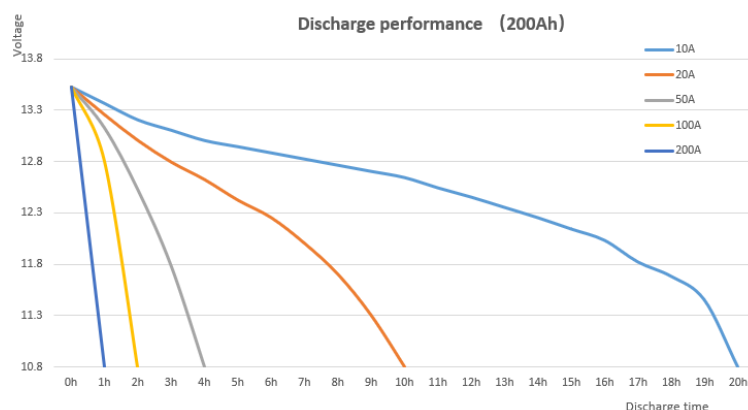
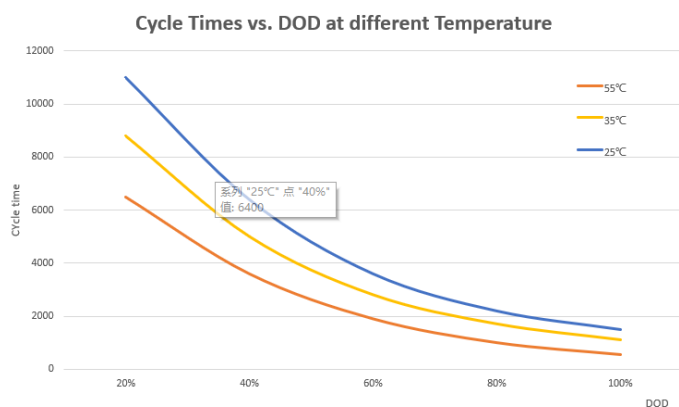
Multiple combinations

- Product capacity covers 100~240Ah, and supports 12V/24V/48V platforms

Product Parameter

No.	Item	Products	
		VT series	VC series
1	Rated Voltage/V	12.8	12.8
2	Standard Capability/Ah	100	160 / 180 / 200 / 220 / 240
3	Charge End Voltage/V	14.6	14.6
4	Discharge End Voltage/V	10.8	10.8
5	Standard Charge Current/A	50	50
6	Max Continue Charge current/A	60 / 100	60 / 100 / 250
7	Max Continue Discharge current/A	60 / 100	60 / 100 / 250
8	Operation Temperature	Charge: 0°C-45°C	Charge: 0°C-45°C
		Discharge: -20°C-55°C	Discharge: -20°C-55°C
9	Storage Temperature	15°C-35°C	15°C-35°C
10	IP Grade	IP67	IP67
11	Weight/kg	11.5	33
12	Dimensions/mm	307*169*213	520*270*220

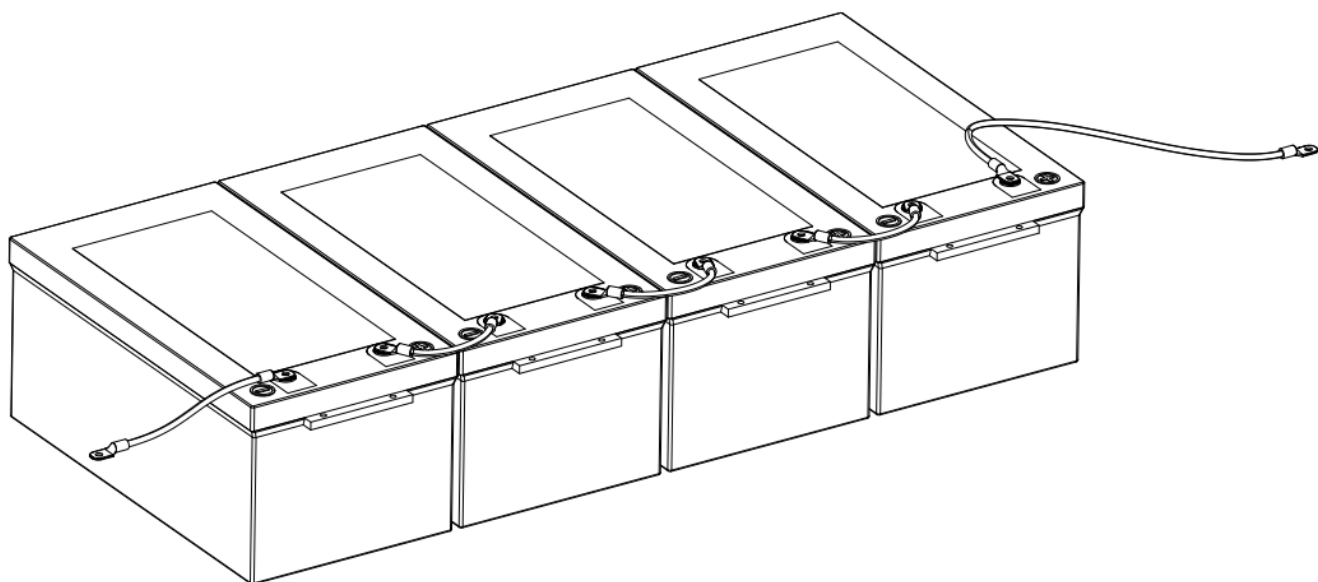
Item	Our Lithium Battery	Traditional Lead-acid Battery
Cycle Life	≥3000	≤600
Power Efficiency	≥95%	≤75%
Maintenance	Maintenance Free	Add acid on schedule
Service Life	8~10 Year	1.5 Year
Volumes	1/2 of Lead-acid Battery	---
Weight	1/3 of Lead-acid Battery	---
Charge mode	Quick Charge	10~12 Hours, with Memory Effect
Pollution	Environment Protection	Lead Pollution
Self Discharge	Little	Much



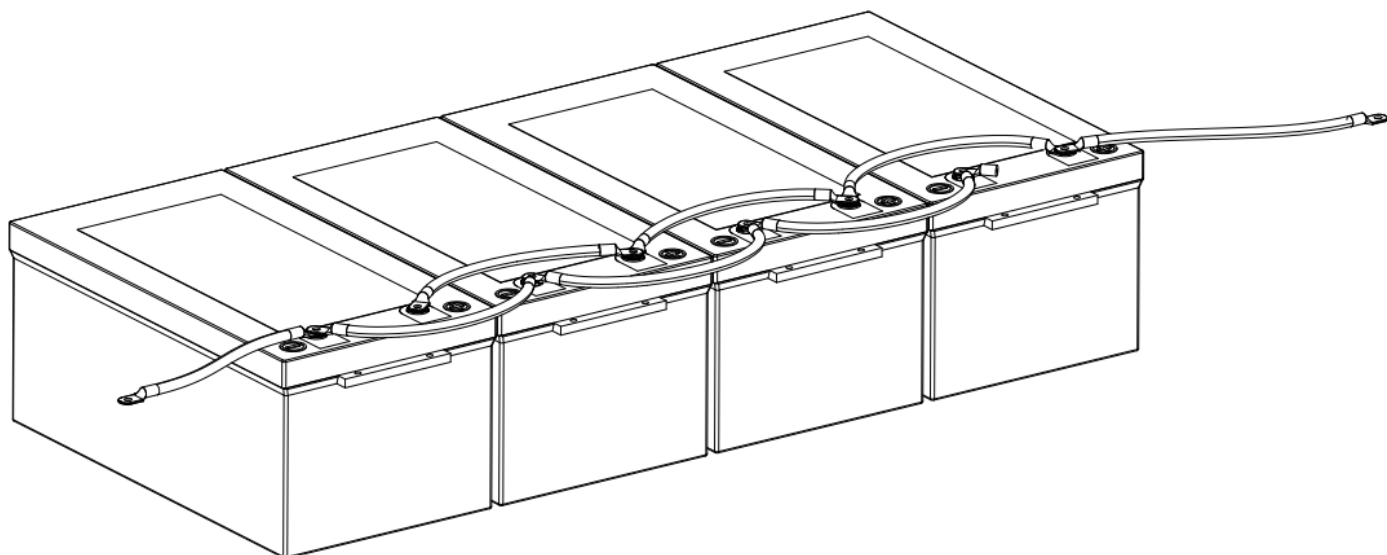
Parallel & Series Function

Vestwoods intelligent lithium batteries can be expanded and boosted through series or parallel. It can support up to 4 strings to 48V voltage platform, or 4 parallel to double the capacity. We recommend that the same type of products with the same capacity and gear be used in series and parallel operation. Please try to keep the battery status of the series and parallel as close as possible, which means the SOC is similar and the voltage is similar. Do not mix in series and parallel with the products of other suppliers. The series-parallel mode supports fast charging and can be adapted to various application scenarios such as RV, photovoltaic, and home storage.

Please refer to the following picture for series connection



Please refer to the following picture for parallel connection





Hangzhou Vestwoods Technology Co.,Ltd.

E-mail: sales@vestwoods.com

Address: Room 3409-3410, UK center, Mansion 2,
EFC, Wenyi Road, Yuhang District, Hangzhou

Tel: +86 57186183385

Shenzhen Vestwoods Technology Co.,Ltd.

E-mail: sales@vestwoods.com

Address: Room 705-706, Block B Building 7,
Shenzhen Bay Science and Technology Ecological
Park, Shahexi Road, Nanshan District, Shenzhen

Tel: +86 57186183385