

INE-72M SERIES 6 INCH 72 CELLS

# 380-400w

## PRODUCT CERTIFICATES



## KEY FEATURES

0~3%

Output positive tolerance/Guaranteed 0~3% positive tolerance ensures the power output reliability

PERC

Innovative Perc Cell Technology/Outstanding power output performance by perc cell



Anti PID technology/Excellent Anti-PID performance

NEW  
-IEC-

Tested and certified according IEC standard /IEC61215/IEC61730 standard quality



Highly reliable due to stringent quality control/Three times strict EL testing beyond certification requirements

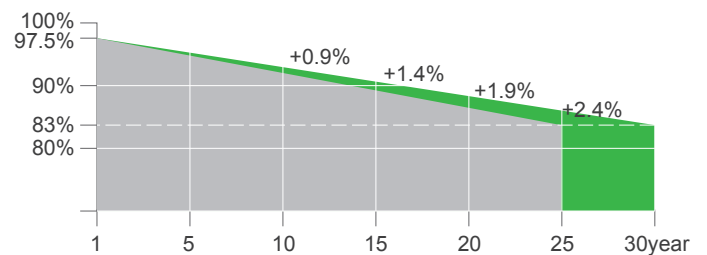


Lower temperature coefficients/Outstanding power output capability at low irradiance

## SYSTEM CERTIFICATES

IEC 61215 / IEC 61730  
ISO 9001 : Quality Management System  
ISO 14001 : Environment Mangement System  
OHSAS 18001 : Occupational Health and Safety Management System

## WARRANTY



12  
years

12-year Warranty for Materials and Processing

30  
years

30-year Warranty for Extra Linear Power Output

## ELECTRICAL PARAMETERS AT STC

Module Type	INE-380-72ML	INE-385-72ML	INE-390-72ML	INE-395-72ML	INE-400-72ML
Rated Maximum Power(Pmax) [W]	380	385	390	395	400
Open Circuit Voltage(Voc) [V]	48.9	49.1	49.3	49.5	49.8
Maximum Power Voltage(Vmp) [V]	40.5	40.8	41.1	41.4	41.7
Short Circuit Current(Isc) [A]	9.75	9.92	10.12	10.23	10.36
Maximum Power Current(Imp) [A]	9.39	9.44	9.49	9.55	9.60
Module Efficiency [%]	19.20	19.45	19.70	19.95	20.21

STC: Irradiance 1000 W/m2 module temperature 25°C AM=1.5

## ELECTRICAL PARAMETERS AT NOCT

Module Type	INE-380-72ML	INE-385-72ML	INE-390-72ML	INE-395-72ML	INE-400-72ML
Rated Maximum Power(Pmax) [W]	286	290	294	298	302
Open Circuit Voltage(Voc) [V]	47.50	47.70	48.00	48.20	48.50
Maximum Power Voltage(Vmp) [V]	38.60	38.80	39.10	39.30	39.60
Short Circuit Current(Isc) [A]	7.88	7.90	8.02	8.09	8.16
Maximum Power Current(Imp) [A]	7.42	7.48	7.54	7.60	7.66

NOCT: Irradiance 800 W/m2 ambient temperature 20°C wind speed: 1m/s

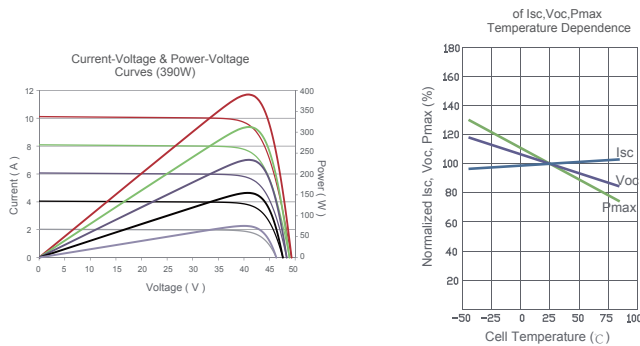
## MECHANICAL SPECIFICATION

Cell Type	Monocrystalline
Cell Dimensions	158.75*158.75mm(6inch)
Cell Arrangement	72(7*12)
Weight	22.8kg
Module Dimensions	1979*1002*40mm
Cable	4.0 mm <sup>2</sup> , wire length: 1200 mm or Customized Length
Front Glass	3.2 mm AR coating tempered glass, low iron
Frame	Anodized aluminium alloy
Junction Box	IP67/IP68
Connector	MC4 Compatible
Mechanical Load	Front side 5400Pa/ Rear side 2400Pa

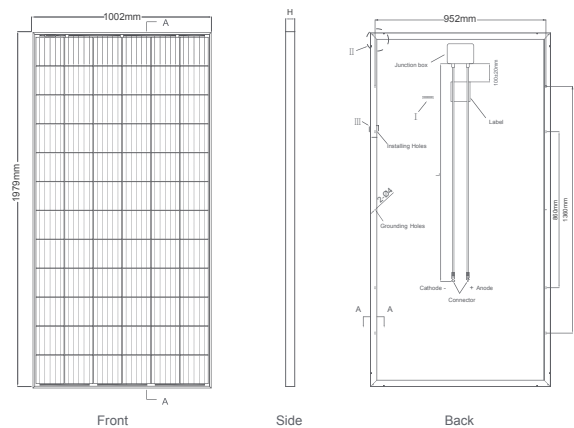
## OPERATING CONDITIONS

Power Tolerance (W)	(0,+4.99)
Maximum System Voltage (V)	1000VDC / 1500VDC
Pmax Temperature Coefficient	-0.36 %/°C
Voc Temperature Coefficient	-0.28%/°C
Isc Temperature Coefficient	+0.05 %/°C
Nominal Operating Cell Temperature	45±2 °C
Operating Temperature	-40 C -+85 C
Maximum Series Fuse	20A

## I-V Curve

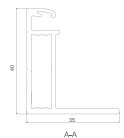


## Technical drawing(INE-XXX-72ML)



## PACKING CONFIGURATION

Quantity/Pallet	27pcs/pallet
Pallets/Container	10pallet/20GP; 22pallet/40HQ
Quantity/Container	270pcs/20GP; 660pcs/40HQ



\* All Dimensions in mm.

\* The above drawing is a graphical representation of the product.

For engineering quality drawings please contact IDEAL NEW ENERGY.