



# NPA100-12H

## Polycrystalline Module

**64 Cell**

Polycrystalline Module

**100W**

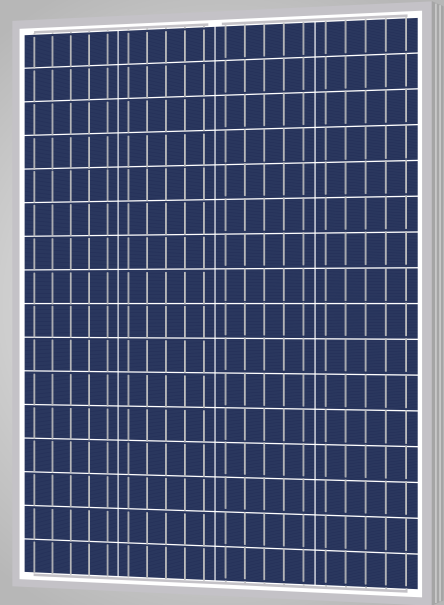
Power Output

**22.9%**

Maximum Efficiency

**5%**

Positive Tolerance



### High Efficiency

Module Efficiency improved through advanced cell technology and manufacturing capabilities



### High Performance Cost Ratio

Provide industry advanced cell technology and qualified materials at affordable prices



### Efficient Sorting Process

System output maximized by reducing mismatch losses up to 2% with modules sorted & packaged by amperage



### Highly Reliable

Solid encapsulation and diffusion barriers provides long term protection against PID damage, built to handle 5,400 Pa of front load, rear side 2,400Pa, Hailstone Test at 1.375 inches in diameter falling at terminal velocity through the sky.

Product Certificate

IEC 61215, IEC 61730

Management Certificate

ISO 9001: 2016

Other certificate

Fire Rating Class C, TÜV Rheinland

Positive mechanical load

>5400Pa

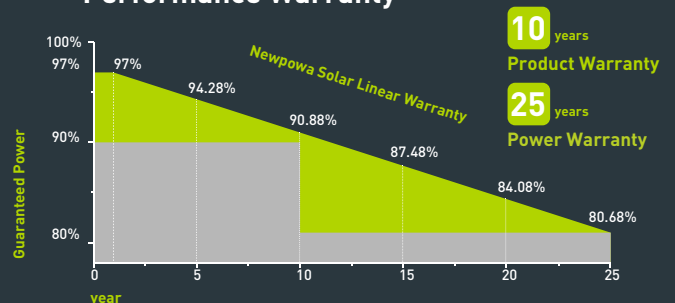
Positive Power Tolerance

0~+5W

Warranty

25-year Linear Power Warranty

### Performance Warranty



## ELECTRICAL CHARACTERISTICS

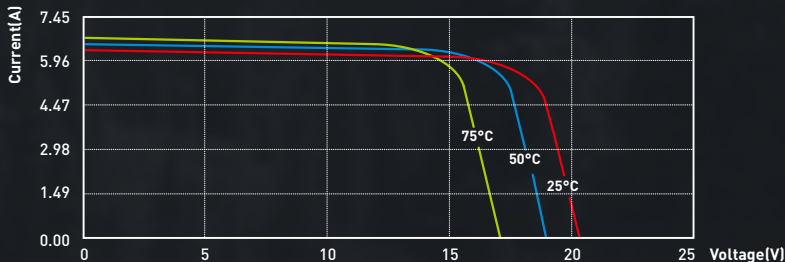
Type	NPA100-12H
Power Output(W)	100W
Voltage MPP Vmp(V)	17.0V
Current MPP Imp(A)	5.89A
Voltage Open Circuit Voc(V)	20.23V
Short Circuit Current Isc(A)	6.25A
Temperature Coefficient Of Voc	-(80±10)mV/°C
Temperature Coefficient Of Isc	[0.065±0.015]%/°C
Temperature Coefficient Of Power	-(0.5±0.05)%/°C
NOCT (Air 20°C; Sun 0.8kW/m <sup>2</sup> wind 1m/s)	47±2°C

STC: 1000W/m<sup>2</sup> Irradiance, 25°C module temperature, AM1.5g spectrum according to EN 60904-3

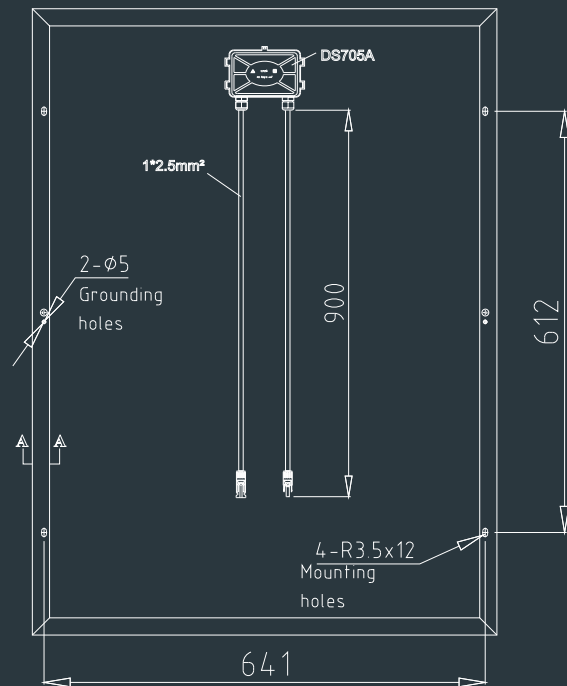
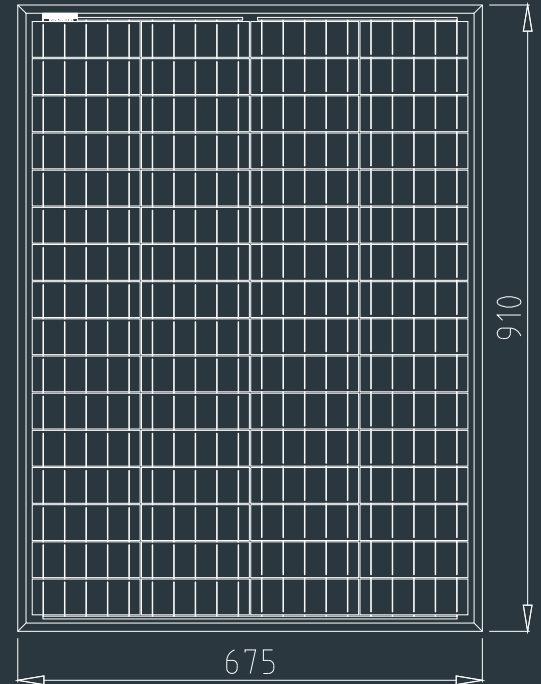
## MECHANICAL CHARACTERISTICS

Cells	Polycrystalline Silicon
Solar Cells Grade	Class A High Efficiency
Module Dimension(mm/in.)	910[35.83]x675[26.57]x30[1.18]
Weight(kg/lbs)	7.00[15.43]
Packing Information(mm/in.)	1065[41.93]x727[28.62]x57[2.24]/(1pc/ctn)

## I-V CURVES (Irradiance: AM1.5, 1km/m<sup>2</sup>)



\*Specifications subject to technical changes and tests.  
NEWPOWA reserves the right of final interpretation.



702-628-7600



sales@newpowa.com



www.newpowa.com



3633 Inland Empire Blvd, Ste 600, Ontario, CA 91764