

POLYCRYSTALLINE SOLAR MODULES

SSS 240W - SSS 280W Power Range
60 CELLS • 5BB • 1500V/1000V SERIES



Positive tolerance
 Guaranteed tolerance +3%
 Reliable power output



High module efficiency
 Module efficiency up to 17.14%



Strong compressive strength
 Certified to withstand high wind of 2400Pa
 and snow loads of 5400Pa



High manufacture standards
 certified to high standards by the
 most reputable labs According to
 IEC:61215: IEC:61730-1/2



International Management System
 Manufactured and certified according
 to ISO9001, Quality management system



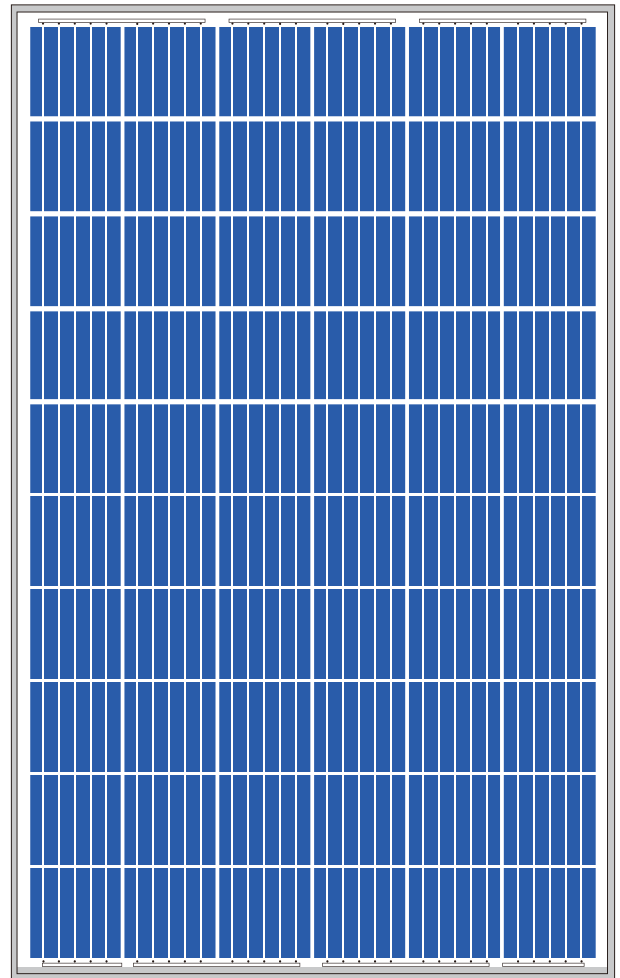
Fire test approved
 Application class A, Safety Class II, Fire Rating C



Excellent performance under extreme condition
 High salt mist and ammonia resistance



Reliable quality forever
 Without potential induced
 degradation(PID-free)



CERTIFICATIONS

ISO9001:2015, ISO 14001:2015, ISO 45001:2018 (OHSAS 18001) certified company
 IEC61215, IEC61730-1&2, IEC61701, IEC62804(PID) certified product



TECHNICAL DATA

60 CELLS • 5BB • 1500V/1000V SERIES

POLYCRYSTALLINE SOLAR PV MODULES



ELECTRICAL DATA

STC	SSS-240	SSS-250	SSS-270	SSS-280
Max. Power at STC P_{max} (Wp)	240	250	270	280
Power Tolerance (%)	0 - 3	0 - 3	0 - 3	0 - 3
Max. Voltage V_{mpp} (V)	30.96	31.08	32.28	32.82
Max. Current I_{mpp} (A)	7.76	8.05	8.37	8.54
Open Circuit Voltage V_{oc} (V)	37.08	37.2	38.28	38.7
Short Circuit Current I_{sc} (A)	8.17	8.47	8.8	8.99
Module Efficiency (%)	14.69	15.30	16.53	17.14

ELECTRICAL PARAMETERS

NOCT	SSS-240	SSS-250	SSS-270	SSS-280
Max. Power at NOCT P_{max} (Wp)	178.84	186.24	201.12	208.51
Max. Voltage V_{mpp} (V)	28.32	28.43	29.52	30.00
Current I_{mpp} (A)	6.32	6.55	6.81	6.95
Open Circuit Voltage V_{oc} (V)	34.48	34.59	35.59	35.98
Short Circuit Current I_{sc} (A)	6.67	6.92	7.19	7.34

Electric characteristics at normal standard conditions (STC)
STC Conditions: Irradiance: 1,000W/m², cell temperature: 25°C, AM-1.5

Electric characteristics at normal operation conditions
(NOCT) NOCT Conditions: Irradiance: 800W/m², ambient temperature: 20°C, AM-1.5, wind speed: 1m/s

TEMPERATURE COEFFICIENTS

Tc of Open Circuit Voltage V_{oc} (β)	-0.31%/°C
Tc of Short Circuit Current I_{sc} (α)	0.04%/°C
Tc of Power P_{max} (γ)	-0.39%/°C

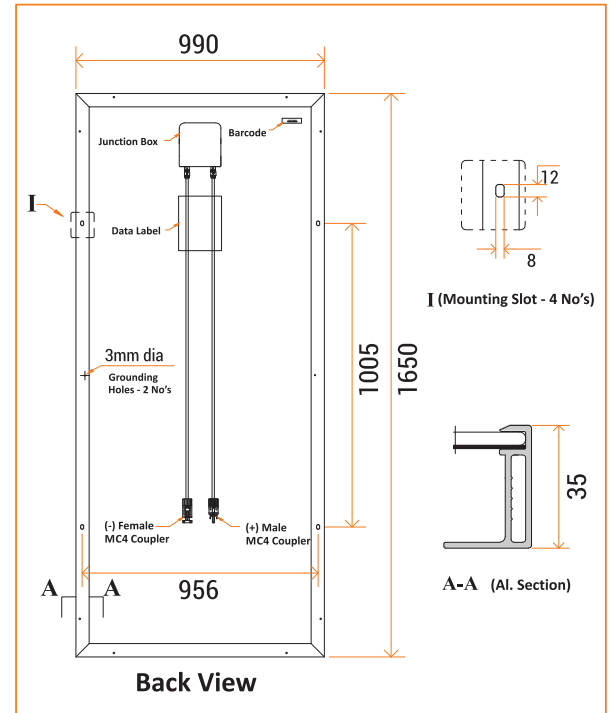
PERMISSIBLE OPERATING CONDITIONS

Max. System Voltage	1500 VDC
NOCT	45±2 °C
Temperature Range	-40°C to +85°C

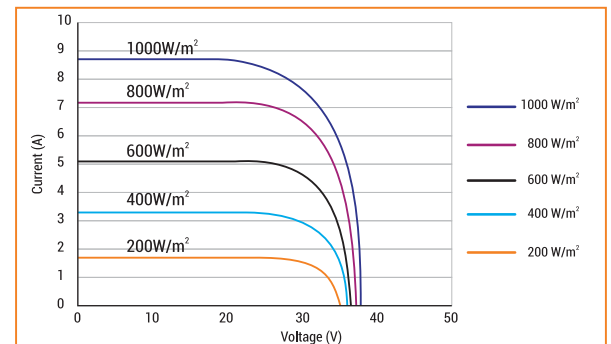
MECHANICAL DATA

Solar Cell	60 / Multicrystalline Silicon / 156.75mm x 156.75mm / 5BB
Cell Encapsulant	Ultra-Clear PID free EVA (Ethylene - Vinyl- Acetate)
Dimension	(L) 1650mm x (W) 990mm x (H) 35mm
Weight	17.5 Kg
Junction Box	IP68 / IP67 Certified, 4-rail, 3 Bypass diodes
Cable	1000 mm length / 4mm ²
Plug Connector	MC4 Compatible / MC4 Connectors
Front Cover	3.2mm, High Transmission, AR Coated Tempered Glass
Backsheet	UV Protected Reflective Backsheet
Frame	Silver Anodized Aluminum Alloy (screwless)
Application Class	Class A
Electrical Safety	Class II
Fire Safety	Class C (Type 1)
Surface Load	Snow Load (5400 Pascal) & Wind Load (2400 Pascal)
Max. Series Fuse Rating	15 Amp

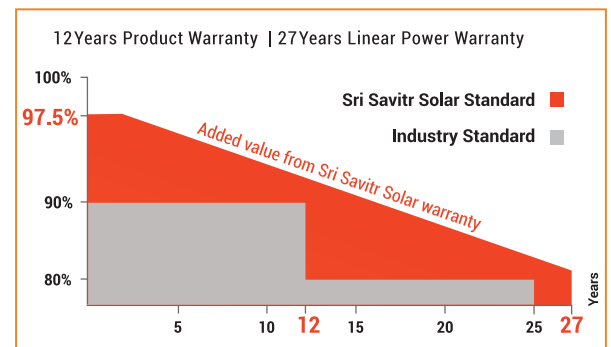
DIMENSIONS in mm



I-V CURVES



LINEAR PERFORMANCE WARRANTY



PACKAGING INFORMATION

Container	20' GP	40' HC
Pallets / Container	14	28
Modules / Container	400	840

CAUTION : READ SAFETY AND INSTALLATION INSTRUCTIONS BEFORE USING THE PRODUCT

Due to constant product modifications, Sri Savitr Solar reserves the right to amend the above specifications without prior notice. Please confirm your exact requirement with the company representative while placing your order.