

Monocrystalline Module Models

GP-180M-36 GP-170M-36 GP-160M-36

Electrical Specifications

*STC : Irradiance 1000W/m², AM1.5 spectrum, module temperature 25°C

Model type	GP-180M-36	GP-170M-36	GP-160M-36
Peak power (Pmax)	180W	170W	160W
Cell Efficiency	21.55%	20.35%	19.16%
Maximum power voltage (Vmp)	20.0V	19.5V	19.1V
Maximum power current (Imp)	9.00A	8.72A	8.38A
Open circuit voltage (Voc)	23.4V	23.1V	22.6V
Short circuit current (Isc)	9.40A	9.15A	8.89A
Power Tolerance	±3%		
Maximum system voltage	1000V		
Series fuse rating (A)	12		
Number of bypass diode	2		



Temperature Coefficients

Current Temperature Coefficient $\alpha(I_{sc})$	0.03%/°C
Voltage Temperature Coefficient $\beta(V_{oc})$	-0.32%/°C
Power Temperature Coefficient	-0.42%/°C
Nominal Temperature Of Cells(NOTC)	46±2°C
Application Temperature Range	-40~+85°C

Mechanical Characteristics

Dimensions :	1480 x 670 x 35mm (58.27x26.38x1.38 inch)
Weight:	10.7kg (23.75 lbs)
Solar Cells:	36 cells in series(4x 9)
Construction:	High-transmission low-iron tempered glass , EVA, TPT/TPE
Frame:	Anodized aluminum is mainly for improving corrosion resistance. Color: silver

Output

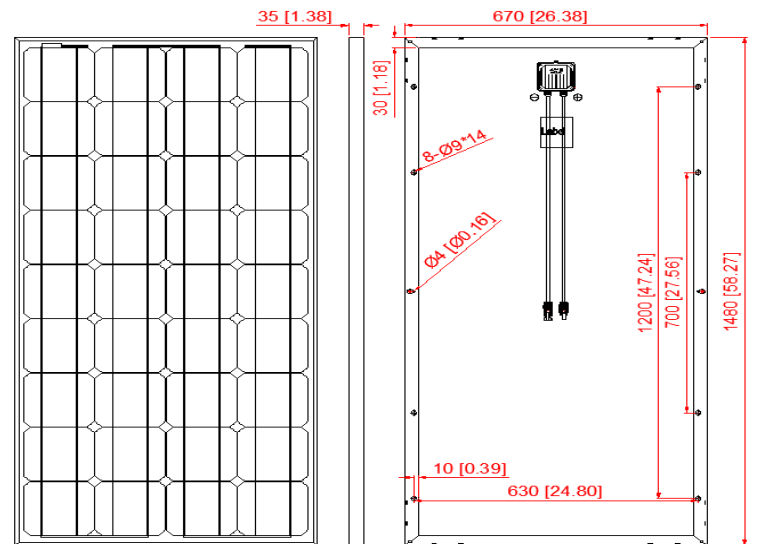
Cable	LAPP(4 mm ²)
Lengths	900mm(-) and 900mm(+)
Connector	MC Plug Type IV

Module Warranty:

- 25-year limited warranty of 80% power output;
- 10-year limited warranty of 90% power output;
- 10-year limited warranty of materials and workmanship.

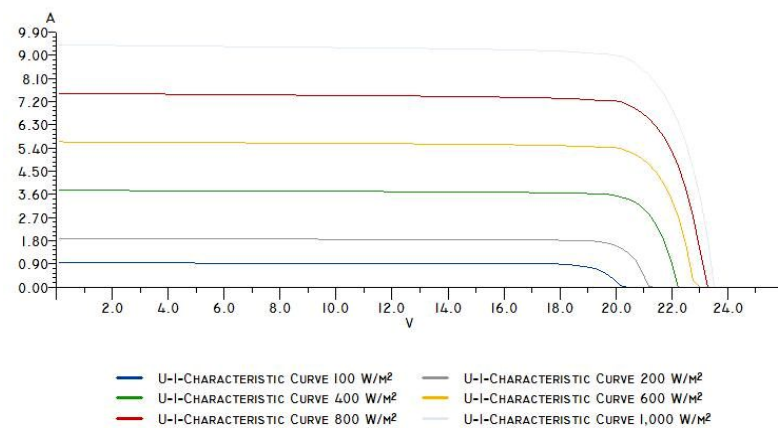
Note: This publication summarizes product warranty and Specifications which are subject to change without notice

Product photos are for reference only, on behalf of actual product.



Module Diagram

U-I-CHARACTERISTIC CURVE AT 25 °C



Electrical Performance