



Monocrystalline Solar PV Modules

IEC61215/61730 Quality/ ISO Certified Company

Model No. FDS110-12M150



150W

Temperature Coefficients

Nominal Operating Cell Temperature	NOCT	°C	45 +/-2
Voltage Temperature Coefficient (Voc)	α	%/°C	-0.29
Current Temperature Coefficient (Isc)	β	%/°C	0.05
Power Temperature Coefficient (Pmpp)	γ	%/°C	-0.39

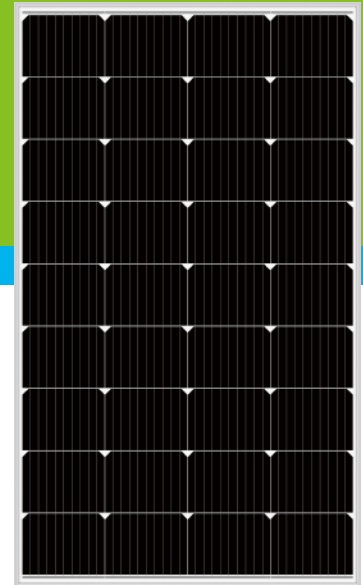
Mechanical Data

Solar Cell	Monocrystalline, 166*124.5
Arrangement	36Cells (4*9)
Front Glass	3.2mm Tempered
Frame	Anodized Aluminium
Max. Static Snow Load, Front	5,400Pa
Max. Static Wind Load, Back	2,400Pa
Junction Box	Potted, 1,000VDC, IP67, 2 Schoktty Bypass Diodes
Cables & Connectors	Dia. 4.0mm2(12AWG), L 900mm

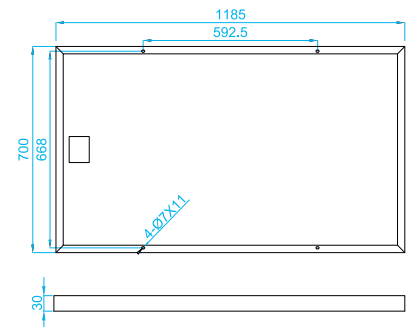
Electrical Data

STC: Irradiance 1000 W/m²(module temperature 25°C AM1.5)

Module Type	FDS110-12M150		
Nominal Peak Power	Pmax	Wp	150
Minimum Power Tolerance	ΔP_{max}	%	-/+3
Max. Power Voltage	Vmp	V	19.0
Max. Power Current	Imp	A	7.90
Open-circuit Voltage	Voc	V	23.0
Short-circuit Current	Isc	A	8.58
Module Efficiency	η_m	%	18.1
Operating Temperature		°C	-40 to +85
Max Series Fuse Rating		A	15
Max. System voltage	DC	V	1,000
Weight		KGS	9.2
Dimension		MM	1185*700*30



Dimensions unit : mm



Materials & Workmanship Warranty



90% Power Output Warranty



80% Power Output Warranty

Warranty : Solar Modules with 25 years warranty

#2, North Second Ring Road, Zhangjiagang City, China, 215600

Tel: 0086-512-58542102

Email: sales@fortunes-solar.com.cn

Website: www.fortunes-solar.com.cn

