

Solar Charge Controller

PY-P2430N
PY-P2440N

PWM Solar Charge Controller - BT APP Negative Grounded Model

12/24V Auto Recognition 30A/40A



APP Operation

PY-P2430N / PY-P2440N is a solar charge controller with advanced Pulse Width Management (PWM) 3-phase charge technology, widely used in various kinds of solar stand alone power systems up to 1.2KW. With in-built Bluetooth module, we can use mobile phone APP to monitor and operate this controller. Additionally, it's a negative grounded model, suitable for power systems that requires a negative grounded wiring work.

Key Figures

- *Bluetooth APP operation available
- *PCB wiring negative grounded design
- *Full range of electronic protections
- *Lead-acid AGM/GEL/Flooded & Lithium batteries supportable
- *LCD display & key operation for parameter settings
- *Ultra cooling system with over rating heating sink & multiple MOSFET design

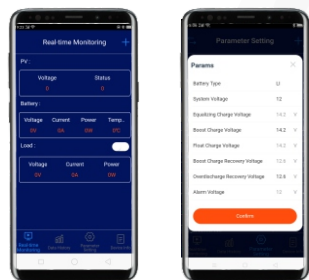
Extensive Functions:

- Li mode use for lithium battery charge & discharge
- User mode available allows customized settings for different batteries
- Up to 17 kinds of DC load output control, including "dusk to dawn" & manual switch
- Extra USB 5V 1A DC output
- One more year of warranty than other similar models in the market

App

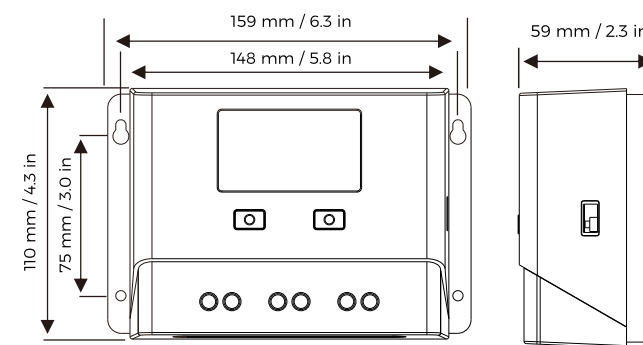


PV Charge Pro



Google Play Store

Controller Parameter	Value				
Model No.	PY-P2430N	PY-P2440N			
System Wiring Grounded	Negative Grounded				
Battery System Voltage	12V/24V Auto (FLD/GEL/SLD) Manual (Li)				
No-load Loss	8ma (12V), 12ma (24V)				
Max Solar Input Voltage	<100Voc				
Rated Solar Charge Current	30A	40A			
Max Solar Input Power	450W/12V:900W/24V	600W/12V:1200W/24V			
Light Control Voltage	5V*n				
Light Control Delay Time	10s				
Max Load Output Current	30A	40A			
USB Output	5V 1A				
Operating Temperature	-35°C ~ +45°C				
IP Protection	IP32				
Net Weight	0.65 kg				
Communication	Built-in Bluetooth Module				
Operating Altitude	≤ 3000 meters				
Controller Dimension	159*118*59 mm				
Battery Voltages	Battery Parameters				
Battery Types	FLD	SEL	GEL(default)	USER (adjustable)	LI (adjustable)
Equalize Charge Voltage	14.8V*n	14.6V*n	-	Default	-
Boost Charge Voltage	14.6V*n	14.4V*n	14.2V*n	Default: GEL	Default: 14.2V*n
Float Charge Voltage		13.8V*n		Default: GEL	-
Boost Charge Recovery Voltage		13.2V*n		Default: GEL	-
Over-discharge Recovery Voltage		12.6V*n		Default: GEL	-
Over-discharge Voltage		11.1V*n		Default: GEL	Default: 11.1V*n



Application scenarios

