

Polycrystalline Module Models

GP-280P-72 GP-270P-72

Electrical Specifications

*STC : Irradiance 1000W/m², AM1.5 spectrum, module temperature 25 °C

Model type	GP-280P-72	GP-270P-72
Peak power (Pmax)	280W	270W
Cell Efficiency	18.52%	17.86%
Maximum power voltage (Vmp)	38.2V	37.5V
Maximum power current (Imp)	7.33A	7.20A
Open circuit voltage (Voc)	45.2V	44.6V
Short circuit current (Isc)	7.80A	7.65A
Power Tolerance	±3%	
Maximum system voltage	1000V	
Series fuse rating (A)	10	
Number of bypass diode	3/6	

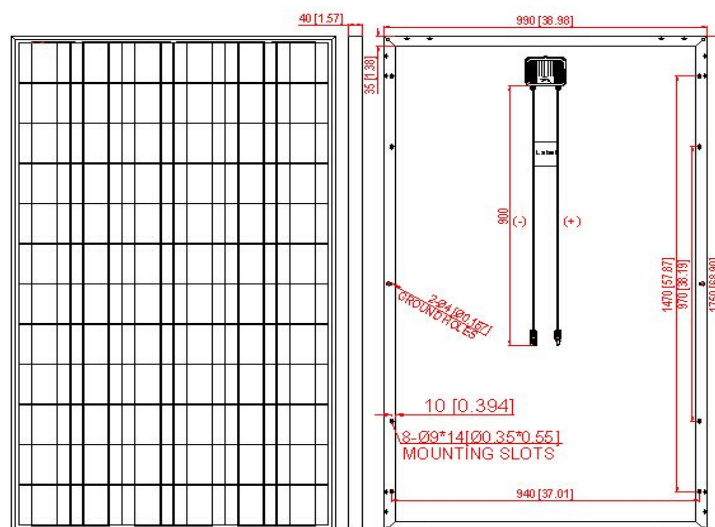


Temperature Coefficients

Current Temperature Coefficient α(Isc)	0.08%/°C
Voltage Temperature Coefficient β(Voc)	-0.32%/°C
Power Temperature Coefficient	-0.38%/°C
Nominal Temperature Of Cells(NOTC)	46±2 °C
Application Temperature Range	-40~+85 °C

Mechanical Characteristics

Dimensions	1750 x 990 x 40mm (68.90x38.98x1.58 inch)
Weight:	19.2 kg (42.63 lbs)
Solar Cells:	72 cells in series(6 x 12)
Construction:	High-transmission low-iron tempered glass , EVA, TPT/TPE
Frame:	Anodized aluminum is mainly for improving corrosion resistance. Color: silver



Module Diagram

Output

Cable	LAPP(4 mm ²)
Lengths	900mm(-) and 900mm(+)
Connector	MC Plug Type IV

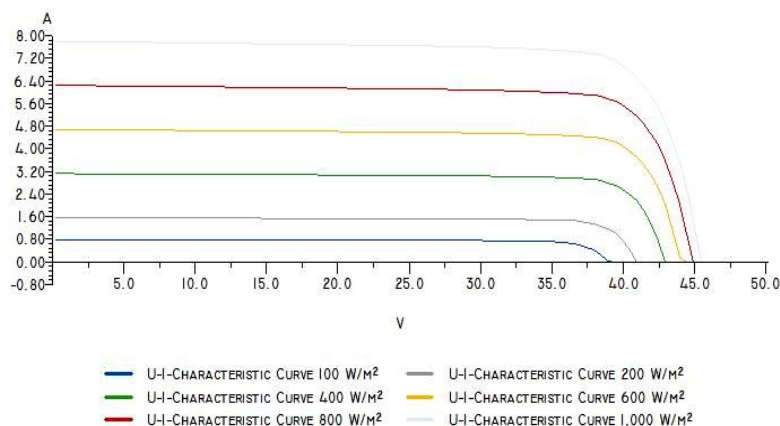
Module Warranty:

- 25-year limited warranty of 80% power output;
- 10-year limited warranty of 90% power output;
- 10-year limited warranty of materials and workmanship.

Note: This publication summarizes product warranty and Specifications which are subject to change without notice

Product photos are for reference only, on behalf of actual product.

U-I-CHARACTERISTIC CURVE AT 25 °C



Electrical Performance