



fangpusun Solarix
2401, 4401

The solar charge controllers Fangpusun Solarix 2401 and 4401 are optimally suited for inverter systems. The controller combines basic solar charger functions with a 40 A high-performance charge controller. It is available as 12 V / 24 V and 48 V system. This makes the solar charge controller very cost effective. The load current is limited to 10 A. The charging processes are based on the voltage level, which can be individually set with the help of four buttons behind the front casing

Product features

- Hybrid controller
- Voltage regulation
- Automatic detection of voltage
- PWM control
- Multistage charging technology
- Load disconnection depending on voltage
- Automatic load reconnection
- Temperature compensation
- Common positive grounding or negative grounding on one terminal
- Intergrated self test
- Monthly maintenance charge

Electronic protection functions

- Overcharge protection
- Deep discharge protection
- Reverse polarity protection of load, module and battery
- Reverse polarity protection by internal fuse
- Automatic electronic fuse
- Short circuit protection of load and module
- Overvoltage protection at module input
- Open circuit protection without battery
- Reverse current protection at night
- Overtemperature and overload protection
- Battery over voltage shutdown

Displays

- Text LCD display for operation, state of charge, fault messages

Operation

- Simple menu-driven operation
- Programming by buttons
- Manual load switch

Interfaces

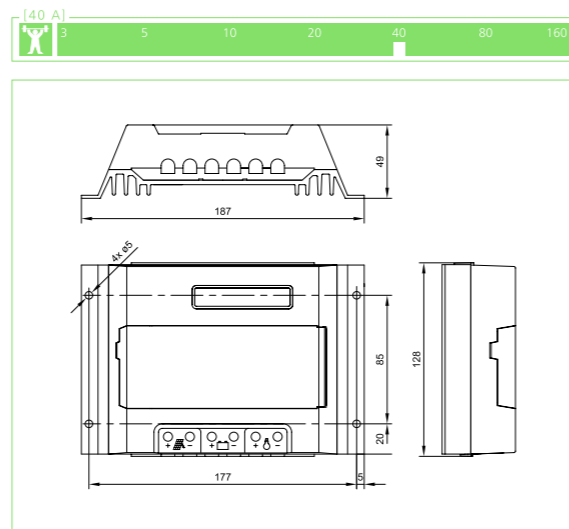
- Rj45 interface

Options

- External temperature sensor
- Alarm contact

Certificates

- Compliant with European Standards (CE)
- RoHS compliant
- SGS
- ISO 9001
- Made in China



	2401	4401
Characterisation of the operating performance		
System voltage	12 V (24 V)	48 V
Own consumption	14 mA	
DC input side		
Open circuit voltage solar module	< 47 V	< 82 V
Module current	40 A	
DC output side		
Load current	10 A	
End of charge voltage	13.7 V (27.4 V)	54.8 V
Boost charge voltage	14.4 V (28.8 V)	57.6 V
Equalisation charge	14.7 V (29.4 V)	58.8 V
Reconnection voltage (LVR)	12.6 V (25.2 V)	50.4 V
Deep discharge protection (LVD)	11.1 V (22.2 V)	44.4 V
Operating conditions		
Ambient temperature	-10 °C ... +60 °C	
Fitting and construction		
Terminal (fine / single wire)	16 mm ² / 25 mm ² - AWG 6 / 4	
Degree of protection	IP 32	
Dimensions (X x Y x Z)	187 x 128 x 49 mm	
Weight	550 g	

Technical data at 25 °C / 77 °F



Fangpusun PA Tarcom
Data logger
12/24/48V
(page 19)



Fangpusun PA Hs200
Shunt
10-65V
(page 20)



Fangpusun PA 15
Solar charge controller
10-30A, 12/24V
(page 21)



fangpusun Tarom
235, 245, 440

The Fangpusun Tarom is a solar charge controller specifically designed for use in telecommunications applications or in hybrid photovoltaic systems. Numerous clever functions allow the user to adjust the controller to the particular features of the system in question. Thanks to the significantly improved state of charge determination, the system is optimally controlled and batteries are protected. The Fangpusun Tarom charge controller is the best choice for system sizes of up to 2400 Wp at three voltage levels (12V, 24V, 48V).

There is the option of connecting additional devices such as a temperature sensor, a data logger and a remote control for configuring and monitoring the system. An intergrated Ah meter also provides the user with information on the energy budget of the application.

Product features

- Hybrid controller
- State of charge determination with Fangpusun AtonIC (SOC)
- Voltage regulation
- Automatic detection of voltage
- PWM control
- Multistage charging technology
- Load disconnection depending on voltage
- Automatic load reconnection
- Temperature compensation
- Common positive grounding or negative grounding on one terminal
- Intergrated data logger
- Night light function with Fangpusun PA 15
- Intergrated self test
- Monthly maintenance charge
- Intergrated energy meter

Electronic protection functions

- Overcharge protection
- Deep discharge protection
- Reverse polarity protection of load, module and battery
- Reverse polarity protection by internal fuse
- Automatic electronic fuse
- Short circuit protection of load and module
- Overvoltage protection at module input
- Open circuit protection without battery
- Reverse current protection at night
- Overtemperature and overload protection
- Battery over voltage shutdown

Displays

- Text LCD display for operation, state of charge, fault messages

Operation

- Simple menu-driven operation
- Programming by buttons
- Manual load switch

Interfaces

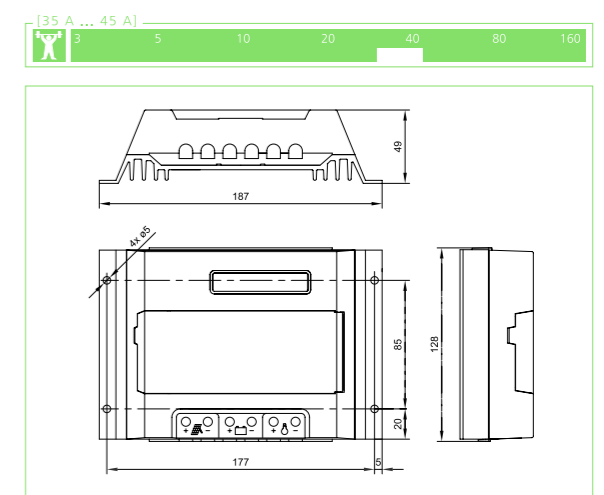
- Rj45 interface

Options

- External temperature sensor
- Alarm contact

Certificates

- Compliant with European Standards (CE)
- RoHS compliant
- SGS
- ISO 9001
- Made in China



	235	245	440
Characterisation of the operating performance			
System voltage	12 V (24 V)		48 V
Own consumption	14 mA		
DC input side			
Open circuit voltage solar module	< 47 V		< 82 V
Module current	35 A	45 A	40 A
DC output side			
Load current	35 A	45 A	40 A
End of charge voltage	13.7 V (27.4 V)		54.8 V
Boost charge voltage	14.4 V (28.8 V)		57.6 V
Equalisation charge	14.7 V (29.4 V)		58.8 V
Reconnection voltage (SOC / LVR)	> 50 % / 12.6 V (25.2 V)		> 50 % / 50.4 V
Deep discharge protection (SOC / LVD)	< 30 % / 11.1 V (22.2 V)		< 30 % / 44.4 V
Operating conditions			
Ambient temperature	-10 °C ... +60 °C		
Fitting and construction			
Terminal (fine / single wire)	16 mm ² / 25 mm ² - AWG 6 / 4		
Degree of protection	IP 32		
Dimensions (X x Y x Z)	187 x 128 x 49 mm		
Weight	550 g		

Technical data at 25 °C / 77 °F



Fangpusun PA Tarcom
Data logger
12/24/48V
(page 19)



Fangpusun PA Hs200
Shunt
10-65V
(page 20)



Fangpusun PA 15
Solar charge controller
10-30A, 12/24V
(page 21)