

The logo features a stylized white 'A' on the left, composed of geometric shapes. To its right, the word 'AWALI' is written in a large, bold, white sans-serif font. Below 'AWALI', the word 'SHREDDER' is written in a smaller, bold, white sans-serif font. The entire logo is centered on a dark, wavy background that resembles a close-up of a shredder's cutting mechanism.

**AWALI**  
**SHREDDER**

# WLG SERIES

— double shaft shredder —

## APPLICATION



Plastic film



Woven bag



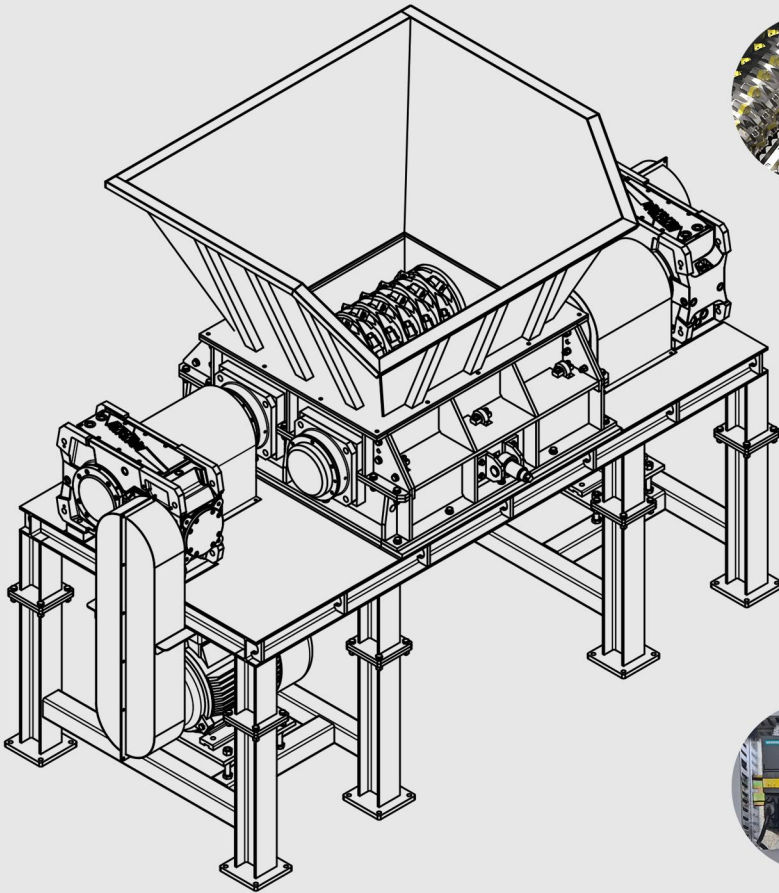
Ton bag



Fabric



Paper



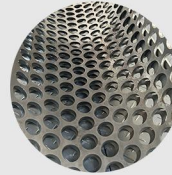
## Blades

Arranged in V shape, reduced the resistance when shredding; Fixed by bolts, the knife seats are welded on the rotor, easy to replace.



## Motor & Gear box

Double motor+Double gearbox reducer, strong power, large output torque, high load capacity, high efficiency.



## Sieve

Separate sieves, can be replaced independently; Specific sieve aperture to ensure discharging size.



## PLC control system

Siemens LCD screen, real time monitoring, abnormal alarm, remote diagnosis, data analysis, intelligent operation and maintenance.



WLG1000 | WLG1200

## SPECIFICATION

| Model   | Power(kw) | Blade size(mm) | Blade diameter(mm) | Rated speed(rpm) | Dimension(mm)  | N.W.(kg)     |
|---------|-----------|----------------|--------------------|------------------|----------------|--------------|
| WLG1000 | 45+45     | 880*1000       | Φ400               | 83               | 3500*1600*3700 | Approx 6000  |
| WLG1200 | 90+90     | 1050*1200      | Φ480               | 82               | 4200*2100*2800 | Approx 12900 |

# WLS SERIES

— double shaft shredder —

## APPLICATION



Kitchen garbage



Carton



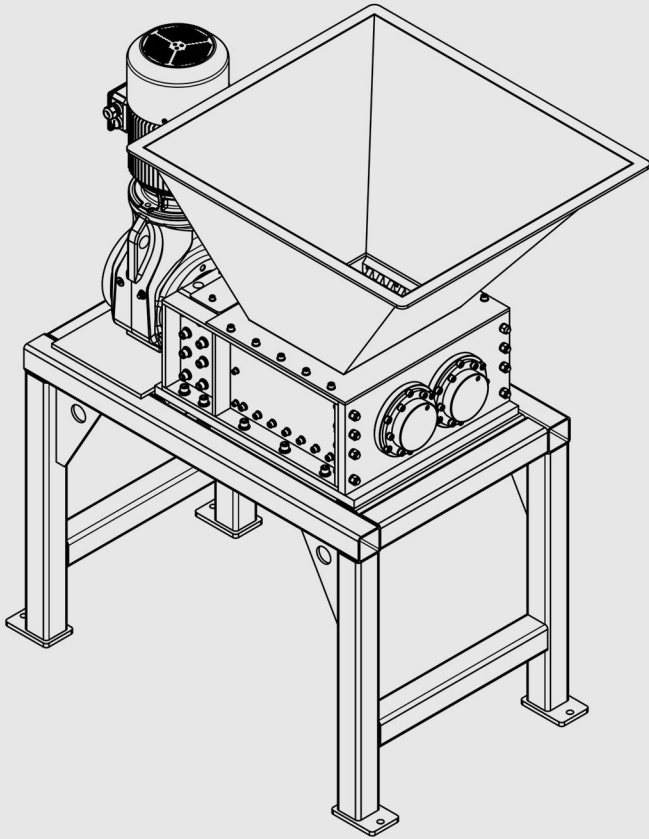
Garden garbage



Jar



Electronic waste



## Rotor blades

Made of high wear-resistant and corrosion-resistant alloy, long service, repairable and easy to replace.



## Fixed blades

Wind-resistant, wear resistant, low failure rate.



## Bearing seal

4 layers bearing seal, waterproof, dustproof.



## PLC control system

Siemens LCD screen, real time monitoring, abnormal alarm, remote diagnosis, data analysis, intelligent operation and maintenance.



WLS350



WLS505



WLS608



WLS710

## SPECIFICATION

| Model  | Power(kw) | Blade size(mm) | Blade diameter(mm) | Rated speed(rpm) | Dimension(mm)  | N.W.(kg)    |
|--------|-----------|----------------|--------------------|------------------|----------------|-------------|
| WLS350 | 5.5/7.5   | 450*350        | Φ235               | 27               | 1320*800*1800  | Approx 600  |
| WLS505 | 15/18.5   | 550*500        | Φ280               | 18               | 2240*1050*2020 | Approx 1200 |
| WLS608 | 22        | 640*800        | Φ300               | 12-20            | 2500*1120*2230 | Approx 1800 |
| WLS710 | 30        | 690*1000       | Φ330               | 12-20            | 2510*1865*2550 | Approx 2200 |

# WLP SERIES

— double shaft shredder —

## APPLICATION



Tire



Large furniture



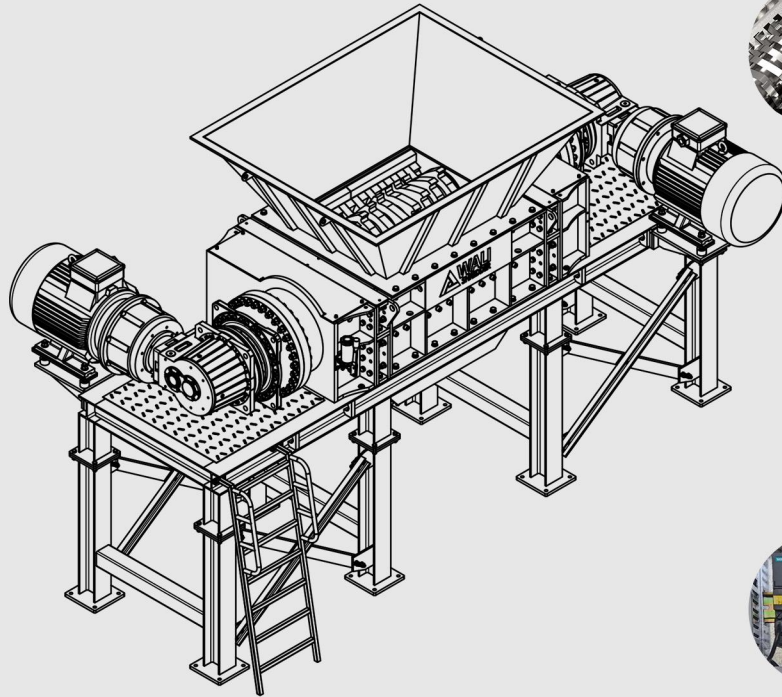
Dangerous waste



Abandoned appliance



Domestic garbage



## Rotor blades

Made of high wear-resistant and corrosion-resistant alloy, long service, repairable and easy to replace.



## Fixed blades

Wind-resistant, wear resistant, low failure rate.



## Bearing seal

4 layers bearing seal, waterproof, dustproof.



## PLC control system

Siemens LCD screen, real time monitoring, abnormal alarm, remote diagnosis, data analysis, intelligent operation and maintenance.



WLP710 | WLP812



WLP912 | WLP1016 | WLP1216 | WLP1220

## SPECIFICATION

| Model   | Power(kw)     | Blade size(mm) | Blade diameter(mm) | Rated speed(rpm) | Dimension(mm)  | N.W.(kg)          |
|---------|---------------|----------------|--------------------|------------------|----------------|-------------------|
| WLP710  | 30+30         | 690*1000       | Φ330               | 13-20            | 3150*2150*2500 | Approx 4500       |
| WLP812  | 45+45         | 790*1200       | Φ370               | 13-20            | 4100*2300*2800 | Approx 8000       |
| WLP912  | 55+55/75+75   | 980*1200       | Φ480               | 10-20            | 4600*2600*2900 | Approx 9500/11600 |
| WLP1016 | 90+90/110+110 | 1070*1600      | Φ550               | 6-15             | 5630*3160*3200 | Approx 16000      |
| WLP1216 | 132+132       | 1200*1600      | Φ590               | 6-15             | 5800*3500*3500 | Approx 24000      |
| WLP1220 | 200+200       | 1280*2100      | Φ650               | 5-12             | 6700*3700*3600 | Approx 29000      |

# WLD SERIES

— single shaft shredder —

## APPLICATION



Head material



Plastic bottle



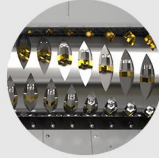
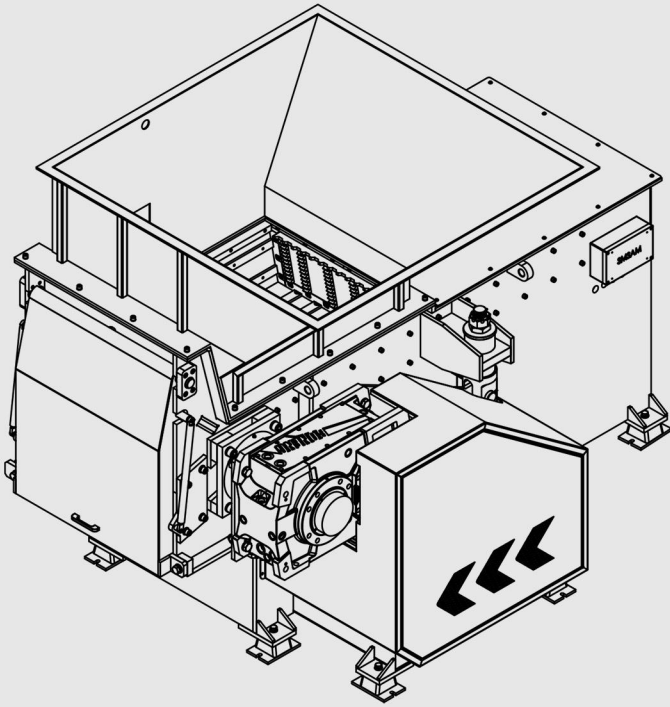
Pipe



Textile

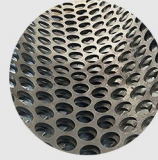


Residual



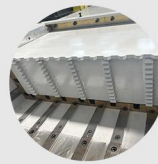
### Rotor blades

Made of high wear-resistant and corrosion-resistant alloy, long service, repairable and easy to replace.



### Sieve

Separate sieves, can be replaced independently; specific sieve aperture to ensure discharging size.



### Push box

Made of brass, wear-resistant, can be replaced and adjusted, ensuring pushing speed is constant and the shredding box is sealed.



### Hydraulic system

Equipped with manual speed adjustment and air cooling device.



WLD600



WLD800 | WLD1000 | WLD1200 | WLD1400

## SPECIFICATION

| Model   | Power(kw) | Blade size(mm) | Blade diameter(mm) | Rated speed(rpm) | Dimension(mm)  | N.W.(kg)    |
|---------|-----------|----------------|--------------------|------------------|----------------|-------------|
| WLD600  | 18.5+2.25 | 600*500        | Φ220               | 80               | 1790*1400*1760 | Approx 1800 |
| WLD800  | 45+3.75   | 800*780        | Φ400               | 80               | 2760*1790*1870 | Approx 4200 |
| WLD1000 | 55+3.75   | 1000*780       | Φ400               | 80               | 2780*2265*2100 | Approx 4900 |
| WLD1200 | 75+5.5    | 1200*780       | Φ400               | 80               | 2760*2500*2020 | Approx 5200 |
| WLD1400 | 90+5.5    | 1400*780       | Φ400               | 80               | 2780*2730*2150 | Approx 7400 |

# WLDX SERIES

— single shaft shredder —

## APPLICATION



Domestic garbage



Textile



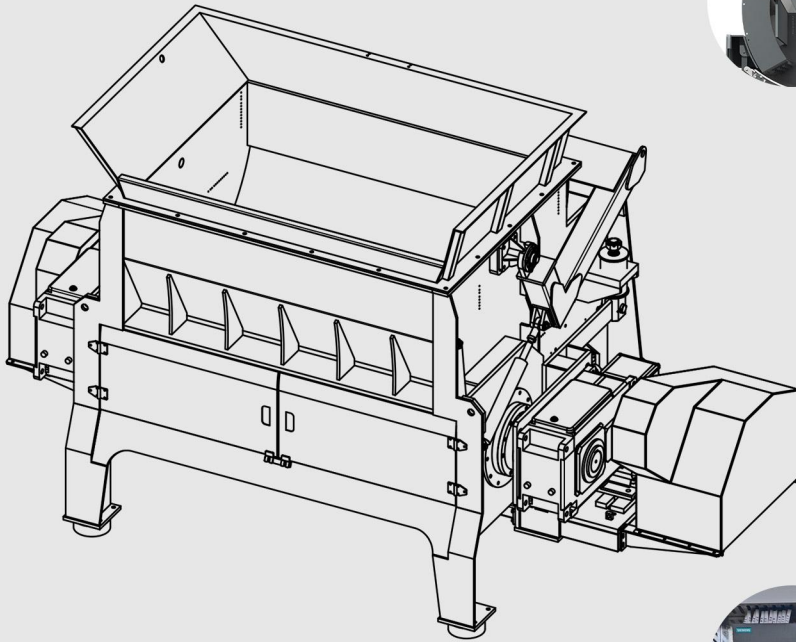
Cardboard



Crop straw

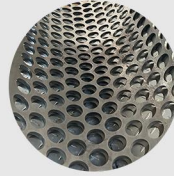


Plastic film



## Incline pusher

Driven by hydraulic pressure, high efficiency pushing, reducing no-load loss. The incline design allows materials to fall directly into the crushing chamber.



## Sieve

One button to open, adjust the size of output only need to replace the sieve, convenient and low cost.



## Curved access door

Driven by hydraulic device, quick and convenient to open, saving time for maintenance.



## PLC control system

Siemens LCD screen, real time monitoring, abnormal alarm, remote diagnosis, data analysis, intelligent operation and maintenance.



WLDX1500



WLDX2000



WLDX3000

## SPECIFICATION

| Model    | Power(kw)  | Length of knife roll(mm) | Blade diameter(mm) | Rated speed(rpm) | Dimension(mm)  | N.W.(kg)     |
|----------|------------|--------------------------|--------------------|------------------|----------------|--------------|
| WLDX1500 | 110+11     | 1500                     | Φ480               | 80               | 2210*3660*2700 | Approx 11800 |
| WLDX2000 | 75+75+11   | 2000                     | Φ480               | 80               | 2220*4600*2700 | Approx 17500 |
| WLDX3000 | 160+160+11 | 3000                     | Φ800               | 80               | 2600*5200*4500 | Approx 24800 |

# WLDH SERIES

— single shaft shredder —

## APPLICATION



Can



Conduit



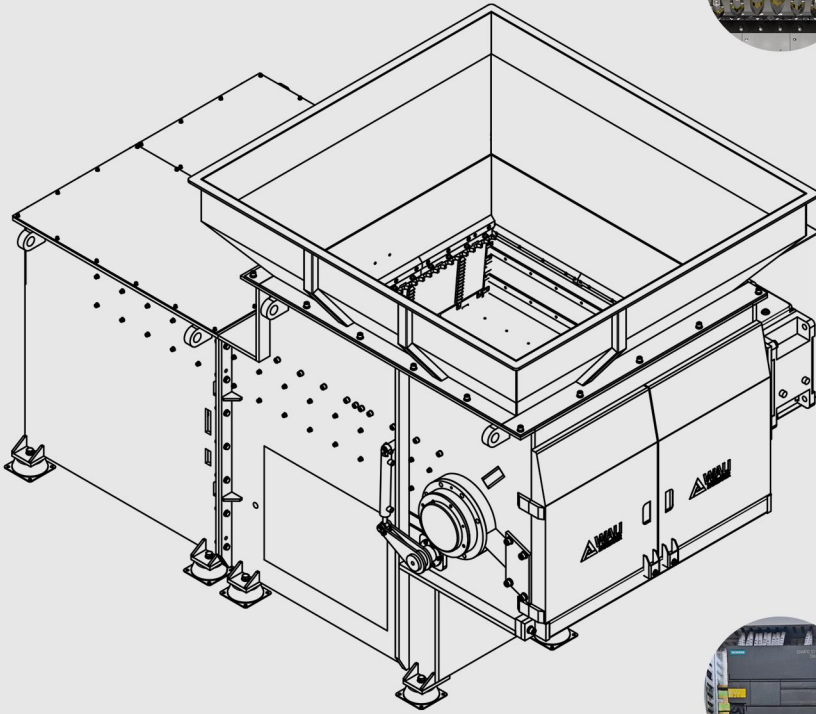
Cable



Domestic  
garbage

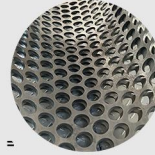


Textile



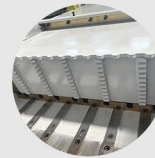
## Blades

Selected Japanese DAIDO DC53 steel material, the blades can be switched to different angle for reusing. Fixed blades can be adjusted to maintain the gap with the cutting blades.



## Sieve

Being easy to replace, strong interchangeability, having multiple shapes to choose for screen hole.



## Push box

Being made of brass, being more wear-resistant, adjusted and replaceable, keeping the smooth pushing, ensuring the sealing of the crushing chamber.



## Hydraulic system

Equipped with manual speed adjustment and air cooling device.



## PLC controlling system

Siemens LCD screen, real time monitoring, abnormal alarm, remote diagnosis, data analysis, intelligent operation and maintenance.



WLDH1500



WLDH2000P



WLDH2200

## SPECIFICATION

| Model    | Power(kw) | Blade size(mm) | Blade diameter(mm) | Rated speed(rpm) | Dimension(mm)  | N.W.(kg)     |
|----------|-----------|----------------|--------------------|------------------|----------------|--------------|
| WLDH1500 | 90+7.5    | 1500*1000      | Φ480               | 80               | 3700*2940*2520 | Approx 11200 |
| WLDH2000 | 2X75+7.5  | 2000*1000      | Φ480               | 80               | 3710*4150*2530 | Approx 14200 |
| WLDH2200 | 110+7.5   | 2200*1000      | Φ480               | 80               | 3710*3630*2720 | Approx 11500 |



Scrap car shell



Hazardous waste



Scrap tyre



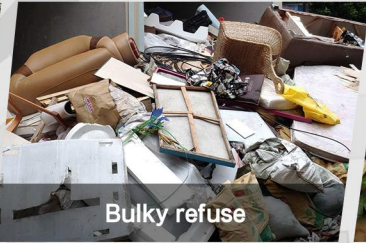
Confidential destruction



Medical waste



Domestic garbage



Bulky refuse



Kitchen waste



Waste woven bags



Waste film



Headstock



Scrap cloth

## Anhui Wali Environmental Protection Equipment Co.,Ltd.

ADDRESS: Wali equipment park, High-tech industrial zone, Bowang district, Maanshan city, Anhui,China

EMAIL: [lucy@cnwali.com](mailto:lucy@cnwali.com)

WEB: [www.walirecycling.com](http://www.walirecycling.com)

TEL: 18196598635