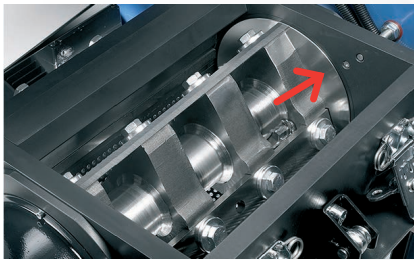


JM Series 20

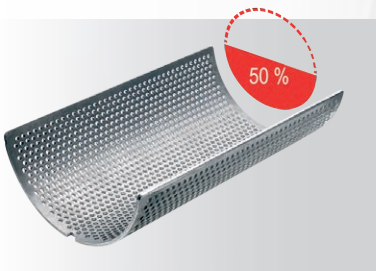


Your recycling needs. Our grinding solutions.

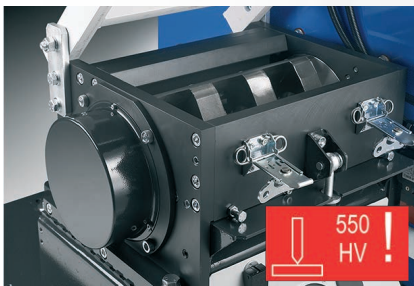
Technical moulds, reinforced materials, lack of fine parts, minimum noise level, and uniform regrind material, easy and limited maintenance: since many years the series JM has become the most reliable solution for the in-line recovery with injection moulding machines.



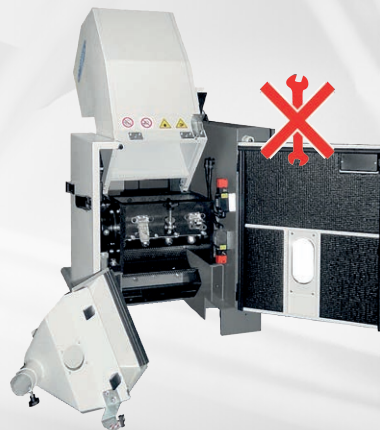
Rotary discs integral with the rotor and containment rings.
Scissors cutting configuration.



Screen surface equal to approx. 50% of the knives rotation length.



Grinding chamber in antiwear execution 550 HV. Roller bearings, mounted to the grinding chamber and fixed to the circumference.



Access without tools to the main parts subject to ordinary maintenance.
Moving on castors.



Integrated electric control panel. Safety devices and circuit in compliance with EEC Directives.

JM Series 20

FEATURES JM 3220

Feeding opening (mm): 320 x 200
 Nr. rotating / fixed knives: 3 / 2
 Rotor speed (RPM): 315
 Rotor diameter (mm): 180
 Motor (kW): 3
 Weight (kg): 320
 Standard screen (mm): 5
 Indicative throughput (kg/hr): 40 ÷ 60

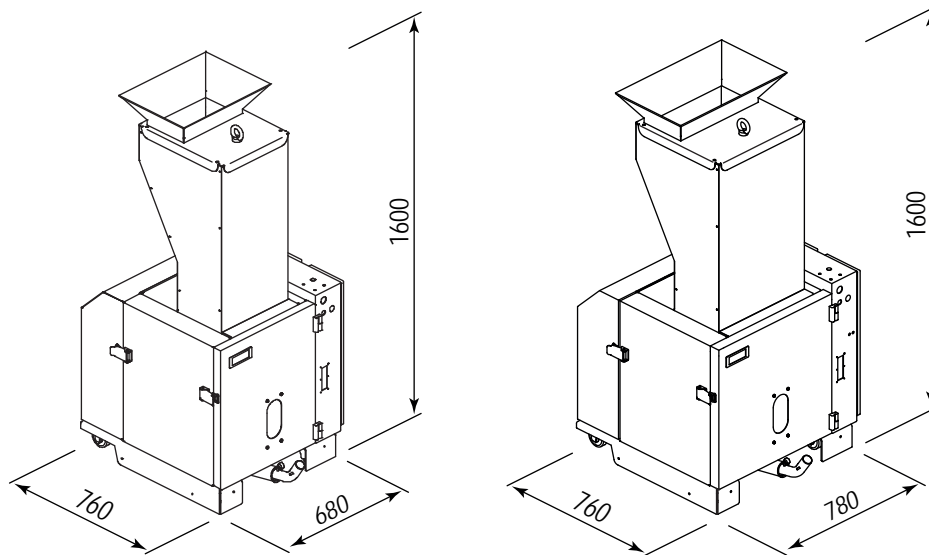
FEATURES JM 4220

Feeding opening (mm): 420 x 200
 Nr. rotating / fixed knives: 3 / 2
 Rotor speed (RPM): 315
 Rotor diameter (mm): 180
 Motor (kW): 3
 Weight (kg): 380
 Standard screen (mm): 5
 Indicative throughput (kg/hr): 50 ÷ 80

OPTIONAL

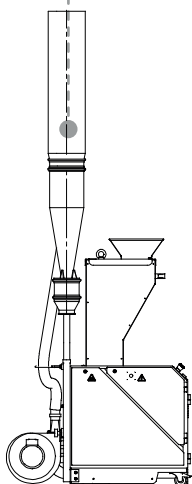
- A) Knives and screen in antiwear execution
- B) Soundproof rigid flap
- C) Not soundproof version
- D) Level control
- E) Discharge for hopper loader
- F) Discharge with auger screw
- G) EC extractor with storage
- H) Discharge with suction group on board
- I) Discharge with suction group not on board

DIMENSIONS

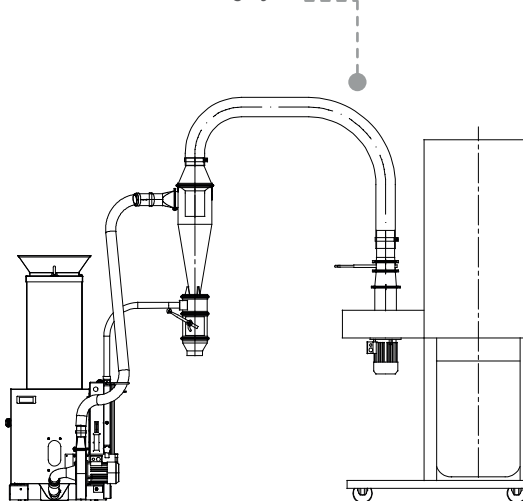


ACCESSORIES

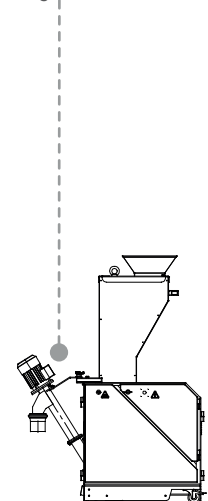
Suction group on board



Dust removing system



Auger screw



Your recycling needs. Our grinding solutions.

TRIA Italy
www.trioplastics.com

TRIA America
 TRIA Brazil

TRIA China
 TRIA Germany